



Allure

Specifications Guide / Valid until April 2026

Please Note: Items are subject to change without prior notice. This spec book is missing some updated information, so to stay up to date with product specifications and modification options please use our digital spec book which can be found at <https://ezpricing.fabuwood.com/specbook>

New! Interactive Index

Specbook Updates	III	Base Cabinets	27	Valances	66
Construction Specifications	IV	Base Cabinets	27	Posts	67
Q12®	VI	Sink Base Cabinets	31	Pilasters & Corbels	68
Limited Lifetime Warranty	VII	Specialty Base Cabinets	33	Moldings (8')	70
Door Styles	VIII	Tall Cabinets	34	Panels	74
Sample Doors	XI	24" Deep Tall Pantry Cabinets	34	Paint & Touch Up Kits	78
Sales Tools	XIII	12" Deep Tall Pantry Cabinets	35	Hafele Lighting	79
Wall Cabinets	1	Oven Cabinets	36	Under-Cabinet Lighting	79
12"- 27" High Wall Cabinets	1	Vanity Cabinets	39	Modifications	83
12"- 24" High & 24" Deep Wall Cabinets	3	Vanities	39	Cut Modifications	84
30" High Wall Cabinets	4	Vanity Platforms	44	Pipe Chase	87
36" High Wall Cabinets	6	ADA Cabinets	47	Create Returns	89
42" High Wall Cabinets	8	ADA Base Cabinets	47	Custom Columns	90
Glass Doors	10	ADA Vanities	48	Custom Doors	91
Doors Prepped for Glass	11	Cabinet Accessories	50	Customizations	92
Specialty Wall Cabinets	12	Waste Solutions	50	Upgrades	101
Microwave Wall Cabinets	15	Base Accessories	51	Loose Parts	102
Wine Cabinets	17	Base & Wall Accessories	55	Height Alignment Guide	104
Hoods	18	Wall Accessories	56	SKU Glossary	108
Euro & Farmhouse Hoods	18	Sink Accessories	58		
Signature Hoods	19	Drawer Accessories	59		
Curved Artisan Hoods	20	Vanity Accessories	63		
Arched Hoods	21	Decorative Accessories	65		
Hood Liner Specifications	22	Fillers	65		
Hood Ventilation Systems	25				

Construction Specifications

Doors and Drawer Fronts:

Doors and drawer fronts in the Allure line are made of solid wood stiles and rails joined together using mortise and tenon joints with an MDF center panel to reduce the possibility of shrinkage and is the preferred material for painted finishes.

Hinges:

All Allure door styles come standard with Blum Compact Clip Concealed Hinges and feature Quick-Release Technology with Blumotion Soft-close. Hinges are six-way adjustable and open at 110°.

Please note: Lazy Susan, Easy Reach, and Pie Cut cabinets do not feature the soft-close mechanism.

Drawers:

The Allure line includes a 5/8" thick solid wood dovetail drawer box with a 3/8" plywood bottom attached to Tandem plus Blumotion full extension soft-closing concealed drawer runners. Interior drawer height is 3".

Shelving:

18mm (3/4") thick select veneered plywood with matching wood veneer edge banding is used on all wall, tall, and base cabinetry where applicable. The adjustable shelves are supported by metal shelf clips. All standard depth base cabinetry includes an 18" deep adjustable shelf, wall cabinetry 10 5/8" deep adjustable shelves, and tall cabinetry 21" deep adjustable shelves.

Cabinet Sides, Backs, Tops and Bottoms:

1/2" thick veneered plywood with natural finished interiors, dovetailed side panels engineered to create a solid integrated cabinet box. Backs are stapled and screwed into place for additional support.

Face Frame:

3/4" x 1 1/2" solid wood stiles and rails jointed with glue and dowels. Back of face frames are dovetail grooved to accept side panels. The face frame is engineered so that the bottoms of all base and wall cabinets are flushed with the top inside edge of the face frame creating a custom look.

Toe Kick:

Base and tall cabinets are constructed with 3/4" x 4 1/2" unfinished plywood* toe kick. Additional 8-foot lengths of 1/4" toe kicks are available in matching color to our cabinetry.

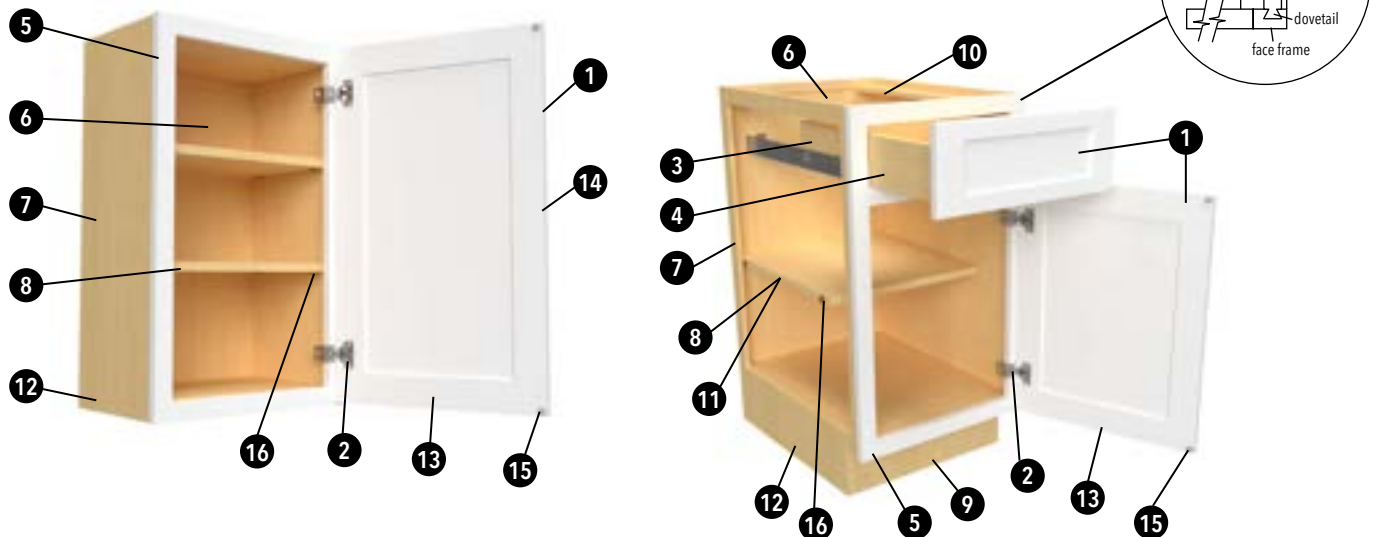
Panel Beams:

2 1/2" x 1/2" plywood* panel beam is fastened into a dovetail groove at the top of each base cabinet to ensure a straight fully integrated side, and for use of support and mounting of a countertop.

* *May come in finish other than natural ply, this does not denigrate the quality of material or structure of the cabinet.*

Construction Specifications

- 1 Solid wood door and drawer front frames are mortise and tenon.
- 2 Compact Clip Hinges with Quick-Release technology. Includes Blumotion soft-close mechanism integrated in six-way adjustable hinges. Hinges open at 110°
- 3 5/8" solid wood dovetail drawer with a 3/8" plywood bottom features Tandem plus Blumotion full extension concealed drawer runners.
- 4 3" interior drawer height.
- 5 3/4" x 1 1/2" solid wood face frame.
- 6 1/2" veneered plywood back with a natural finished interior.
- 7 1/2" unfinished plywood side panels dovetailed into face frame.
- 8 18mm (3/4") veneered plywood adjustable shelving with matching wood veneer edge banding.
- 9 3/4" x 4 1/2" unfinished plywood toe kick attached to cabinet. Matching 1/4" Toe Kick cover to be ordered separately.
- 10 2 1/2" x 1/2" plywood* panel beams dovetailed into the side panels for strength and stability.
- 11 Base cabinet has 18" deep shelf.
- 12 When placing an order, need to select exposed sides; Right, Left or Both. A 1/4" select medium-density fiberboard panel will be applied to the selected side(s), and the side will be near flush finished.
- 13 Doors and drawers are full overlay
- 14 Wall cabinet has a full overlay door. Crown molding should be installed using STRM-8 Starter Molding or similar molding bracing.
- 15 Rubber bumpers for door and drawer fronts.
- 16 Adjustable shelf clips.



* May come in finish other than natural ply, this does not denigrate the quality of material or structure of the cabinet.

Featuring





What exactly defines a Q12 cabinet?

To fully achieve Q12 eligibility, a cabinet must encompass twelve unique standards of quality. Read below to learn more about the twelve fundamental pillars that establish the Q12 qualification:

Q1: CAREFULLY SELECTED ELEMENTS

To ensure the absolute integrity of our product, each element is carefully selected. We start by choosing only "Grade-A" materials and make no compromises along the way.

Q2: PRO-TOUCH TECHNIQUES

Our Allure and Illume cabinets offer high-end finishes that are as beautiful as they are durable and practical. Fabuwood's distinctive pro-touch techniques allow for a sustainable and resilient cabinet finish that is not only easy to clean but will retain its beautiful luster for years.

Q3: ADVANCED CONSTRUCTION

Our Allure Dovetail and Illume Threespine® construction methods are superior, innovative, and built for a lifetime of use. Fabuwood offers cabinets of the utmost strength, on par with the highest industry standards. Our attention to detail, coupled with advanced construction techniques, means a long lasting, superior quality cabinet every time.

Q4: ANTI-WARP STRUCTURES

All our cabinets are engineered in a way that eliminates warping, ensuring the cabinets hold up against elemental pressures. Crafted to perfection, every detailed component is created with unfailing durability. Each cabinet we produce is held to a high standard, ensuring long-lasting reliability.

Q5: METAL SHELF CLIPS

To maintain a maximum level of stability that preserves a shelf's longevity, these metal shelf clips assure sturdiness and durability. With this feature your shelves are sure to stand the test of time.

Q6: TOUGH BACK BUILDS

For superior structural longevity, the back builds on the Allure and Illume series are built tough and easy to install. Our rigorous pressure testing guarantees that our products won't give in.

Q7: FLUSH FIT

To achieve an attractive appearance that is convenient and practical, our Q12 cabinets are built with a flush fit to ensure smooth surfaces and easy in-and-out access.

Q8: UNIQUE INTERIORS

The interior finish of our cabinets is as important as the exterior. Fabuwood offers high end, unique interior finishes for a clean and sophisticated look.

Q9: ONE-CLICK INSTALLATION

In addition to our soft-close action feature, the cutting-edge Blum Compact Clip Hinge allows for lightning-fast one-click installation and release.

Q10: FLUID FULL-EXTENSION

Our cabinets are built with smooth full-extension glides to guarantee an enhanced running action that maximizes its storage to full capacity. Fabuwood manufactures its cabinets with Blum's tandem plus runners and soft-closing technology, utilizing space while also preventing damage and deterioration.

Q11: EZ LEVEL DRAWER FRONTS

On both framed and frameless products, to achieve an aesthetically graceful balance and ensure proper drawer alignment and function, our cabinets use an effortless system, utilizing a degree of mechanical precision for installing perfectly positioned drawer faces.

Q12: LIMITED LIFETIME WARRANTY

Our integrity-defining limited lifetime warranty is our commitment to quality and excellence. The warranty reflects our pledge to always back our cabinets while delivering an immaculate product. With precise crafting techniques, Q12 cabinets are poised for a lifetime of use.

Limited Lifetime Warranty

COVERAGE OF WARRANTY

Fabuwood Cabinetry Corp. ("Fabuwood") is pleased to provide the following limited warranty to the first residential purchaser on all cabinets sold in the United States and Canada by an authorized Fabuwood dealer. This warranty does not cover cabinets sold or shipped outside of the United States and Canada. A First Residential Purchaser ("First Residential Purchaser") is a person who purchases and installs the cabinets in a dwelling that is owned and used by that person as a primary or secondary home, or, in the case of a developer or builder, this limited warranty may be assigned to the initial purchaser who uses the dwelling as a primary or secondary home. This warranty, however, is not transferable to subsequent owners of the home. This limited warranty is subject to all limitations, exclusions, disclaimers and procedures set forth herein.

LIMITED LIFETIME WARRANTY (Only on Allure, Illume, Value Premium, and Quest series cabinets): Fabuwood warrants to the First Residential Purchaser that all cabinets purchased from Fabuwood will be free from all unnatural defects in material and workmanship in accordance with Fabuwood's Quality Standards under normal residential use as long as the First Residential Purchaser owns the home in which such cabinets are installed.

EXCLUSIONS

THIS WARRANTY SUPERSEDES ANY AND ALL PREVIOUS WARRANTIES BY FABUWOOD AND CONSTITUTES THE EXCLUSIVE REMEDY AGAINST FABUWOOD FOR ALL DEFECTS, DAMAGES AND WORKMANSHIP. THERE ARE NO IMPLIED WARRANTIES EXTENDING BEYOND THE TERMS OF THIS WARRANTY. TO THE MAXIMUM EXTENT PERMITTED BY APPLICABLE LAW, FABUWOOD SHALL NOT BE LIABLE FOR ANY INDIRECT, SPECIAL, PUNITIVE, INCIDENTAL OR CONSEQUENTIAL COSTS, EXPENSES OR DAMAGES (INCLUDING LOST PROFITS), EVEN IF THIS LIMITED LIFETIME WARRANTY IS DEEMED TO HAVE FAILED OF ITS ESSENTIAL PURPOSE. SOME STATES DO NOT ALLOW THE EXCLUSION OR LIMITATION OF INCIDENTAL OR CONSEQUENTIAL DAMAGES, SO THE ABOVE LIMITATION OR EXCLUSION MAY NOT APPLY TO YOU. THIS WARRANTY GIVES YOU SPECIFIC LEGAL RIGHTS, AND YOU MAY ALSO HAVE OTHER RIGHTS, WHICH VARY FROM STATE TO STATE. IT IS POSSIBLE THAT ONE OR MORE OF THE LIMITATIONS AND EXCLUSIONS IN THIS WARRANTY MAY NOT APPLY TO YOU. THE LIMITED LIFETIME WARRANTY ON ALLURE, ILLUME, VALUE PREMIUM AND QUEST SERIES CABINETS APPLIES ONLY TO PRODUCTS PURCHASED ON OR AFTER OCTOBER 1, 2024. VALUE PREMIUM & QUEST SERIES CABINETS PURCHASED PRIOR TO OCTOBER 1, 2024, AND ALLURE & ILLUME SERIES CABINETS PURCHASED BEFORE JANUARY 26, 2023, ARE NOT INCLUDED IN THE LIMITED LIFETIME WARRANTY AND ARE SUBJECT TO FABUWOOD'S LIMITED 5-YEAR WARRANTY.

LIMITATIONS

This warranty shall become void if the cabinets, cabinetwork, drawer slides or hinges are modified from its original form, improperly installed or damaged prior to or during the installation, or used in any way other than for residential purposes. This warranty covers only parts and materials of the cabinets as supplied by Fabuwood. This warranty does not cover any products used or installed in connection with cabinets, such as gas or electric appliances, countertops, or plumbing fixtures. It also does not cover Blum hinges or any other third-party manufactured accessories or enhancements.

This warranty does not apply to products installed in locations that do not maintain year-round environmental controls. This warranty shall not apply to damages caused by transportation, storage, dirt, chemicals, exposure to moisture, humidity or excessive heat or cold, nor does it cover the effects arising from normal wear and tear, misuse, neglect, accidents, alterations, improper use or failure to maintain properly, house settling, or acts of God. No installer, retailer, distributor, agent or employee of Fabuwood has the authority to alter the obligations or limitations in this warranty.

QUALITY STANDARDS

This warranty covers all damages and unnatural defects that are deemed as such under the Fabuwood Quality Standards. The Fabuwood Quality Standards, which will be provided to you by your Fabuwood dealer upon request, should be reviewed at the time a claim for warranty service is being considered. Fabuwood reserves the right to modify or change the Fabuwood Quality Standards at any time without notice.

DISCLAIMERS

The following is a brief recap of some of the characteristics of the wood and finishes on the cabinets you are about to purchase. Please read them carefully. If some of these characteristics concern you, please choose something else. We bring these characteristics to your attention so you will realize that Fabuwood will not be held responsible for these variations in your cabinetry. It is important to note that wood products claimed as defective are most often the result of

atmospheric conditions such as excess moisture and humidity. Fabuwood strongly recommends testing the intended location of the products for such conditions prior to installation.

WOOD AND COLOR VARIATIONS: Wood is a product of nature, and since no two trees are alike, cabinets may vary in color, texture and grain. Wood characteristics naturally occurring such as variations in color, grain, mineral streaks, pinholes and knots are not considered defects. Color variations in cabinets are also a natural occurrence due to species, age, character of cabinets, and exposure to UV light, smoke, certain household cleaners, sunlight, extreme temperatures, and other environmental conditions. For these reasons, new and/or replacement cabinets may not match display samples and/or existing cabinets. This may result in overall color variations and is not considered a defect.

WOOD DOORS, DRAWER FRONTS, AND FACE FRAMES: Wood by nature will undergo expansion and contraction movements over the years as it compensates and adjusts to ever changing atmospheric humidity and temperature conditions. It is very common for center panels on doors to shrink, expand or move during these changes. Typically, the panel will return to its normal position within a year once it has adjusted to seasonal changes. It is for these same reasons that it is very common for doors to warp during these periods. Doors that are warped up to ¼" are not considered defective. [Note: It is advisable to check if the door was properly installed, since doors that appear warped are very often the result of improper installation.] Painted doors, drawer fronts, and face frames may eventually have visible cracking around the joint areas, and cabinet colors may darken or lighten over time. These variations are considered to be the nature of the material in relation to their environmental exposure and are not covered under this Limited Lifetime Warranty.

PAINTED FINISHES: Plywood is a non-porous, smooth grained wood. Additionally, wood by nature undergoes periods of expansion and contraction while it adjusts to atmospheric conditions mentioned above. As such, finish stress lines may become visible on painted cabinets especially at the joints. Any such occurrence is not considered a defect.

GLAZED FINISHES: A glazed finish by character is an uneven finish. Some edges and profiles will be larger than others and glazing may vary cabinet to cabinet, door to drawer and item to item. This may result in overall color, texture, and finish variations but these are not considered defects.

WARRANTY PERFORMANCE

If a defect does occur within the terms and conditions of this warranty such defective part will be repaired or replaced by Fabuwood at its sole discretion. Fabuwood will not provide or pay for the cost of removal of defective product, transportation of defective, repaired or replaced product or installation of repaired or replaced product. If it is not commercially feasible to repair or replace a defective product, we may refund the original price paid by you for the defective product or provide a credit towards a similar type of product sold by us. Fabuwood will not be responsible for any shipping damages to the defective, replaced or repaired product. If defective item has been discontinued or is not available at the time, Fabuwood reserves the right to replace the item with the most similar item available in Fabuwood's inventory at that time. Fabuwood reserves the right to alter design, specifications and material without obligation to make similar changes to products previously manufactured. Fabuwood cannot guarantee that the finish of any replacement will exactly match the finish and appearance of the defective item due to the natural ageing process of the wood and finishes of the cabinets. Fabuwood may require at its discretion that the customer submit a clear photo, or that a company representative inspect the item being claimed before honoring this warranty.

CLAIMS

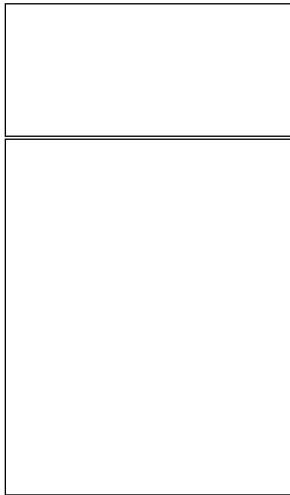
For a warranty claim made by the First Residential Purchaser to be considered, please contact the original Fabuwood-authorized dealer, who must file the claim through the Fabuwood EZ pricing system. In the event that the original dealer cannot be identified, or they have closed down, the warranty claim must be emailed to customerservice@fabuwood.com. The email should explain the issue and include pictures showing the claimed defects. Feel free to call +1 201-432-6555 ext. 1 for assistance.

NOTE

Please do not send back any items to Fabuwood prior to receiving proper Replacement Material Authorization ("RMA") from Warranty Support. Fabuwood takes no responsibility on any items sent back to Fabuwood without proper RMA.

Last Modified October 1, 2024: Change to include Value Premium, and Quest series cabinets under the Limited Lifetime Warranty. Previously Modified January 26, 2023: Change of the warranty on Allure and Illume series cabinets from a Limited 5-year Warranty to the Limited Lifetime Warranty.

Door Styles



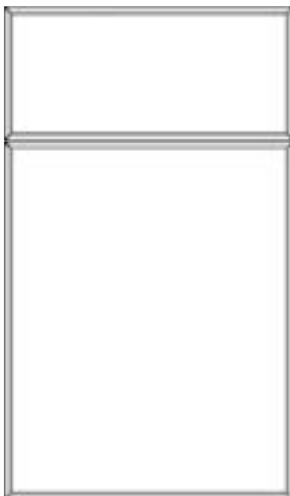
LUXE

COLOR	FINISH
Frost	Paint

- Full Overlay slab door
- Blum Compact Clip Concealed Hinges with Quick-Release Technology and Blumotion Soft-close (Blum Model# 31C3355B.20)
- Tandem plus Blumotion full extension concealed drawer runners (Blum Model #563H)

* **FINISH DISCLAIMER:**

Due to the nature of wood and the complex finishing processes used to generate stained finishes, there may be variations in color which are considered normal.



ECHO

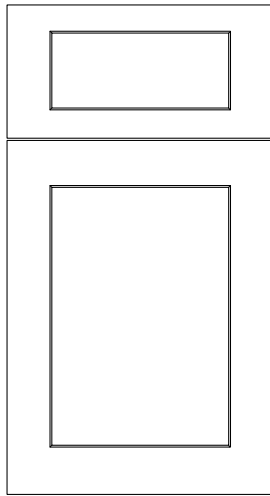
COLOR	FINISH
Dove	Paint
Mocha*	Stain
Timber*	Stain

- Full Overlay door
- Stiles and rails feature 45 degree mitered inner profile
- Door / drawer stiles and rails are 5/16" wide
- Constructed with applied profile molding
- Doors and Drawer fronts in the Echo door style are made with either Solid Wood Stiles & Rails (Stained Finishes) or HDF Stiles & Rails (Painted Finishes) and joined with a 5/8" thick Moisture-Resistant MDF/veneer center panel to reduce the possibility of shrinkage.
- 5-piece recessed panel drawer front matches door design and detail.
- Blum Compact Clip Concealed Hinges with Quick-Release Technology and Blumotion Soft-close (Blum Model# 31C3355B.20)
- Tandem plus Blumotion full extension concealed drawer runners (Blum Model #563H)

* **FINISH DISCLAIMER:**

Due to the nature of wood and the complex finishing processes used to generate stained finishes, there may be variations in color which are considered normal.

Door Styles



GALAXY

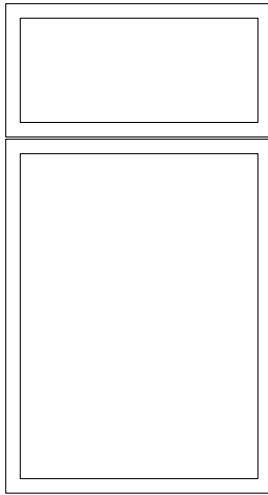
COLOR	FINISH
Dove	Paint
Frost	Paint
Indigo	Paint
Linen	Paint
Nickel	Paint
Pitch Black	Paint
Pistachio Green	Paint
Cobblestone*	Stain
Horizon*	Stain
Mocha*	Stain
Timber*	Stain
Desert Oak*	Stain

- Full overlay door
- Stiles and rails are ¾" thick and 2½" wide (reduced rails are 1 1/2" wide)
- Constructed with mortise and tenon joints
- Doors consist of 3/8" thick recessed MDF/veneer center panel
- 5-piece drawer fronts are 1/2" thick recessed MDF/veneer center panel that match door design and detail
- Blum Compact Clip Concealed Hinges with Quick-Release Technology and Blumotion Soft-close (Blum Model# 31C3355B.20)
- Tandem plus Blumotion full extension concealed drawer runners (Blum Model #563H)

* **FINISH DISCLAIMER:**

Due to the nature of wood and the complex finishing processes used to generate stained finishes, there may be variations in color which are considered normal.

Door Styles



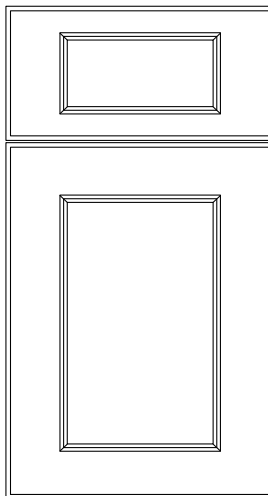
LUNA

COLOR	FINISH
Dove	Paint
Indigo	Paint
Kona*	Stain
Timber*	Stain
Desert Oak*	Stain

- Full Overlay door
- Door / drawer stiles and rails are 3/4" wide
- Constructed with applied profile molding
- Doors and Drawer fronts in the Luna door style are made with either Solid Wood Stiles & Rails (Stained Finishes) or HDF Stiles & Rails (Painted Finishes) and joined with a 5/8" thick Moisture-Resistant MDF/veneer center panel to reduce the possibility of shrinkage.
- 5-piece recessed panel drawer front matches door design and detail.
- Blum Compact Clip Concealed Hinges with Quick-Release Technology and Blumotion Soft-close (Blum Model# 31C3355B.20)
- Tandem plus Blumotion full extension concealed drawer runners (Blum Model #563H)

* **FINISH DISCLAIMER:**

Due to the nature of wood and the complex finishing processes used to generate stained finishes, there may be variations in color which are considered normal.



FUSION

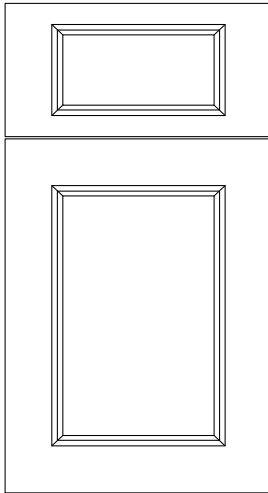
COLOR	FINISH
Dove	Paint
Nickel	Paint
Oyster	Paint
Stone	Paint
Kona*	Stain
Timber*	Stain

- Full overlay door
- Stiles and rails are 3/4" thick and 3" wide
- Constructed with mortise and tenon joints
- 3/8" thick reversed MDF / veneer center panel
- 5-piece recessed panel drawer front matches door design and detail.
- Blum Compact Clip Concealed Hinges with Quick-Release Technology and Blumotion Soft-close (Blum Model# 31C3355B.20)
- Tandem plus Blumotion full extension concealed drawer runners (Blum Model #563H)

* **FINISH DISCLAIMER:**

Due to the nature of wood and the complex finishing processes used to generate stained finishes, there may be variations in color which are considered normal.

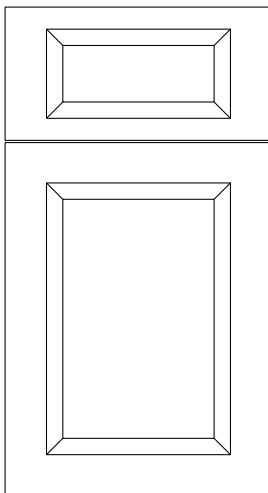
Door Styles



NEXUS

COLOR	FINISH
Frost	Paint

- Full overlay door
- Stiles and rails are ¾" thick and 3¼" wide
- Constructed with mortise and tenon joints
- ¾" thick reversed MDF center panel
- 5-piece recessed panel drawer front matches door design and detail.
- Blum Compact Clip Concealed Hinges with Quick-Release Technology and Blumotion Soft-close (Blum Model# 31C3355B.20)
- Tandem plus Blumotion full extension concealed drawer runners (Blum Model #563H)



ONYX

COLOR	FINISH
Frost	Paint
Cobblestone*	Stain
Horizon*	Stain

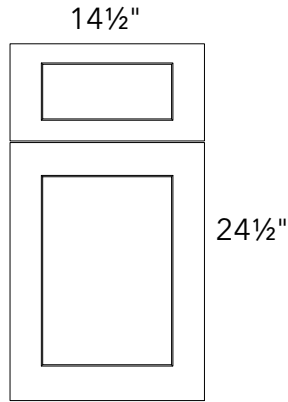
DISCONTINUED

- Full overlay door
- Stiles and rails are ¾" thick and 3" wide
- Constructed with mortise and tenon joints
- 3/8" thick reversed MDF / veneer center panel
- 5-piece recessed panel drawer front matches door design and detail
- Blum Compact Clip Concealed Hinges with Quick-Release Technology and Blumotion Soft-close (Blum Model# 31C3355B.20)
- Tandem plus Blumotion full extension concealed drawer runners (Blum Model #563H)

* **FINISH DISCLAIMER:**

Due to the nature of wood and the complex finishing processes used to generate stained finishes, there may be variations in color which are considered normal.

Sample Doors

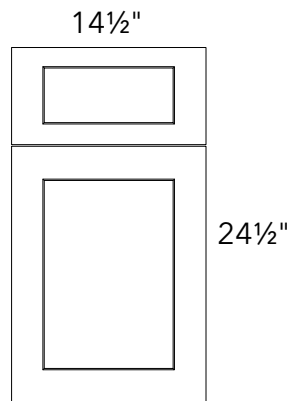


DOOR SAMPLES WITH DRAWER FRONT

ITEM	DESCRIPTION
SDLXF	LUXE FROST
SDLXDO	LUXE DESERT OAK
SDLXCO	LUXE CANYON OAK
SDECD	ECHO DOVE
SDECM	ECHO MOCHA
SDECTI	ECHO TIMBER
SDL D	LUNA DOVE
SDLK	LUNA KONA
SDLI	LUNA INDIGO
SDLTI	LUNA TIMBER
SDLTR	LUNA TRUFFLE
SDLDO	LUNA DESERT OAK
SDGF	GALAXY FROST
SDGL	GALAXY LINEN
SDGN	GALAXY NICKEL
SDGI	GALAXY INDIGO
SDGT	GALAXY TIMBER
SDGH	GALAXY HORIZON
SDGC	GALAXY COBBLESTONE
SDGD	GALAXY DOVE
SDGM	GALAXY MOCHA
SDGPB	GALAXY PITCH BLACK
SDGPG	GALAXY PISTACHIO GREEN
SDGTR	GALAXY TRUFFLE
SDGDO	GALAXY DESERT OAK
SDFN	FUSION NICKEL
SDFD	FUSION DOVE
SDFO	FUSION OYSTER
SDFS	FUSION STONE
SDFK	FUSION KONA
SDFTI	FUSION TIMBER
SDOF	ONYX FROST
SDOH	ONYX HORIZON
SDOC	ONYX COBBLESTONE
SDNF	NEXUS FROST

Pricing Note: Sales Tools are NET pricing; virtual multiplier applies to these items. Final price listed on Quote/Order will reflect the virtual multiplier.

Sample Doors



ALLURE DESIGNER COLOR DOOR SAMPLES WITH DRAWER FRONT

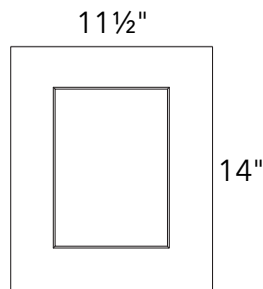
ITEM	DESCRIPTION
SDLCW	LUNA CLOUD WHITE
SDLDB	LUNA DENIM BLUE
SDLGB	LUNA GRAPHITE BLACK
SDLHG	LUNA HUNTER GREEN
SDLPB	LUNA PITCH BLACK
SDLPG	LUNA PISTACHIO GREEN
SDLSG	LUNA SAGE GREEN
SDLCR	LUNA CABERNET RED
SDLFG	LUNA FOREST GREEN
SDLMB	LUNA MACADAMIA BEIGE
SDLMG	LUNA MINT GREEN
SDLOP	LUNA ORCHID PURPLE
SDLIB	LUNA IZEL BLUE
SDGCW	GALAXY CLOUD WHITE
SDGDB	GALAXY DENIM BLUE
SDGGB	GALAXY GRAPHITE BLACK
SDGHG	GALAXY HUNTER GREEN
SDGSG	GALAXY SAGE GREEN
SDGCR	GALAXY CABERNET RED
SDGFG	GALAXY FOREST GREEN
SDGMB	GALAXY MACADAMIA BEIGE
SDGMG	GALAXY MINT GREEN
SDGOP	GALAXY ORCHID PURPLE
SDGIB	GALAXY IZEL BLUE
SDFCW	FUSION CLOUD WHITE

ITEM	DESCRIPTION
SDFDB	FUSION DENIM BLUE
SDFGB	FUSION GRAPHITE BLACK
SDFHG	FUSION HUNTER GREEN
SDFPB	FUSION PITCH BLACK
SDFPG	FUSION PISTACHIO GREEN
SDFSG	FUSION SAGE GREEN
SDFCR	FUSION CABERNET RED
SDFFG	FUSION FOREST GREEN
SDFMB	FUSION MACADAMIA BEIGE
SDFMG	FUSION MINT GREEN
SDFOP	FUSION ORCHID PURPLE
SDFIB	FUSION IZEL BLUE
SDOCW	ONYX CLOUD WHITE
SDODB	ONYX DENIM BLUE
SDOGB	ONYX GRAPHITE BLACK
SDOHG	ONYX HUNTER GREEN
SDOPB	ONYX PITCH BLACK
SDOPG	ONYX PISTACHIO GREEN
SDOSG	ONYX SAGE GREEN
SDOCR	ONYX CABERNET RED
SDOFG	ONYX FOREST GREEN
SDOMB	ONYX MACADAMIA BEIGE
SDOMG	ONYX MINT GREEN
SDOOP	ONYX ORCHID PURPLE
SDOIB	ONYX IZEL BLUE
SDNCW	NEXUS CLOUD WHITE
SDNDB	NEXUS DENIM BLUE
SDNGB	NEXUS GRAPHITE BLACK
SDNHG	NEXUS HUNTER GREEN
SDNPB	NEXUS PITCH BLACK
SDNPG	NEXUS PISTACHIO GREEN
SDNSG	NEXUS SAGE GREEN
SDNCR	NEXUS CABERNET RED
SDNFG	NEXUS FOREST GREEN
SDNMB	NEXUS MACADAMIA BEIGE
SDNMG	NEXUS MINT GREEN
SDNOP	NEXUS ORCHID PURPLE
SDNIB	NEXUS IZEL BLUE

• A Finish Surcharge will be applied to Designer Collection Sample Doors

Pricing Note: Sales Tools are NET pricing; virtual multiplier applies to these items. Final price listed on Quote/Order will reflect the virtual multiplier.

Sample Doors

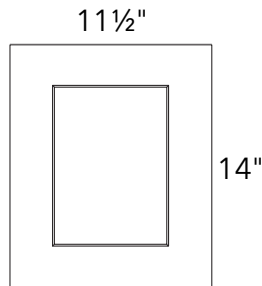


SMALL DOOR SAMPLES

ITEM	DESCRIPTION
SDLXF-2	LUXE FROST
SDLXDO-2	LUXE DESERT OAK
SDLXCO-2	LUXE CANYON OAK
SDECD-2	ECHO DOVE
SDECM-2	ECHO MOCHA
SDECTI-2	ECHO TIMBER
SDLDO-2	LUNA DOVE
SDLK-2	LUNA KONA
SDLI-2	LUNA INDIGO
SDLTI-2	LUNA TIMBER
SDLTR-2	LUNA TRUFFLE
SDLDO-2	LUNA DESERT OAK
SDGF-2	GALAXY FROST
SDGL-2	GALAXY LINEN
SDGN-2	GALAXY NICKEL
SDGI-2	GALAXY INDIGO
SDGT-2	GALAXY TIMBER
SDGH-2	GALAXY HORIZON
SDGC-2	GALAXY COBBLESTONE
SDGD-2	GALAXY DOVE
SDGM-2	GALAXY MOCHA
SDGPB-2	GALAXY PITCH BLACK
SDGPG-2	GALAXY PISTACHIO GREEN
SDGTR-2	GALAXY TRUFFLE
SDGDO-2	GALAXY DESERT OAK
SDFN-2	FUSION NICKEL
SDFD-2	FUSION DOVE
SDFO-2	FUSION OYSTER
SDFS-2	FUSION STONE
SDFK-2	FUSION KONA
SDFTI-2	FUSION TIMBER
SDOF-2	ONYX FROST
SDOH-2	ONYX HORIZON
SDOC-2	ONYX COBBLESTONE
SDNF-2	NEXUS FROST

Pricing Note: Sales Tools are NET pricing; virtual multiplier applies to these items. Final price listed on Quote/Order will reflect the virtual multiplier.

Sample Doors



ALLURE DESIGNER COLOR SMALL DOOR SAMPLES

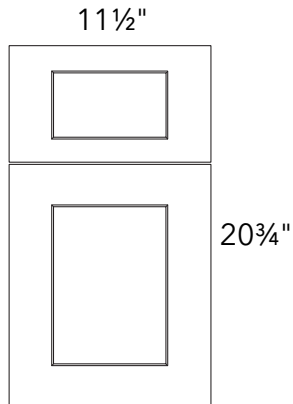
ITEM	DESCRIPTION
SDLCW-2	LUNA CLOUD WHITE
SDLDB-2	LUNA DENIM BLUE
SDLGB-2	LUNA GRAPHITE BLACK
SDLHG-2	LUNA HUNTER GREEN
SDLPB-2	LUNA PITCH BLACK
SDLPG-2	LUNA PISTACHIO GREEN
SDLSG-2	LUNA SAGE GREEN
SDLCR-2	LUNA CABERNET RED
SDLFG-2	LUNA FOREST GREEN
SDLMB-2	LUNA MACADAMIA BEIGE
SDLMG-2	LUNA MINT GREEN
SDLOP-2	LUNA ORCHID PURPLE
SDLIB-2	LUNA IZEL BLUE
SDGCW-2	GALAXY CLOUD WHITE
SDGDB-2	GALAXY DENIM BLUE
SDGGB-2	GALAXY GRAPHITE BLACK
SDGHG-2	GALAXY HUNTER GREEN
SDGSG-2	GALAXY SAGE GREEN
SDGCR-2	GALAXY CABERNET RED
SDGFG-2	GALAXY FOREST GREEN
SDGMB-2	GALAXY MACADAMIA BEIGE
SDGMG-2	GALAXY MINT GREEN
SDGOP-2	GALAXY ORCHID PURPLE
SDGIB-2	GALAXY IZEL BLUE
SDFCW-2	FUSION CLOUD WHITE

ITEM	DESCRIPTION
SDFDB-2	FUSION DENIM BLUE
SDFGB-2	FUSION GRAPHITE BLACK
SDFHG-2	FUSION HUNTER GREEN
SDFPB-2	FUSION PITCH BLACK
SDFPG-2	FUSION PISTACHIO GREEN
SDFSG-2	FUSION SAGE GREEN
SDFCR-2	FUSION CABERNET RED
SDFFG-2	FUSION FOREST GREEN
SDFMB-2	FUSION MACADAMIA BEIGE
SDFMG-2	FUSION MINT GREEN
SDFOP-2	FUSION ORCHID PURPLE
SDFIB-2	FUSION IZEL BLUE
SDOCW-2	ONYX CLOUD WHITE
SDODB-2	ONYX DENIM BLUE
SDOGB-2	ONYX GRAPHITE BLACK
SDOHG-2	ONYX HUNTER GREEN
SDOPB-2	ONYX PITCH BLACK
SDOPG-2	ONYX PISTACHIO GREEN
SDOSG-2	ONYX SAGE GREEN
SDOCR-2	ONYX CABERNET RED
SDOFG-2	ONYX FOREST GREEN
SDOMB-2	ONYX MACADAMIA BEIGE
SDOMG-2	ONYX MINT GREEN
SDOOP-2	ONYX ORCHID PURPLE
SDOIB-2	ONYX IZEL BLUE
SDNCW-2	NEXUS CLOUD WHITE
SDNDB-2	NEXUS DENIM BLUE
SDNGB-2	NEXUS GRAPHITE BLACK
SDNHG-2	NEXUS HUNTER GREEN
SDNPB-2	NEXUS PITCH BLACK
SDNPG-2	NEXUS PISTACHIO GREEN
SDNSG-2	NEXUS SAGE GREEN
SDNCR-2	NEXUS CABERNET RED
SDNFG-2	NEXUS FOREST GREEN
SDNMB-2	NEXUS MACADAMIA BEIGE
SDNMG-2	NEXUS MINT GREEN
SDNOP-2	NEXUS ORCHID PURPLE
SDNIB-2	NEXUS IZEL BLUE

• A Finish Surcharge will be applied to Designer Collection Sample Doors

Pricing Note: Sales Tools are NET pricing; virtual multiplier applies to these items. Final price listed on Quote/Order will reflect the virtual multiplier.

Sample Doors

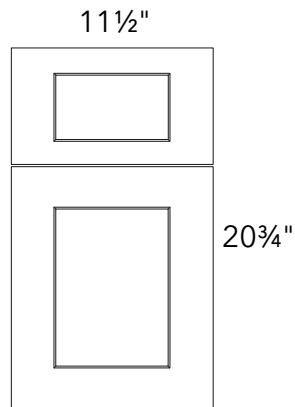


MEDIUM DOOR SAMPLES WITH DRAWER FRONT

ITEM	DESCRIPTION
SDLXF-3	LUXE FROST
SDLXDO-3	LUXE DESERT OAK
SDLXCO-3	LUXE CANYON OAK
SDECD-3	ECHO DOVE
SDECM-3	ECHO MOCHA
SDECTI-3	ECHO TIMBER
SDLD-3	LUNA DOVE
SDLK-3	LUNA KONA
SDLI-3	LUNA INDIGO
SDLTI-3	LUNA TIMBER
SDLTR-3	LUNA TRUFFLE
SDLDO-3	LUNA DESERT OAK
SDGF-3	GALAXY FROST
SDGL-3	GALAXY LINEN
SDGN-3	GALAXY NICKEL
SDGI-3	GALAXY INDIGO
SDGT-3	GALAXY TIMBER
SDGH-3	GALAXY HORIZON
SDGC-3	GALAXY COBBLESTONE
SDGD-3	GALAXY DOVE
SDGM-3	GALAXY MOCHA
SDGPB-3	GALAXY PITCH BLACK
SDGPG-3	GALAXY PISTACHIO GREEN
SDGTR-3	GALAXY TRUFFLE
SDGDO-3	GALAXY DESERT OAK
SDFN-3	FUSION NICKEL
SDFD-3	FUSION DOVE
SDFO-3	FUSION OYSTER
SDFS-3	FUSION STONE
SDFK-3	FUSION KONA
SDFTI-3	FUSION TIMBER
SDOF-3	ONYX FROST
SDOH-3	ONYX HORIZON
SDOC-3	ONYX COBBLESTONE
SDNF-3	NEXUS FROST

Pricing Note: Sales Tools are NET pricing; virtual multiplier applies to these items. Final price listed on Quote/Order will reflect the virtual multiplier.

Sample Doors



ALLURE DESIGNER COLOR MEDIUM DOOR SAMPLES WITH DRAWER FRONT

ITEM	DESCRIPTION
SDLCW-3	LUNA CLOUD WHITE
SDLDB-3	LUNA DENIM BLUE
SDLGB-3	LUNA GRAPHITE BLACK
SDLHG-3	LUNA HUNTER GREEN
SDLPB-3	LUNA PITCH BLACK
SDLPG-3	LUNA PISTACHIO GREEN
SDLSG-3	LUNA SAGE GREEN
SDLCR-3	LUNA CABERNET RED
SDLFG-3	LUNA FOREST GREEN
SDLMB-3	LUNA MACADAMIA BEIGE
SDLMG-3	LUNA MINT GREEN
SDLOP-3	LUNA ORCHID PURPLE
SDLIB-3	LUNA IZEL BLUE
SDGCW-3	GALAXY CLOUD WHITE
SDGDB-3	GALAXY DENIM BLUE
SDGGB-3	GALAXY GRAPHITE BLACK
SDGHG-3	GALAXY HUNTER GREEN
SDGSG-3	GALAXY SAGE GREEN
SDGCR-3	GALAXY CABERNET RED
SDGFG-3	GALAXY FOREST GREEN
SDGMB-3	GALAXY MACADAMIA BEIGE
SDGMG-3	GALAXY MINT GREEN
SDGOP-3	GALAXY ORCHID PURPLE
SDGIB-3	GALAXY IZEL BLUE
SDFCW-3	FUSION CLOUD WHITE

ITEM	DESCRIPTION
SDFDB-3	FUSION DENIM BLUE
SDFGB-3	FUSION GRAPHITE BLACK
SDFHG-3	FUSION HUNTER GREEN
SDFPB-3	FUSION PITCH BLACK
SDFPG-3	FUSION PISTACHIO GREEN
SDFSG-3	FUSION SAGE GREEN
SDFCR-3	FUSION CABERNET RED
SDFFG-3	FUSION FOREST GREEN
SDFMB-3	FUSION MACADAMIA BEIGE
SDFMG-3	FUSION MINT GREEN
SDFOP-3	FUSION ORCHID PURPLE
SDFIB-3	FUSION IZEL BLUE
SDOCW-3	ONYX CLOUD WHITE
SDODB-3	ONYX DENIM BLUE
SDOGB-3	ONYX GRAPHITE BLACK
SDOHG-3	ONYX HUNTER GREEN
SDOPB-3	ONYX PITCH BLACK
SDOPG-3	ONYX PISTACHIO GREEN
SDOSG-3	ONYX SAGE GREEN
SDOCR-3	ONYX CABERNET RED
SDOFG-3	ONYX FOREST GREEN
SDOMB-3	ONYX MACADAMIA BEIGE
SDOMG-3	ONYX MINT GREEN
SDOOP-3	ONYX ORCHID PURPLE
SDOIB-3	ONYX IZEL BLUE
SDNCW-3	NEXUS CLOUD WHITE
SDNDB-3	NEXUS DENIM BLUE
SDNGB-3	NEXUS GRAPHITE BLACK
SDNHG-3	NEXUS HUNTER GREEN
SDNPB-3	NEXUS PITCH BLACK
SDNPG-3	NEXUS PISTACHIO GREEN
SDNSG-3	NEXUS SAGE GREEN
SDNCR-3	NEXUS CABERNET RED
SDNFG-3	NEXUS FOREST GREEN
SDNMB-3	NEXUS MACADAMIA BEIGE
SDNMG-3	NEXUS MINT GREEN
SDNOP-3	NEXUS ORCHID PURPLE
SDNIB-3	NEXUS IZEL BLUE

• A Finish Surcharge will be applied to Designer Collection Sample Doors

Pricing Note: Sales Tools are NET pricing; virtual multiplier applies to these items. Final price listed on Quote/Order will reflect the virtual multiplier.

Sales Tools



MINI BASE SAMPLE

ITEM	DESCRIPTION
GF MBS	BASE SAMPLE 12"W X 21"H X 15"D

- Available in Allure Galaxy Frost, and Quest Metro Mist finish only.
- Cabinet exposed right side comes pre-finished with a near-flush finished end.



MOLDING CHAIN

ITEM	DESCRIPTION
MLK-ALLURE	COMPLETE CHAIN OF ALLURE MOLDINGS



COLOR BLOCKS

ITEM	DESCRIPTION
COLOR BLOCK	BOX OF COLOR BLOCKS
ADC COLOR BLOCK	BOX OF COLOR BLOCKS FOR ALLURE DESIGNER COLOR
CS-	LOOSE COLOR BLOCK



SAMPLE PACKAGES

ITEM	DESCRIPTION
SMALL SAMPLE PACKAGE	SMALL SAMPLE PACKAGE
DEALER PACKAGE	LITERATURE AND ACCESSORIES

Small Sample Package:

- Full Set of Small Sample Doors (door is 11-1/2" x 14"H)

Dealer Package:

- Full set of Large Sample Doors with Allure & Illume Signature colors (Includes Door & Drawer Front)
- One of each molding chain for Allure and Quest
- Full set of Color Blocks including Allure Signature, Allure Designer, & Illume Signature colors
- Digital Brochure Keychains (Pack of 25)
- Style Guide Brochure (Pack of 25)

Pricing Note: Sales Tools are NET pricing; virtual multiplier applies to these items. Final price listed on Quote/Order will reflect the virtual multiplier.

Sales Tools



TABLETOP DISPLAY BOARD

ITEM	DESCRIPTION
LED SHOWROOM DISPLAY	HAFELE LED DISPLAY

- LED Showroom Display Boards provide dealers with a simple way of showing off Hafele LED Lighting items
- Board Includes : Under Cabinet LED, Puck Light, Tunable LED, Driver, Mesh Connector, and Wall Switch
- 3/4" black HDPE board



DIGITAL BROCHURE

ITEM	DESCRIPTION
DIGITAL BROCHURE QR	QR CODE KEY RING

- Pack of 25 Key Rings



STYLE GUIDE

ITEM	DESCRIPTION
SGB26	STYLE GUIDE BROCHURE 2026 (25PK)

- 104 pages, 8" x 8"
- Fabuwood's Style Guide showcases an extensive range of customizations and design possibilities. Featuring hoods, vanities, door styles, color collections, and more, it offers everything needed to create unique and personalized spaces.

Pricing Note: Sales Tools are NET pricing; virtual multiplier applies to these items. Final price listed on Quote/Order will reflect the virtual multiplier.

Sales Tools



ACCESSORY BROCHURE

ITEM	DESCRIPTION
ACCESSORY BROCHURE	ACCESSORY BROCHURE (PACK OF 25)

- 52 pages, 8-1/2" x 11"
- Fabuwood's Accessory Brochure showcases a variety of stylish and practical add-ons, from organization features to innovative storage solutions, providing the finishing touches that enhance both the beauty and functionality of your cabinetry.



CUSTOMIZATION BROCHURE

ITEM	DESCRIPTION
CUSTOMIZATION BROCHURE	CUSTOMIZATION BROCHURE (PACK OF 25)

- 56 pages, 8-1/2" x 11"
- Fabuwood's Customization Brochure highlights a variety of modification options, enabling you to adjust every detail of your cabinetry.



VANITY BROCHURE

ITEM	DESCRIPTION
VANITY BROCHURE	VANITY BROCHURE (25PK)

- 44 pages, 8-1/2" x 11"
- Fabuwood's Vanity Brochure features a diverse selection of door styles, vanity platforms, and innovative storage solutions designed to elevate any space. With endless customization options, this brochure provides everything needed to inspire a beautifully personalized bathroom.

Pricing Note: Sales Tools are NET pricing; virtual multiplier applies to these items. Final price listed on Quote/Order will reflect the virtual multiplier.

Sales Tools



SELLING CENTER

ITEM	DESCRIPTION
DEALER SELLING CENTER	FABUWOOD SELLING CENTER
ACRYLIC LOGO 38X8	FABUWOOD ACRYLIC LOGO DISPLAY SIGN 38"X8"

Fabuwood Selling Center Display comes with:

- three (3) Base Cabinets, 12"W x 16"D
- FSC B12 include the following finishes: Illume Catalina Bianco Gloss, Allure Galaxy Nickel, & Quest Discovery Frost
- Full set of Large Sample Doors
- One of each molding chain for Allure, Quest
- Includes one Box set each of Color Blocks and Designer Collection Color Blocks
- Digital Brochure Keychains (Pack of 25)
- Pack of 25 Style Guide Brochures
- Acrylic Logo Sign included and available for separate purchase



Fabuwood Logo Sign:

- Now available as a stand-alone item for endless display options. Hang our sign amongst a gallery wall of Fabuwood Sample Doors, or pair with a Fabuwood vignette to create a unique Selling Center tailored to your individual showroom style.
- Acrylic sign predrilled with decorative chrome plated standoffs included.



SELLING STUDIO

ITEM	DESCRIPTION
DEALER SELLING STUDIO	FABUWOOD SELLING STUDIO

Fabuwood Selling Studio Display includes:

- Interactive Touch Monitor
- 32 Medium-Size Sample Doors
- 18 Mini Sample Doors
- Molding Chains in Allure & Quest
- Color Block Sets for Signature, Designer Collection & Illume
- Style Guide Brochures (Pack of 25)
- Wall and Base Mini Cabinets in Illume and Allure Constructions
- Fabuwood Logo Windows
- Remote Control Operated Lift-Up Top Door
- Storage Drawer (54-5/8"W x 5"H)

Custom Base Cabinets:

- (1) 18" Drawer Base Cabinet with a modified depth of 18"
- (2) 18" Base Cabinet with a modified depth of 18"

Pricing Note: Sales Tools are NET pricing; virtual multiplier applies to these items. Final price listed on Quote/Order will reflect the virtual multiplier.

Sales Tools

SAMPLE DOOR STAND

ITEM	DESCRIPTION
SAMPLE DOOR STAND	SAMPLE DOOR DISPLAY STAND

- Stand can be easily unassembled and re-assembled for storage or portability to trade shows
- Sample Door Display stand can hold up to nine sample doors
- Will accommodate sizing for all door styles



Shown with SD



Shown with SD-2



SAMPLE DOOR BAG

ITEM	DESCRIPTION
FABUWOOD SAMPLE DOOR BAG	PADDED SAMPLE DOOR BAG

- Accommodates 4 large sample doors

Pricing Note: Sales Tools are NET pricing; virtual multiplier applies to these items. Final price listed on Quote/Order will reflect the virtual multiplier.

12" - 27" High Wall Cabinets



12" - 21" HIGH

ITEM
W2412
W3012
W3312
W3612
* W1215
* W1515
* W1815
* W2115
W2415
W2715
W3015
W3315
W3615
* W1218
* W1518
* W1818
* W2118
W2418
W2718
W3018
W3318
W3618
**♦ W2421
** W3021
**♦ W3321
**♦ W3621

** Includes 1 shelf

* Single door cabinet

♦ Available for Galaxy - Frost, Dove, Indigo, Timber, & Desert Oak Only

24" HIGH DOUBLE DOOR

ITEM
W2424
W3024
W3324
W3624

12" - 24" High & 24" Deep Wall Cabinets



24" DEEP

ITEM
W301524
W301824
*♦ W302124
* W302424
W331224
W331524
W331824
*♦ W332124
* W332424
W361224
W361524
W361824
*♦ W362124
* W362424

* Includes 1 shelf

♦ Available for Galaxy - Frost, Dove, Indigo, Timber, & Desert Oak Only

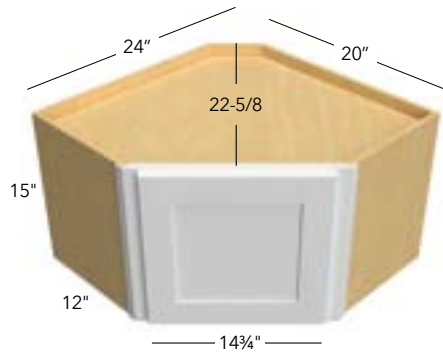


LIFT-UP

ITEM
W421224LU
W481224LU

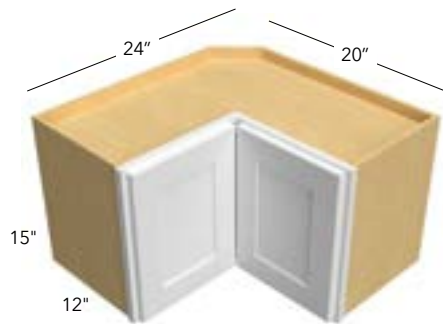


12" - 24" High & 24" Deep Wall Cabinets



DIAGONAL CORNER

ITEM
WDC2415
WDC2418

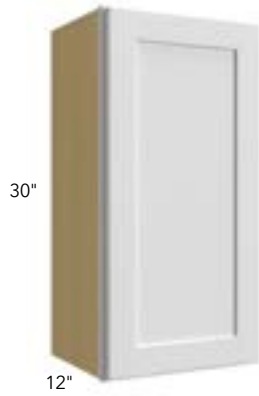


PIE CUT CORNER

ITEM
WPC2415
WPC2418

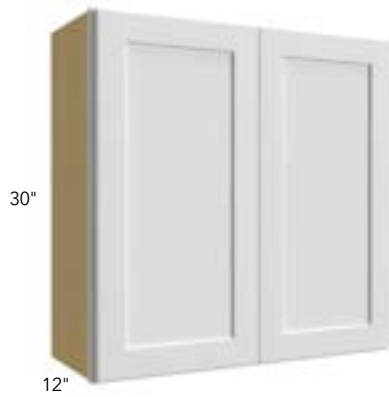
- *Soft close hinge not available*

30" High Wall Cabinets



SINGLE DOOR

ITEM
W0930
W1230
W1530
W1830
W2130



DOUBLE DOOR

ITEM
W2430
W2730
W3030
W3330
W3630
* W3930

* Includes 1½" center stile

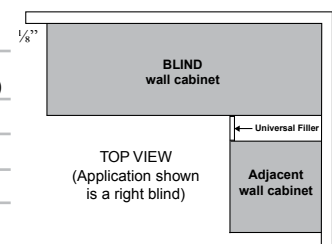


SINGLE DOOR BLIND

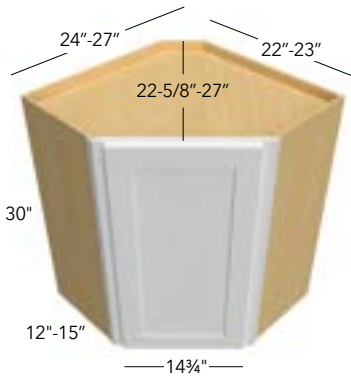
ITEM
WBC2430
WBC3030
WBC3630

- Must use filler on adjacent side (not supplied)
- Dimensions are rounded off to closest 1/8"

	Act.	Max	Door	Stile	Open (door side)
WBC2430	24"	27"	9½"	7"	7"
WBC3030	30"	33"	14¾"	7¾"	12¼"
WBC3630	36"	39"	21½"	7"	19"



30" High Wall Cabinets



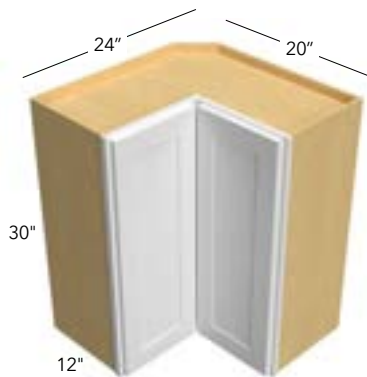
DIAGONAL CORNER

ITEM

WDC2430

* WDC2730

- * Cabinet exposed sides come pre-finished with near-flush finished ends.
- For Lazy Susan see accessories on page 60



PIE CUT CORNER

ITEM

WPC2430

- Soft close hinge not available



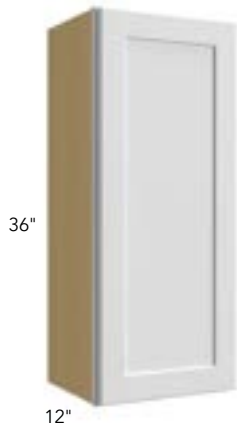
WALL WITH DRAWERS

ITEM

WD1848

- * Cabinet exposed sides come pre-finished with near-flush finished ends.
- Shelves and clips are shipped together loose and will come packaged separately from the cabinet.**

36" High Wall Cabinets



SINGLE DOOR

ITEM
W0936
W1236
W1536
W1836
W2136



DOUBLE DOOR

ITEM
W2436
W2736
W3036
W3336
W3636
* W3936

* Includes 1/2" center stile

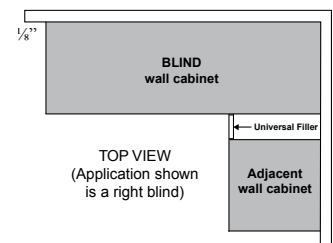


SINGLE DOOR BLIND

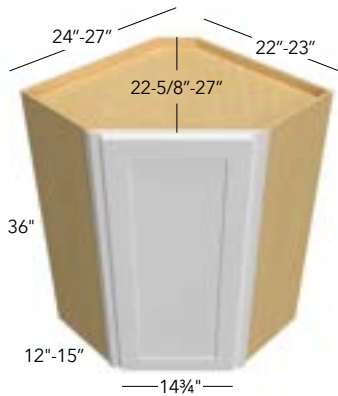
ITEM
WBC2436
WBC3036
WBC3636

- Must use filler on adjacent side (not supplied)
- Dimensions are rounded off to closest 1/8"

	Act.	Max	Door	Stile	Open (door side)
WBC2436	24"	27"	9 1/2"	7"	7"
WBC3036	30"	33"	14 3/4"	7 3/4"	12 1/4"
WBC3636	36"	39"	21 1/2"	7"	19"



36" High Wall Cabinets



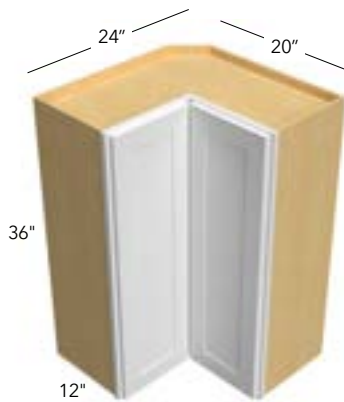
DIAGONAL CORNER

ITEM

WDC2436

* WDC2736

- * Cabinet exposed sides come pre-finished with near-flush finished ends.
- For Lazy Susan see accessories on page 60

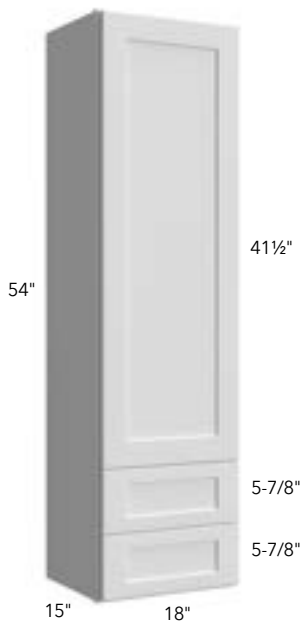


PIE CUT CORNER

ITEM

WPC2436

- Soft close hinge not available



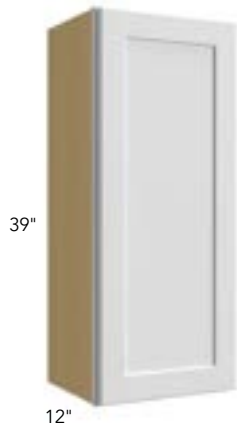
WALL WITH DRAWERS

ITEM

WD1854

- * Cabinet exposed sides come pre-finished with near-flush finished ends.
- Shelves and clips are shipped together loose and will come packaged separately from the cabinet.**

39" High Wall Cabinets



SINGLE DOOR

ITEM
W0939
W1239
W1539
W1839
W2139

Available for Galaxy - Frost, Dove, Indigo, Timber, & Desert Oak Only



DOUBLE DOOR

ITEM
W2439
W2739
W3039
W3339
W3639
* W3939

* Includes 1 1/2" center stile

Available for Galaxy - Frost, Dove, Indigo, Timber, & Desert Oak Only



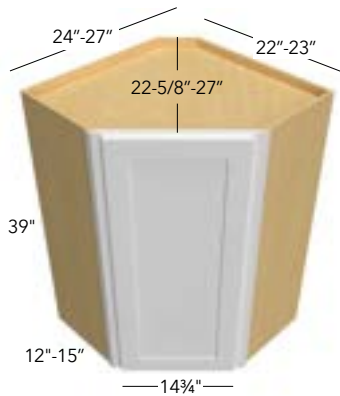
SINGLE DOOR BLIND

ITEM
WBC2439
WBC3039
WBC3639

- Must use filler on adjacent side (not supplied)
- Dimensions are rounded off to closest 1/8"

Available for Galaxy - Frost, Dove, Indigo, Timber, & Desert Oak Only

39" High Wall Cabinets



DIAGONAL CORNER

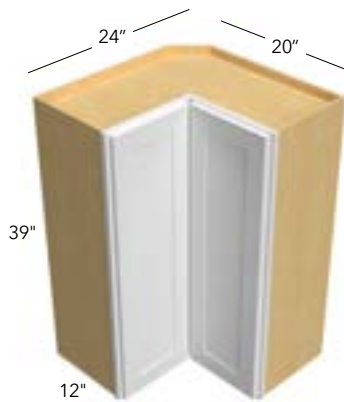
ITEM

WDC2439

WDC2739

- * Cabinet exposed sides come pre-finished with near-flush finished ends.
- For Lazy Susan see accessories on page 60

Available for Galaxy - Frost, Dove, Indigo, Timber, & Desert Oak Only



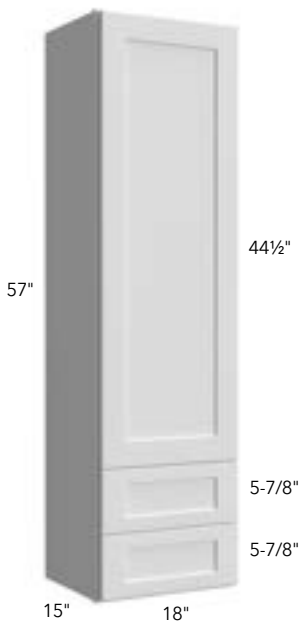
PIE CUT CORNER

ITEM

WPC2439

- Soft close hinge not available

Available for Galaxy - Frost, Dove, Indigo, Timber, & Desert Oak Only



WALL WITH DRAWERS

ITEM

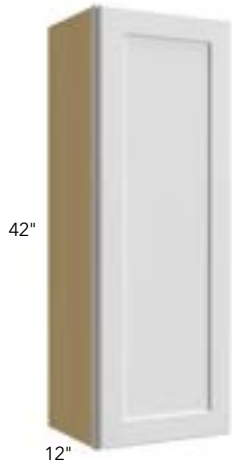
WD1857

- Cabinet exposed sides come pre-finished with near-flush finished ends.

Available for Galaxy - Frost, Dove, Indigo, Timber, & Desert Oak Only

Shelves and clips are shipped together loose and will come packaged separately from the cabinet.

42" High Wall Cabinets



SINGLE DOOR

ITEM
W0942
W1242
W1542
W1842
W2142



DOUBLE DOOR

ITEM
W2442
W2742
W3042
W3342
W3642
* W3942

* Includes 1½" center stile

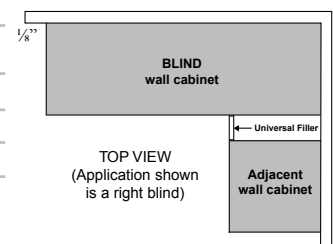


SINGLE DOOR BLIND

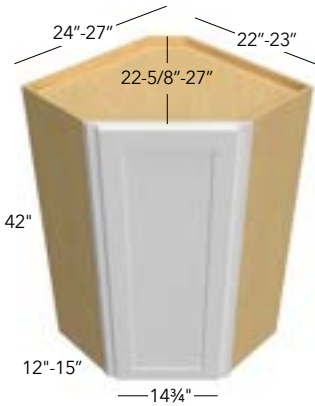
ITEM
WBC2442
WBC3042
WBC3642

- Must use filler on adjacent side (not supplied)
- Dimensions are rounded off to closest ¼"

	Act.	Max	Door	Stile	Open (door side)
WBC2442	24"	27"	9½"	7"	7"
WBC3042	30"	33"	14¾"	7¾"	12¼"
WBC3642	36"	39"	21½"	7"	19"



42" High Wall Cabinets



DIAGONAL CORNER

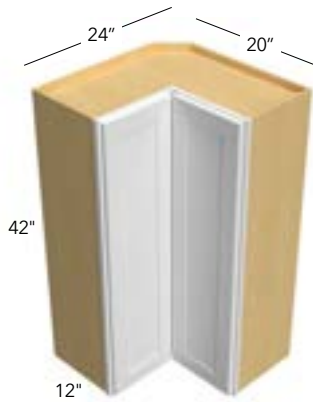
ITEM

WDC2442

* WDC2742

* Cabinet exposed sides come pre-finished with near-flush finished ends.

• For Lazy Susan see accessories on page 60

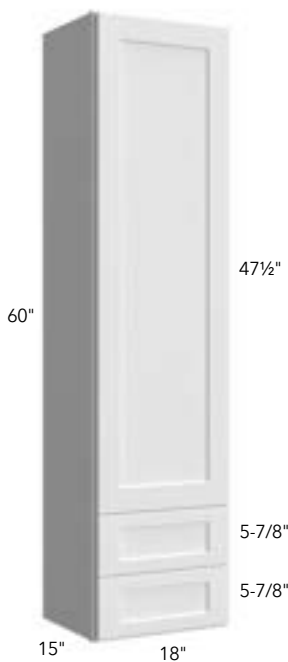


PIE CUT CORNER

ITEM

WPC2442

• Soft close hinge not available



WALL WITH DRAWERS

ITEM

WD1860

* Cabinet exposed sides come pre-finished with near-flush finished ends.

Shelves and clips are shipped together loose and will come packaged separately from the cabinet.

Glass Doors



29½"
35½"
41½"
47½"

GALAXY PROFILE SHOWN



29½"
35½"
41½"
47½"

LUNA PROFILE SHOWN

GLASS DOOR (CLEAR GLASS ONLY)

ITEM
DS GDW1530
DS GDW1536
◆ DS GDW1539
DS GDW1542
DS GDW1830
DS GDW1836
◆ DS GDW1839
DS GDW1842
DS GDW2430
DS GDW2436
◆ DS GDW2439
DS GDW2442
DS GDW3030
DS GDW3036
◆ DS GDW3039
DS GDW3042
DS GDW3630
DS GDW3636
◆ DS GDW3639
DS GDW3642
DS GDWD1857
DS GDWD1860
DS GDWDC2430
DS GDWDC2436
◆ DS GDWDC2439
DS GDWDC2442

- Door Set SKUs will include the necessary quantity of doors for the cabinet
- Glass doors are pre-installed with clear glass only
- ◆ Available for Galaxy - Frost, Dove, Indigo, Timber, & Desert Oak Only

Doors Prepped for Glass



29½"
35½"
41½"
47½"

GALAXY PROFILE SHOWN



29½"
35½"
41½"
47½"

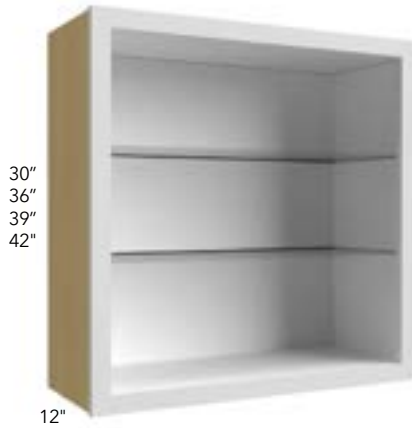
LUNA PROFILE SHOWN

DOOR PREPPED FOR GLASS

ITEM
DS DFG1530
DS DFG1536
DS DFG1539
DS DFG1542
DS DFG1830
DS DFG1836
DS DFG1839
DS DFG1842
DS DFG2430
DS DFG2436
DS DFG2439
DS DFG2442
DS DFG3030
DS DFG3036
DS DFG3039
DS DFG3042
DS DFG3630
DS DFG3636
DS DFG3639
DS DFG3642
DS DFGD2430
DS DFGD2436
DS DFGD2439
DS DFGD2442
DS DFGWD1857
DS DFGWD1860

- Door Set SKUs will include the necessary quantity of doors for the cabinet
- Glass not included in door
- Center panel removed; vinyl gasket is included for easy installation of glass in the field.

Specialty Wall Cabinets

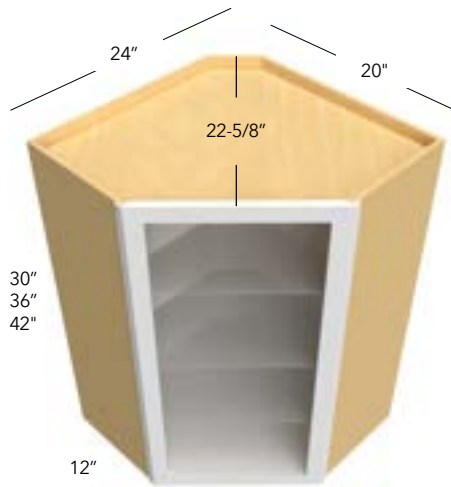


NO DOOR

ITEM
NDW1230
NDW1530
NDW1830
NDW2430
NDW3030
NDW3630
NDW1236
* NDW1536
* NDW1836
* NDW2436
* NDW3036
* NDW3636
*♦ NDW1539
*♦ NDW1839
*♦ NDW2439
*♦ NDW3039
*♦ NDW3639
NDW1242
* NDW1542
* NDW1842
* NDW2442
* NDW3042
* NDW3642

- Door not included in price. Designed to use with glass doors. See glass doors listed on pg. 12
- Has hinges installed
- Cabinet comes pre-drilled for hinges. Fabuwood can fill up hinge holes for additional charge.
- Finished interior to match color of frame
- Adjustable ¼" thick tempered glass shelves
- Increased or decreased depth cabinets will come with matching interior wood shelves instead of glass shelves.
- * Has three shelves
- ♦ Available for Galaxy - Frost, Dove, Indigo, Timber, & Desert Oak Only

Specialty Wall Cabinets



DIAGONAL CORNER NO DOOR

ITEM

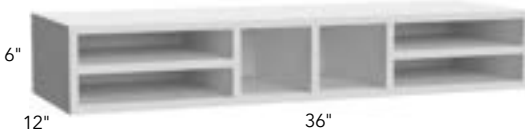
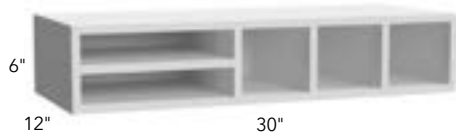
NDWDC2430

* NDWDC2436

*♦ NDWDC2439

* NDWDC2442

- Door not included. Designed to use with glass doors. See glass doors listed on pg. #12
- Cabinet comes pre-drilled for hinges. Fabuwood can fill up hinge holes for additional charge.
- Finished interior
- Adjustable 1/4" thick tempered glass shelves
- Increased or decreased depth cabinets will come with matching interior wood shelves instead of glass shelves.
- * Has three shelves
- ♦ Available for Galaxy - Frost, Dove, Indigo, Timber, & Desert Oak Only



WALL ORGANIZER

ITEM

WO306

WO366

- Veneer plywood with edge banding
- Finished Interior & Exterior

NOTE: Wall Organizer shelves by default will have visible screws on sides, top & bottom of cabinet. Modification is available for flush sides

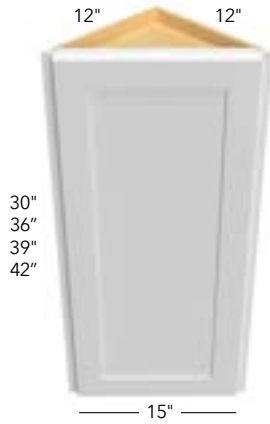


WALL APPLIANCE

ITEM

WAC3018

Specialty Wall Cabinets



ANGLE END

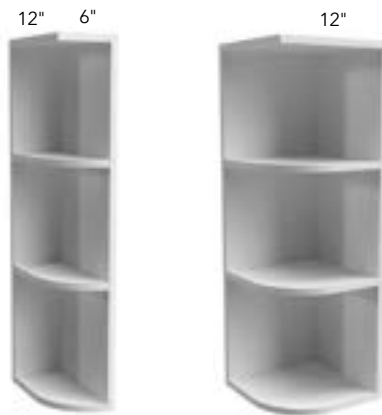
ITEM
WAE1230

* WAE1236

*♦ WAE1239

* WAE1242

- Can use with one GDW3030/GDW3036/GDW3042 Glass Door. Requires 1" overlay hinges (ordered separately)
- Adjustable shelves
- * Includes three shelves
- ♦ Available for Galaxy - Frost, Dove, Indigo, Timber, & Desert Oak Only



**OEL6 SHOWN
(OPENS TO LEFT SIDE)**

OPEN END

ITEM
OEL630
OEL636

*♦ OEL639

* OEL642

OER630
OER636

*♦ OER639

* OER642

OE1230
OE1236

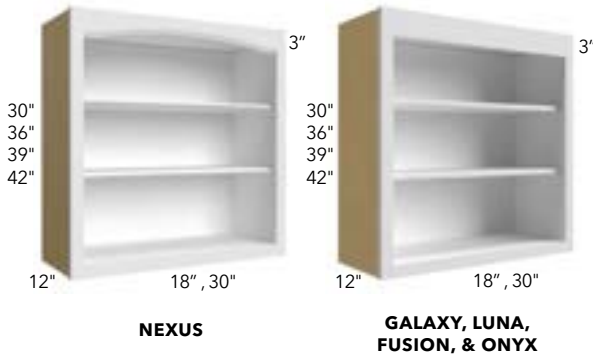
*♦ OE1239

* OE1242

- * Includes three shelves
- * For Square Bottom Shelf, see modifications available on pg.85
- ♦ Available for Galaxy - Frost, Dove, Indigo, Timber, & Desert Oak Only

NOTE: Open End Shelves will have visible screws on backs/sides of cabinet, as they are intended to be installed against two walls, or a wall and adjacent cabinet.

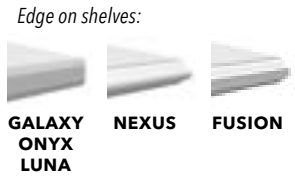
Specialty Wall Cabinets



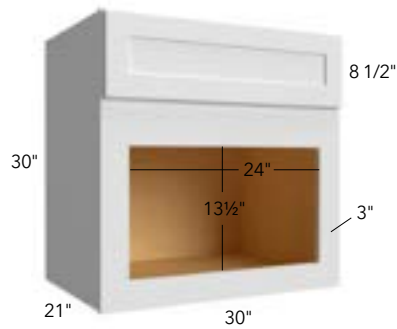
OPEN SHELF

ITEM
WOS1830
* WOS1836
*♦ WOS1839
* WOS1842
WOS3030
* WOS3036
*♦ WOS3039
* WOS3042

- * Includes three shelves
- Finished interior
- NEXUS: Arch valance
- Valance & shelf profile matches door style
- Adjustable shelves
- Increased depth cabinets will not have edge profile
- ♦ Available for Galaxy - Frost, Dove, Indigo, Timber, & Desert Oak Only



Microwave Wall Cabinets

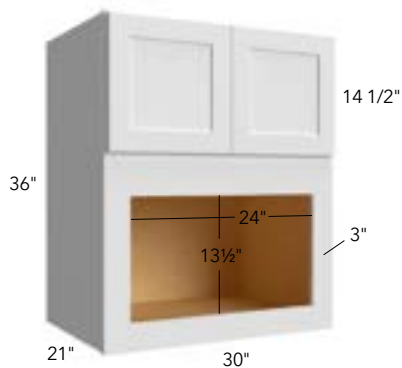


30" MICROWAVE

ITEM

MC303021

- Cabinet exposed sides come pre-finished with near-flush finished ends.
- 3" Wide rails face frame to be trimmed on site
- Minimum Width opening 24"
- Maximum **cut out** width 28 1/2"
- Minimum Height opening 13"
- Maximum **cut out** height is 19 3/4"
- Maximum **overall** trim kit height 21"
- Lift-up stay door

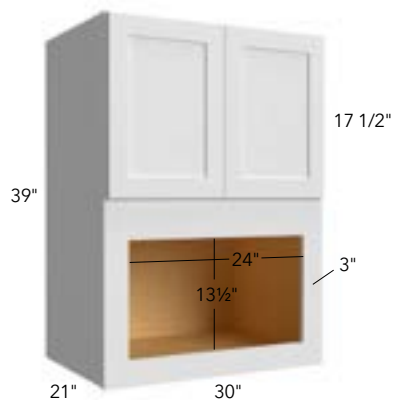


36" MICROWAVE

ITEM

MC303621

- Cabinet exposed sides come pre-finished with near-flush finished ends.
- 3" Wide rails face frame to be trimmed on site
- Minimum width opening 24"
- Maximum **cut out** width 28 1/2"
- Minimum Height opening 13"
- Maximum **cut out** height is 19 3/4"
- Maximum **overall** trim kit height 21"



39" MICROWAVE

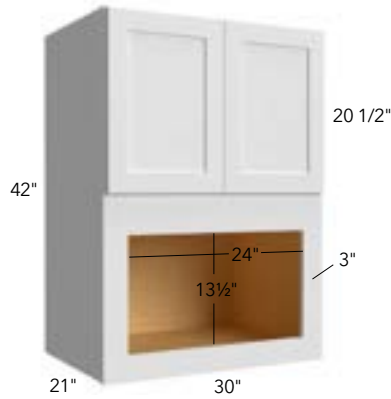
ITEM

MC303921

- Cabinet exposed sides come pre-finished with near-flush finished ends.
- 3" Wide rails face frame to be trimmed on site
- Minimum width opening 24"
- Maximum **cut out** width 28 1/2"
- Minimum Height opening 13"
- Maximum **cut out** height is 19 3/4"
- Maximum **overall** trim kit height 21"

Available for Galaxy - Frost, Dove, Indigo, Timber, & Desert Oak Only

Microwave Wall Cabinets

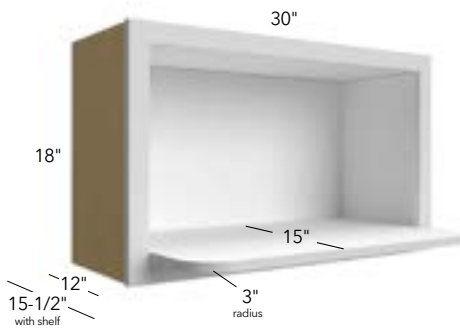


42" MICROWAVE

ITEM

MC304221

- Cabinet exposed sides come pre-finished with near-flush finished ends.
- 3" Wide rails face frame to be trimmed on site
- Minimum Width opening 24"
- Maximum **cut out** width 28½"
- Minimum Height opening 13"
- Maximum **cut out** height is 19 3/4"
- Maximum **overall** trim kit height 21"



18" MICROWAVE WITH SHELF

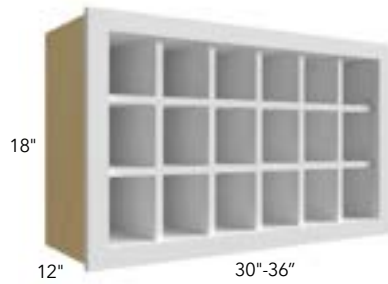
ITEM

MW3018

- 18" high Microwave Wall Cabinet with 15" deep extended shelf
- Extended shelf has rounded edges with a 3" radius
- Extended shelf ships loose from cabinet; to be installed on site

NOTE: This cabinet receives the modification **FILL HINGE-SEAM**. Modification is added at no charge for MW3018. Hinge holes on Face Frame are filled with touch-up. Seam may be slightly visible.

Wine Cabinets



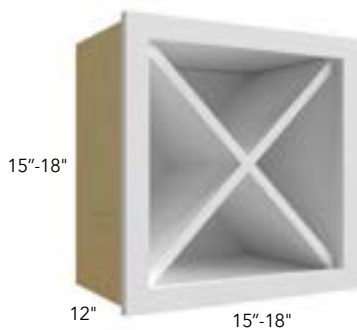
WINE RACK

ITEM

* WR3018

** WR3618

- Finished interior
- 1-½" Framed cabinet construction
- Exterior has ¾" recess from face frame (all around)
- Interior has ¼" recess from face frame (all around)
- * Fits 18 bottles
- ** Fits 21 bottles



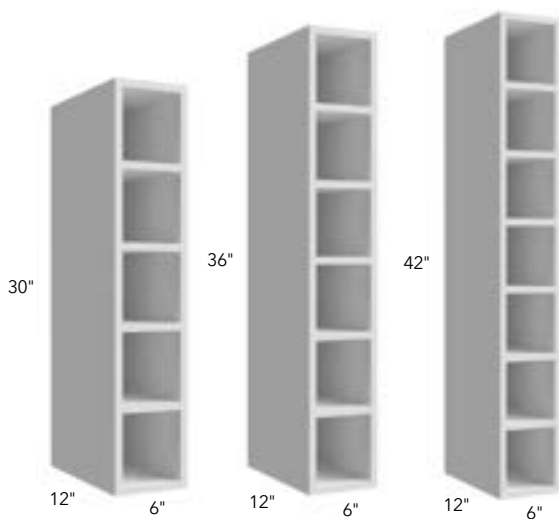
WINE RACK

ITEM

WR15X15

WR18X18

- Finished Interior
- 1-½" Framed cabinet construction
- Exterior has ¾" recess from face frame (all around)
- Interior has ¼" recess from face frame (all around)
- Storage Capacity
 - » WR15X15: 8-12 bottles
 - » WR18X18: 12-16 bottles



WINE CUBE

ITEM

WC0630

WC0636

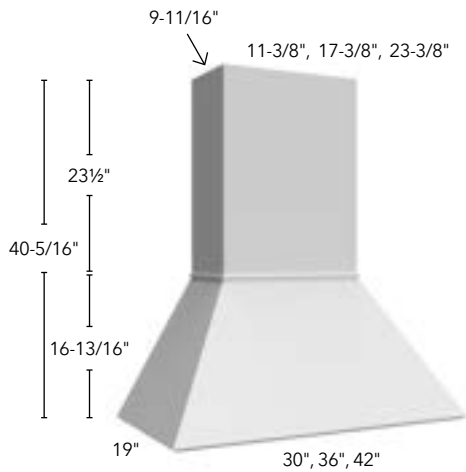
◆ WC0639

WC0642

- Veneer plywood with edge banding
- Finished Interior & Exterior
- Frameless construction
- ◆ Available for Galaxy - Frost, Dove, Indigo, Timber, & Desert Oak Only

NOTE: Wine Cubes by default will have visible screws on the exposed sides. Finished Ends may be requested at the time of ordering to have screws concealed. Modification is available for Flush Wall Bottom.

Euro & Farmhouse Hoods



EURO HOOD

ITEM

RHE30

RHE36

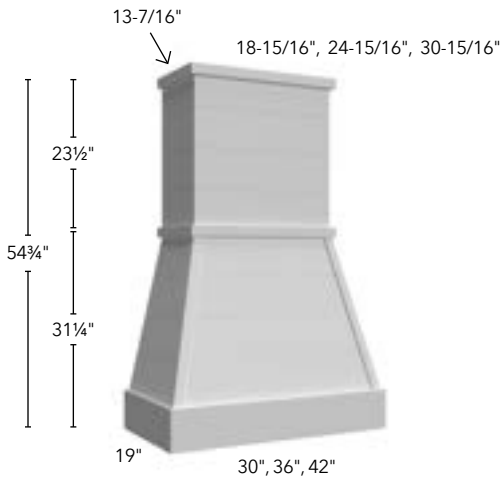
RHE42

RHE30 TIMBER

RHE36 TIMBER

RHE42 TIMBER

- Includes Stainless Steel Hood Liner (liner is user removable)
- Chimney is removable & trimmable on site (refer to assembly and installation instructions for more details)
- Modifications are not available for this item
- Liner specifications found on pg. 25
- Stainless Steel Liner is compatible with any of Fabuwood's Broan NuTone Ventilation Inserts. Please see pg. 28 for available options.



FARMHOUSE HOOD

ITEM

RHF30

RHF36

RHF42

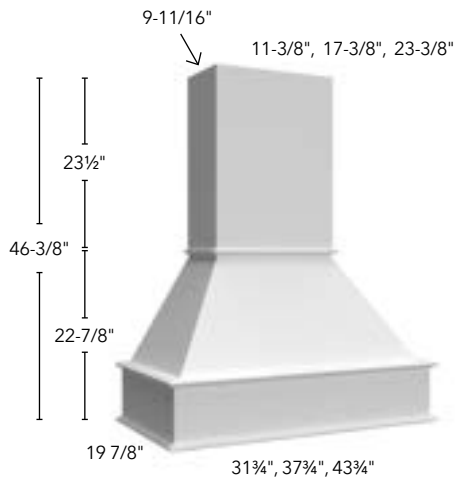
RHF30 TIMBER

RHF36 TIMBER

RHF42 TIMBER

- Includes Stainless Steel Hood Liner (liner is to be installed after hood is mounted on wall)
- Chimney is removable & trimmable on site (refer to assembly and installation instructions for more details)
- Modifications are not available for this item
- Liner specifications found on pg. 26
- Stainless Steel Liner is compatible with any of Fabuwood's Broan NuTone Ventilation Inserts. Please see pg. 28 for available options.

Signature Hoods



SIGNATURE HOOD

ITEM

RHS30

RHS36

RHS42

RHS30 TIMBER

RHS36 TIMBER

RHS42 TIMBER

- Includes Full Interior Stainless Steel Liner (liner is user removable)
- Chimney is removable & trimmable on site (refer to assembly and installation instructions for more details)
- Modifications are not available for this item
- Liner specifications found on pg. 26
- Stainless Steel Liner is compatible with any of Fabuwood's Broan NuTone Ventilation Inserts. Please see pg. 28 for available options.



SIGNATURE HOOD - WALNUT

ITEM

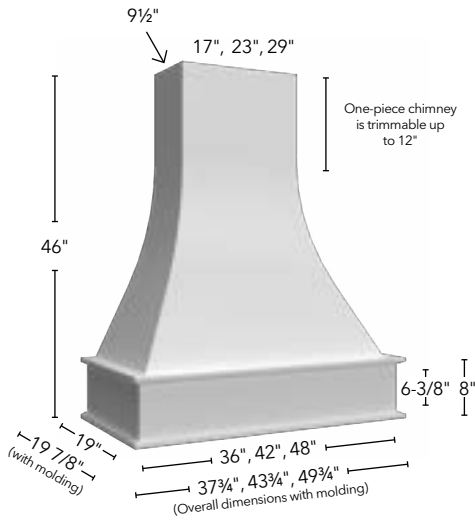
RHS30 WALNUT

RHS36 WALNUT

RHS42 WALNUT

- Includes Full Interior Stainless Steel Liner (liner is user removable)
- Chimney is removable & trimmable on site (refer to assembly and installation instructions for more details)
- Modifications are not available for this item
- Liner specifications found on pg. 26
- Stainless Steel Liner is compatible with any of Fabuwood's Broan NuTone Ventilation Inserts. Please see pg. 28 for available options.

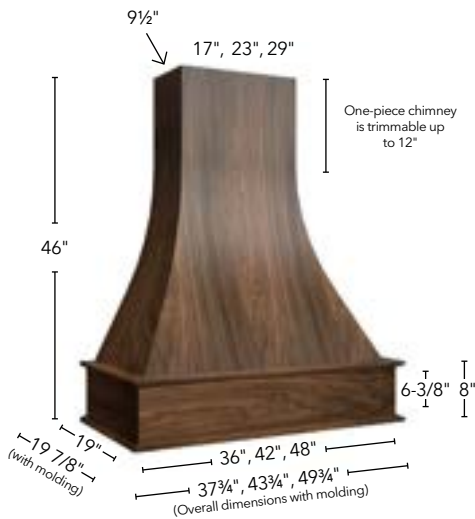
Curved Artisan Hoods



CURVED ARTISAN HOOD

ITEM
RHCA36
RHCA42
RHCA48
RHCA36 TIMBER
RHCA42 TIMBER
RHCA48 TIMBER

- Includes Full Interior Stainless Steel Liner (liner is user removable)
- One-Piece Chimney is trimmable on site up to 12" (refer to assembly and installation instructions for more details)
- Modifications are not available for this item
- Liner specifications found on pg. 26
- Stainless Steel Liner is compatible with any of Fabuwood's Broan NuTone Ventilation Inserts. Please see pg. 28 for available options.



CURVED ARTISAN HOOD - WALNUT

ITEM
RHCA36 WALNUT
RHCA42 WALNUT
RHCA48 WALNUT

- Includes Full Interior Stainless Steel Liner (liner is user removable)
- One-Piece Chimney is trimmable on site up to 12" (refer to assembly and installation instructions for more details)
- Modifications are not available for this item
- Liner specifications found on pg. 26
- Stainless Steel Liner is compatible with any of Fabuwood's Broan NuTone Ventilation Inserts. Please see pg. 28 for available options.

Arched Hoods



3 PANEL ARCHED HOOD

ITEM

RHA363021

- Not available in Luna
- Arched valance profile coordinates with that of door style
- Top panel lifts up
- Sides are flush finished ends
- Crown to be installed above cabinet, not on face frame
- Hood depth can be increased or decreased (contact Custom Quotes for pricing)
- Includes Full Interior Stainless Steel Hood Liner (liner is user removable)
- Liner specifications found on pg. 27
- Stainless Steel Liner is compatible with any of Fabuwood's Broan NuTone Ventilation Inserts. Please see pg. 28 for available options.



4 PANEL ARCHED HOOD

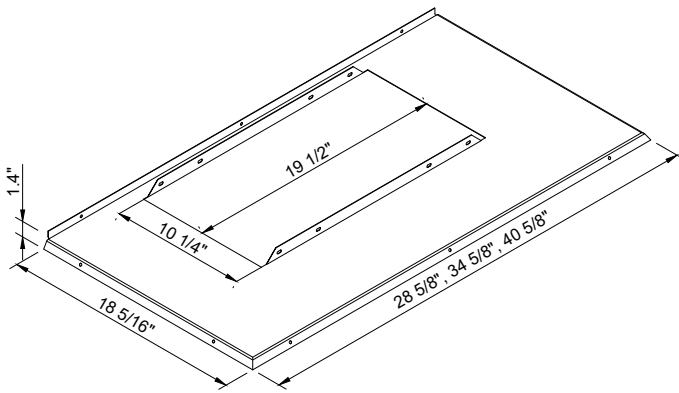
ITEM

RHA423021

RHA483021

- Not available in Luna
- Arched valance profile coordinates with that of door style
- Top panel lifts up
- Sides are flush finished ends
- Crown to be installed above cabinet, not on face frame
- Hood depth can be increased or decreased (contact Custom Quotes for pricing)
- Includes Full Interior Stainless Steel Hood Liner (liner is user removable)
- Liner specifications found on pg. 27
- Stainless Steel Liner is compatible with any of Fabuwood's Broan NuTone Ventilation Inserts. Please see pg. 28 for available options.

Hood Liner Specifications



EURO HOOD LINER

ITEM

HOOD LINER-RHE30

HOOD LINER-RHE36

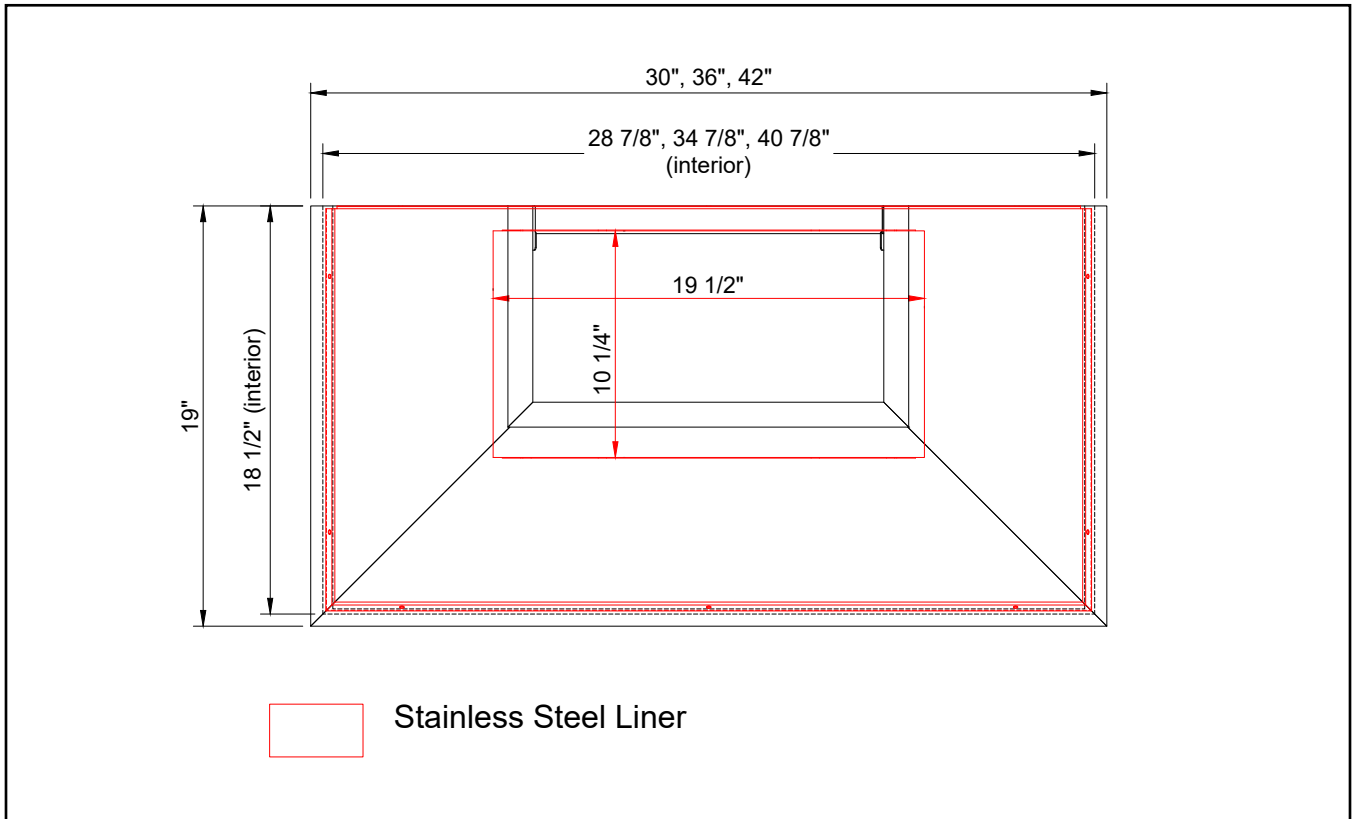
HOOD LINER-RHE42

- Liner is included as a standard on Allure Euro Hoods (hood will ship with liner pre-installed)
- Liner is not available separately for purchase
- Blower is **NOT** included, must be purchased separately by other
- Blowers that fit this liner:
 Broan / Model PM300SS
 Broan / Model PM400SS
 Broan / Model PM600SSV
 Best / Model P195P1M52SB6*
 XO / Model XO121SMUA*
 XO / Model XO122SC*
 Zephyr / Model AK8400BS*
 Zephyr / Model AK8400BS290*

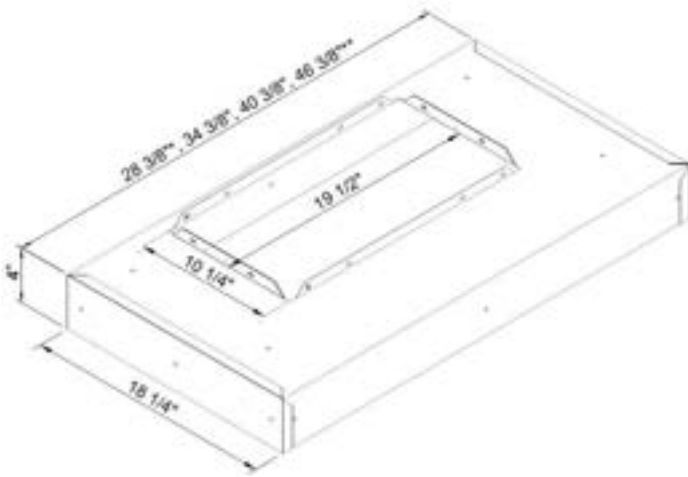
NOTE: Starred blowers are not compatible with 30" Hood Liners

MODELS LISTED ARE RECOMMENDATIONS ONLY; Fabuwood takes no responsibility for the selection of blower. Dealer is responsible for specifying and recommended to consult with an appliance dealer to select compatible blower options based on their individual cooking appliance needs and manufacturer specifications.

CONSTRUCTION DETAILS:



Hood Liner Specifications



FARMHOUSE/SIGNATURE/ARTISAN HOOD LINER

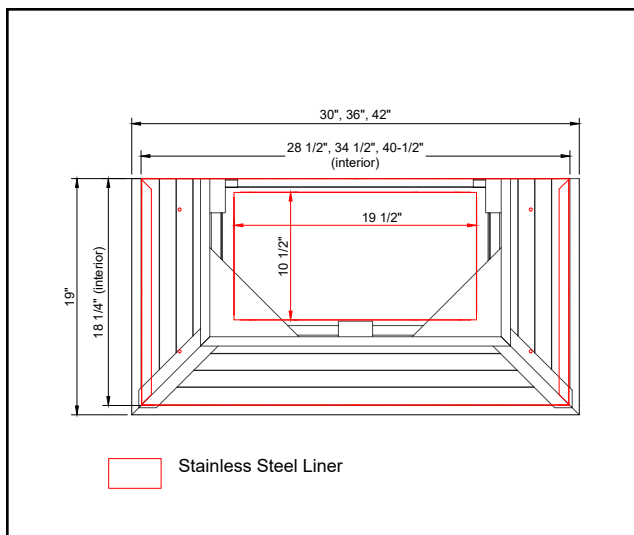
ITEM
* HOOD LINER-RHA/F/S30
HOOD LINER-RHA/F/S36
HOOD LINER-RHA/F/S42
** HOOD LINER-RHA/F/S48

- Liner is included as a standard on Allure Farmhouse, Signature & Curved Artisan Hoods (hood will ship with liner to be installed on site)
- Liner is not available separately for purchase
- * 30" liners for Farmhouse & Signature Hoods Only
- ** 48" liner is available for Curved Artisan Only
- Blower is **NOT** included, must be purchased separately by other
- Blowers that fit this liner:
 - Broan / Model PM300SS
 - Broan / Model PM400SS
 - Broan / Model PM600SSV
 - Best / Model P195P1M52SB6*
 - XO / Model XO121SMUA*
 - XO / Model XO122SC*
 - Zephyr / Model AK8400BS*
 - Zephyr / Model AK8400BS290*

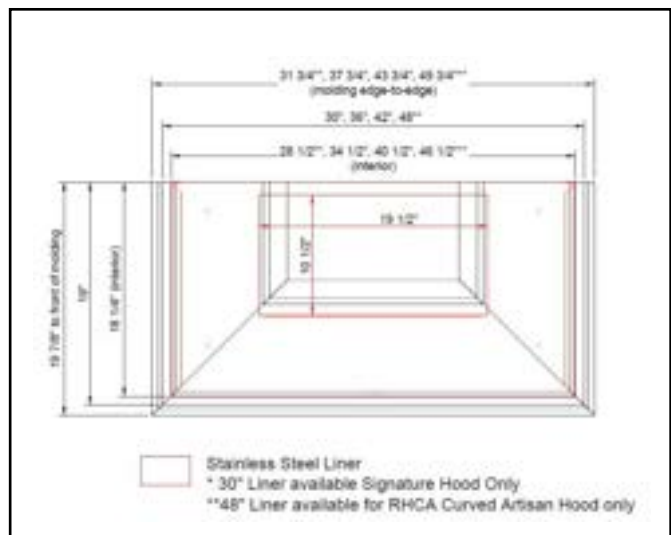
NOTE: Starred blowers are not compatible with 30" Hood Liners

MODELS LISTED ARE RECOMMENDATIONS ONLY; Fabuwood takes no responsibility for the selection of blower. Dealer is responsible for specifying and recommended to consult with an appliance dealer to select compatible blower options based on their individual cooking appliance needs and manufacturer specifications.

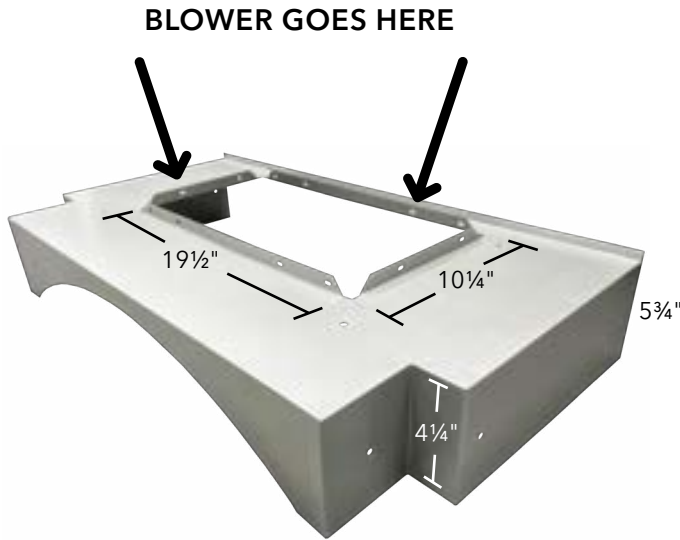
FARMHOUSE CONSTRUCTION DETAILS:



SIGNATURE/CURVED ARTISAN CONSTRUCTION DETAILS:



Hood Liner Specifications



ARCHED HOOD LINER

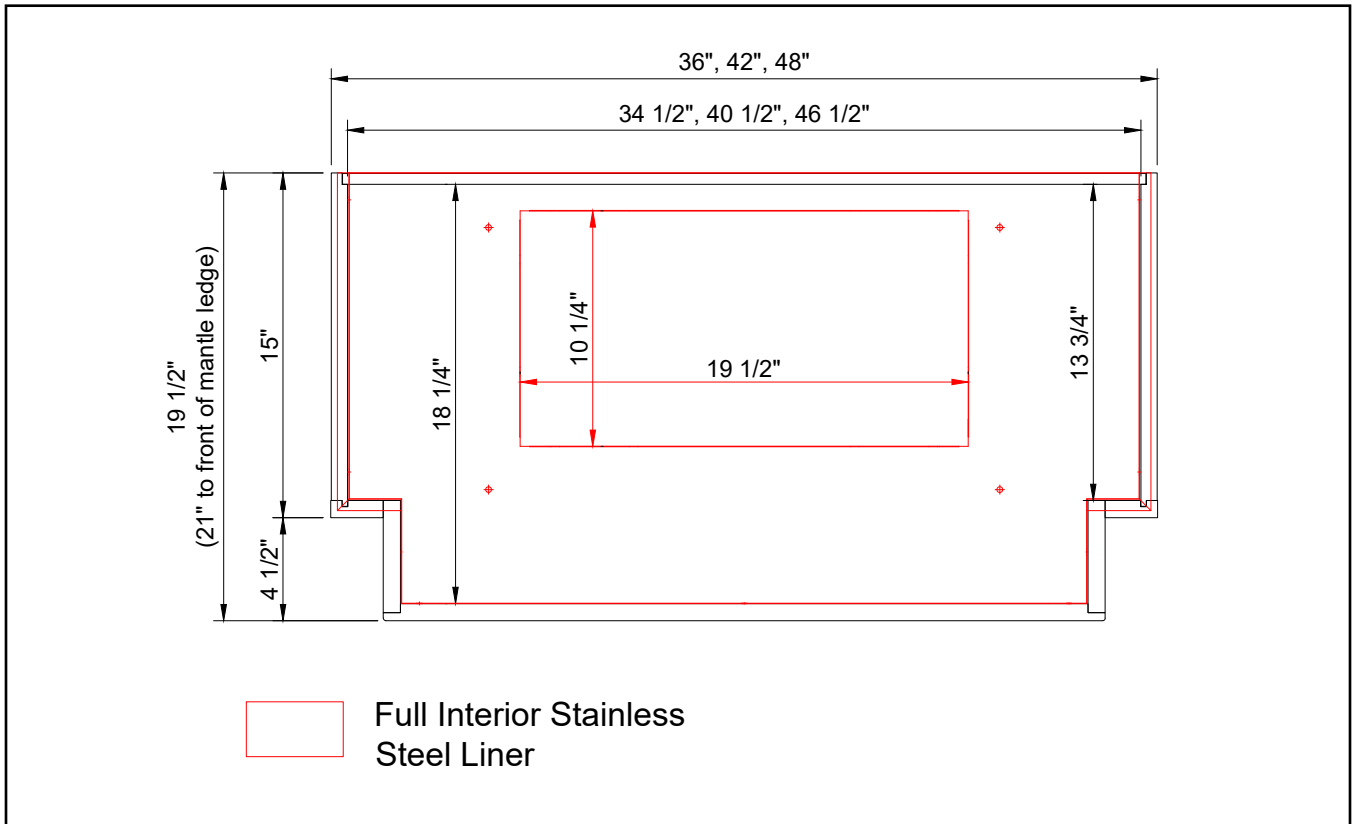
ITEM
HOOD LINER-RHA363021
HOOD LINER-RHA423021
HOOD LINER-RHA483021

- Liner is included as a standard on Allure Arched Hoods (hood will ship with liner preinstalled)
- Liner is not available separately for purchase
- Blower is **NOT** included, must be purchased separately by other
- Blowers that fit this liner:
 - Broan / Model PM300SS
 - Broan / Model PM400SS
 - Broan / Model PM600SSV
 - Best / Model P195P1M52SB6
 - XO / Model XO121SMUA
 - XO / Model XO122SC*
 - Zephyr / Model AK8400BS*
 - Zephyr / Model AK8400BS290*

NOTE: Starred blowers are not compatible with 30" Hood Liners

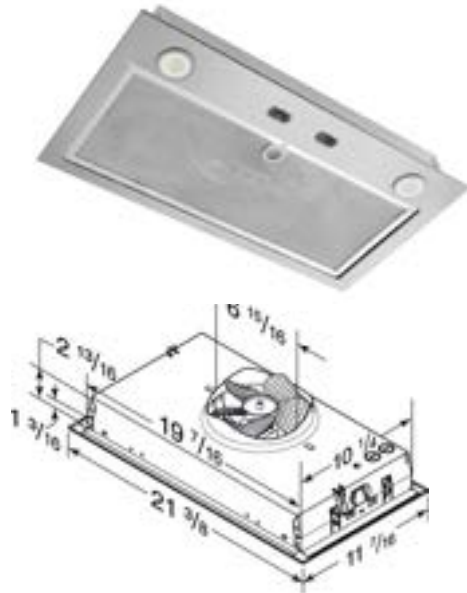
MODELS LISTED ARE RECOMMENDATIONS ONLY; Fabuwood takes no responsibility for the selection of blower. Dealer is responsible for specifying and recommended to consult with an appliance dealer to select compatible blower options based on their individual cooking appliance needs and manufacturer specifications.

CONSTRUCTION DETAILS:



Hood Ventilation Systems

250 CFM STAINLESS VENTILATOR



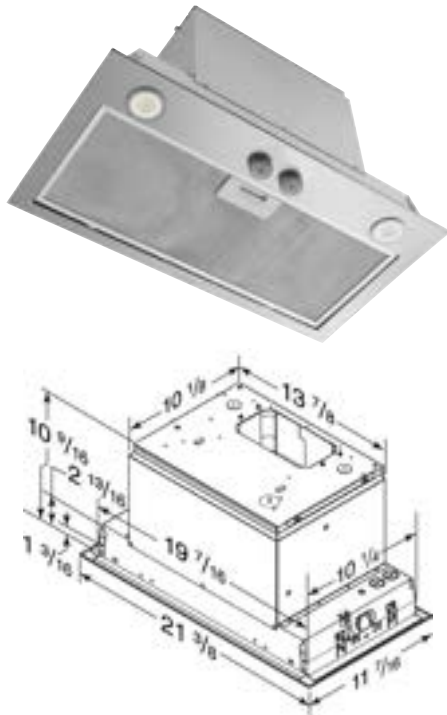
ITEM

RHBB 250 CFM

- Works with Fabuwood Stainless Steel Interior Hood Liners
- Available for all Fabuwood Allure Wood Hoods except RHA483021
- Efficient 300 Max Blower CFM operates at 3 zones at normal speed
- Bright 1-level, heat resistant LED modules enhance your cooking experience.
- 2-Speed rocker controls operate the fan speeds
- Easy-to-clean, fully enclosed bottom with dishwasher-safe aluminum mesh filter
- ADA compliant, remote operation is possible using a standard UL approved wall switch. Requires ADA adapter kit, HAWSK3 (sold separately, contact Customer Service Team to request Custom Accessory)
- Optional non-duct recirculation kit (RHBB DCT) and filters (RHBB FLTR) available for indoor exhaust recirculation to suit your needs.
- Comes with Broan-NuTone one (1) year Limited Warranty. Refer to installation guide for full details.

NOTE: Dealers should refer to the Heating Appliance Manufacturer's Specifications for individual ventilation requirements. Fabuwood is not responsible for improper blower selection or installation.

400 CFM STAINLESS VENTILATOR



ITEM

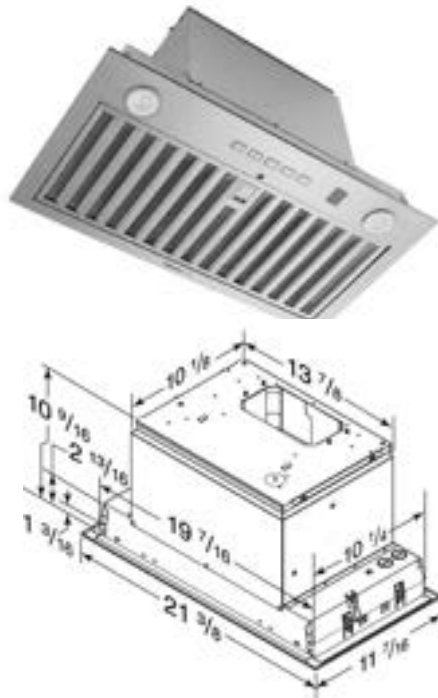
RHBB 400 CFM

- Works with Fabuwood Stainless Steel Interior Hood Liners.
- Available for all Fabuwood Allure wood Hoods
- Powerful 450 MAX Blower CFM operates at 1 zone at normal speed.
- Bright 1-level, heat resistant LED modules enhance your cooking experience.
- Up-front 3-Speed rotary controls makes operation easy.
- Dishwasher-safe aluminum mesh filters feature quick-release latch for easy removal.
- ENERGY STAR certified custom range hood insert.
- Optional non-duct recirculation kit (RHBB DCT) and filters (RHBB FLTR) available for indoor exhaust recirculation to suit your needs.
- Comes with Broan-NuTone one (1) year Limited Warranty. Refer to installation guide for full details.

NOTE: Dealers should refer to the Heating Appliance Manufacturer's Specifications for individual ventilation requirements. Fabuwood is not responsible for improper blower selection or installation.



Hood Ventilation Systems



600 CFM STAINLESS VENTILATOR

ITEM

RHBB 600 CFM

- Works with Fabuwood Stainless Steel Interior Hood Liners.
- Available for all Fabuwood Allure wood Hoods
- Broan® SmartSense® Auto Operation adjusts the fan speed based on the heat coming from your range so you never have to worry about adjusting the speed while cooking.
- Powerful 650 Max Blower CFM and Ultra-quiet 0.5 sone at normal speed.
- WiFi connectivity enables hands-free operation with voice activation using Alexa or Google Assistant.
- 4-Speed back-lit soft touch control features a smooth, easy-to-clean surface
- Bright 2-level, heat resistant LED modules enhance your cooking experience
- Dishwasher-safe hybrid baffle filter offers superior grease capture.
- Code Ready Technology adjusts CFM down to 300 to meet make-up air codes.
- ADA compliant, remote operation is possible using a standard UL approved wall switch. Requires ADA adapter kit, HAWRK5 (sold separately, contact Customer Service Team to request Custom Accessory)
- Optional non-duct recirculation kit (RHBB DCT) and filters available for indoor exhaust recirculation to suit your needs.
- Comes with Broan-NuTone one (1) year Limited Warranty. Refer to installation guide for full details.

NOTE: Dealers should refer to the Heating Appliance Manufacturer's Specifications for individual ventilation requirements. Fabuwood is not responsible for improper blower selection or installation.



INTERIOR DUCTWORK KIT

ITEM

RHBB DCT

- For ductless application of Broan® RHBB Blower Inserts
- Provides use of an insert in an application where it is not feasible to duct a range hood to an external location
- Includes a RHBB FLTR charcoal filter, a soffit grille (11-3/8"x3-5/8"), a 90-degree stack boot, a 7 in. round duct and a 6 in. to 7 in round transition
- Use with RHBB FLTR replacement charcoal filter
- Refer to the Installation Guide provided with your range hood for proper installation and maintenance

NOTE: Fabuwood recommends that all hoods be vented to the outside - consult local building codes & Heating Appliance requirements prior to ordering.

REPLACEMENT CHARCOAL FILTER

ITEM

RHBB FLTR

- Replacement Charcoal Filter for RHBB DCT Interior Non-Ducted Recirculation Kit

Base Cabinets



FULL HEIGHT SINGLE DOOR

ITEM
* B09FD
B12FD
B15FD
B18FD
B21FD

- Includes two 18" deep adjustable shelves
- * Does not include shelf



FULL HEIGHT DOUBLE DOOR

ITEM
B24FD
B27FD
B30FD
B33FD
B36FD

- * B39FD
- Includes two 18" deep adjustable shelves
- * Includes 1-1/2" wide center stile



SINGLE DOOR

ITEM
B12
B15
B18
B21

- Includes one 18" deep adjustable shelf

Base Cabinets



DOUBLE DOOR

ITEM
B24
B27
B30
B33SDF
B36SDF

- Includes one 18" deep adjustable shelves



DOUBLE DOOR & DRAWER

ITEM
B33
B36
* B39
* B42
* B48

- Includes one 18" deep adjustable shelves
- * Includes 3" center stile



3 DRAWER

ITEM
DB12
DB15
DB18
DB21
DB24
DB27
DB30
DB33
DB36

- Interior depth of drawers: 19 5/8"
- Interior height of top drawer: 3"
- Interior height of bottom drawers: 7"

Base Cabinets



2 DRAWER

ITEM
DB24-2
DB30-2
DB36-2

- Interior drawer box depth: 19 5/8"
- Interior drawer box height: 7"



4 DRAWER

ITEM
DB15-4
DB18-4
DB21-4

- Interior depth of drawers: 19 5/8"
- Interior height of top drawers: 3"
- Interior height of bottom drawer: 5"

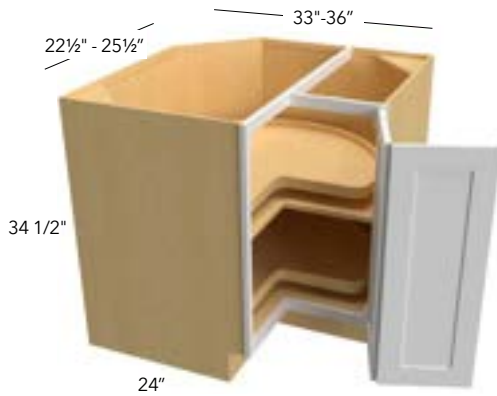


BENCH SEAT

ITEM
DBS24
DBS30
DBS36

- Bench Seat follows standard base construction with open top and panel beams dovetailed into side panels

Base Cabinets



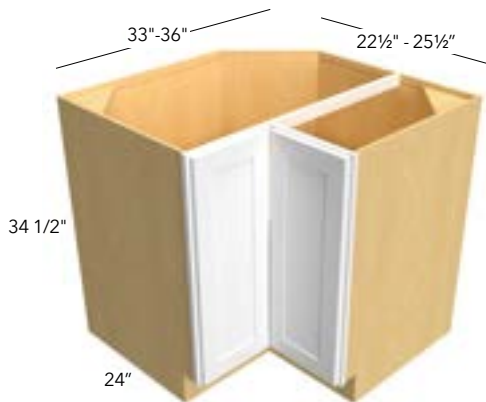
LAZY SUSAN

ITEM

LSB33

LSB36

- LSB33: Includes two 26" Pie-Cut Lazy Susan Trays
- LSB36: Includes two 32" Pie-Cut Lazy Susan Trays
- Both wooden Lazy Susan trays rotate independently
- Center tray is mounted on 18mm (3/4") adjustable shelf
- Soft close hinge not available



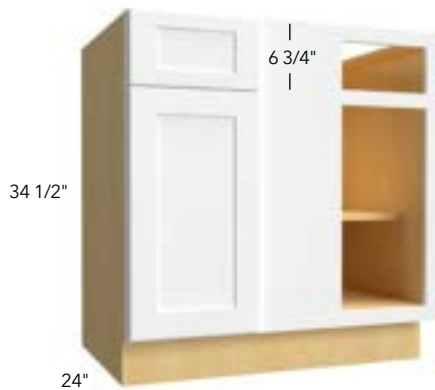
EASY REACH

ITEM

ERB33

ERB36

- Includes one adjustable shelf
- Soft close hinge not available



BLIND

ITEM

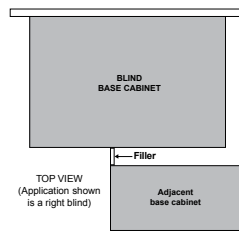
BLB36/39

BLB39/42

BLB42/45

BLB48/51

- Must use filler on adjacent wall (not supplied)
- Measurements are rounded off to closest 1/8"



	Act.	Min.	Max	Door	Stile	Open
BLB36/39	27"	36"	41 1/2"	9 3/4"	9 1/2"	7 1/4"
BLB39/42	33"	39"	45"	12 3/8"	10 1/4"	9 7/8"
BLB42/45	39"	42"	48"	15 3/8"	10 1/4"	12 7/8"
BLB48/51	48"	48"	51"	21 3/8"	7 3/8"	18 3/4"

Sink Base Cabinets



SINK SINGLE DOOR

ITEM
SB21



SINK DOUBLE DOOR

ITEM
SB24
SB27
SB30
SB33SDF
SB36SDF

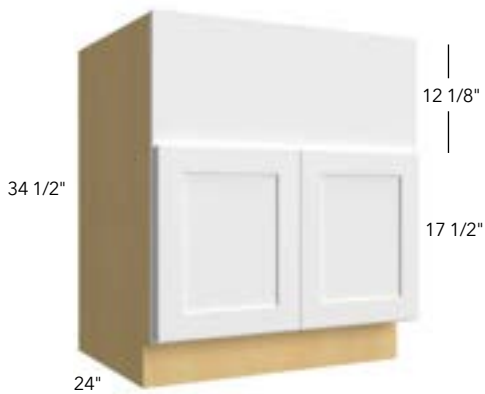


SINK DOUBLE DOOR & DRAWER

ITEM
SB33
SB36
* SB39
* SB42

* Includes 3" center stile

Base Cabinets



FARM SINK

ITEM
FS30
FS33
FS36

- Cut opening on job site
- Frame has a closed apron front: Front is painted MDF (painted finishes) & MDF with veneer (stained finishes). Panel is slightly recessed from the Face Frame.
- Maximum **cutout** height 12"
- Maximum **cutout** width 1-1/2" less than the cabinet size

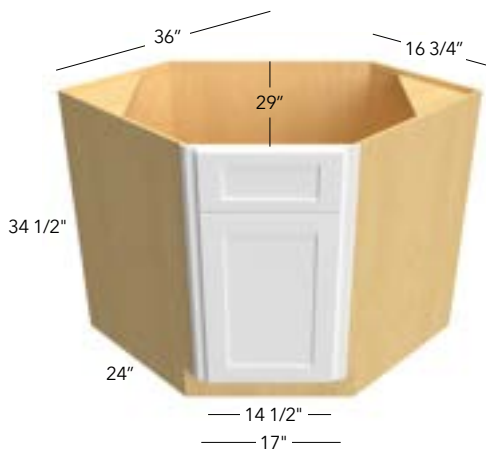
Note: To avoid damage please apply extra care when cutting the front panel.



DIAGONAL SINK FRONT

ITEM
DSF36
DSFL36

- Uses 3/8" overlay hinge
- Sink front and floor must be ordered separately

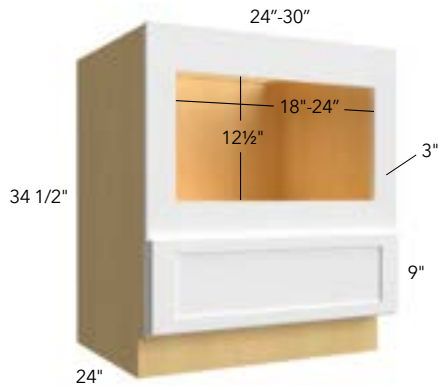


DIAGONAL SINK

ITEM
DSB36
DSB36FD

- Uses Compact Blumotion 3/8" partial overlay soft close hinges

Specialty Base Cabinets



MICROWAVE

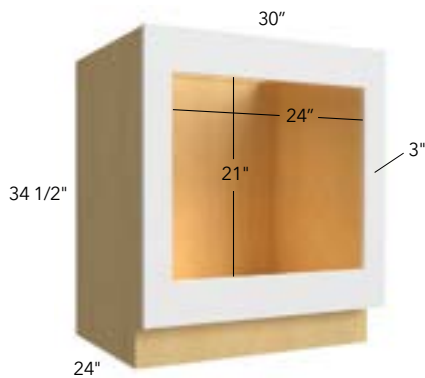
ITEM

BMC24

BMC30

- 3" Wide rails face frame to be trimmed on site,
- Minimum Width is 6" less than cabinet width
- Maximum **cut out** width 22-1/2" - 28-1/2"
- Minimum Height opening 12-1/2"
- Maximum **cut out** height is 18-3/4"H
- Maximum **overall** trim kit height 21"

Note: To avoid damage to the frame & side panels, please apply extra care when cutting the front panel.



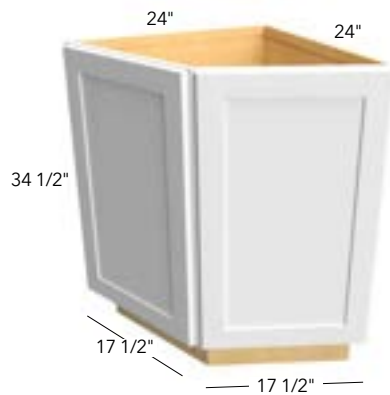
OVEN

ITEM

BOC30

- 3" Wide rails face frame to be trimmed on site,
- Minimum Width opening 24"
- Maximum **cut out** width 28-1/2"
- Minimum Height opening 21"
- Maximum **cut out** height is 28"
- Maximum **overall** oven height 29-3/4"

Note: To avoid damage to the frame & side panels, please apply extra care when cutting the front panel.



RETURN ANGLE

ITEM

BRA24

- Includes two adjustable shelves
- Available in Galaxy Frost only



**BASE TRANSITIONAL
RIGHT SHOWN**

TRANSITIONAL

ITEM

BTL12

BTR12

- Includes two adjustable shelves
- Exposed side comes pre-finished with near-flush finished end.
- Unexposed side comes flush and loose skin or applied finished end in unavailable. If interior side needs to be finished, please reach out to Customer Service to have a quote for this modification.

24" Deep Tall Pantry Cabinets

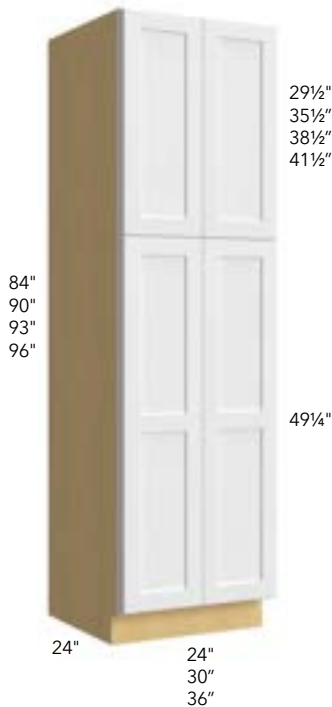


SINGLE DOOR

ITEM
TP152484
TP152490
◆ TP152493
TP152496
TP182484
TP182490
◆ TP182493
TP182496

- 21" deep shelves
- 84" high - 5 shelves
- 90", 93", 96" high - 6 shelves
- Roll Out Drawer available on pg. 55
- ◆ Available for Galaxy - Frost, Dove, Indigo, Timber, & Desert Oak Only

Tall Pantry shelves and clips are shipped together loose and will come packaged separately from the cabinet.



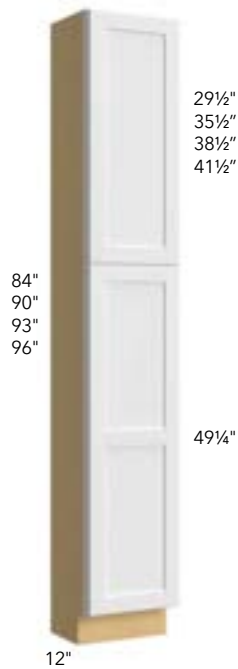
DOUBLE DOOR

ITEM
TP242484
TP242490
◆ TP242493
TP242496
TP302484
TP302490
◆ TP302493
TP302496
TP362484
TP362490
◆ TP362493
TP362496

- 21" deep shelves
- 84" high - 5 shelves
- 90", 93", 96" high - 6 shelves
- Roll Out Drawer available on pg. 55
- ◆ Available for Galaxy - Frost, Dove, Indigo, Timber, & Desert Oak Only

Tall Pantry shelves and clips are shipped together loose and will come packaged separately from the cabinet.

12" Deep Tall Pantry Cabinets

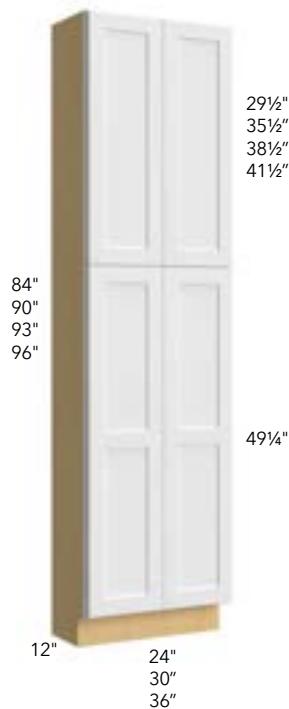


SINGLE DOOR

ITEM
TP151284
TP151290
◆ TP151293
TP151296
TP181284
TP181290
◆ TP181293
TP181296

- Deep shelves
- 84" high - 5 shelves
- 90", 93", 96" high - 6 shelves
- Roll Out Drawer available on pg. 55 *NOTE: Will incur a CUT-ROD modification charge.*
- ◆ Available for Galaxy - Frost, Dove, Indigo, Timber, & Desert Oak Only

Tall Pantry shelves and clips are shipped together loose and will come packaged separately from the cabinet.



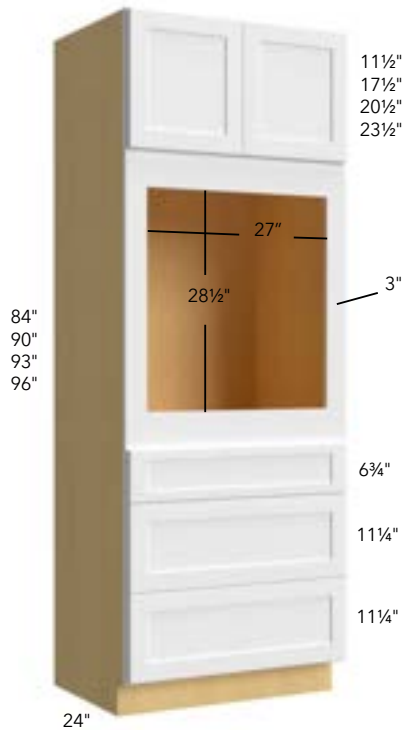
DOUBLE DOOR

ITEM
TP241284
TP241290
◆ TP241293
TP241296
TP301284
TP301290
◆ TP301293
TP301296
TP361284
TP361290
◆ TP361293
TP361296

- Deep shelves
- 84" high - 5 shelves
- 90", 93", 96" high - 6 shelves
- Roll Out Drawer available on pg. 55 *NOTE: Will incur a CUT-ROD modification charge.*
- ◆ Available for Galaxy - Frost, Dove, Indigo, Timber, & Desert Oak Only

Tall Pantry shelves and clips are shipped together loose and will come packaged separately from the cabinet.

Oven Cabinets



OVEN CABINET SINGLE WITH 3 DRAWERS

ITEM

OC3384S

OC3390S

◆ OC3393S

* OC3396S

* Has one shelf in top cabinet. (Shelf and clips are shipped together loose and will come packaged separately from the cabinet)

• 3" Wide rails face frame to be trimmed on site

◆ Available for Galaxy - Frost, Dove, Indigo, Timber, & Desert Oak Only

When using a Single Oven:

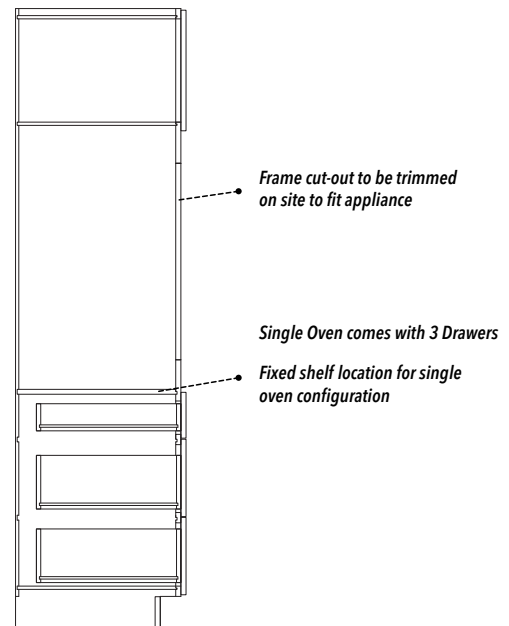
- Wide rails face frame to be trimmed on side
- Minimum Width opening 27"
- Maximum **cut out** width 31"
- Minimum Height opening 28 1/2"
- Maximum **cut out** height is 37"
- Maximum **overall** oven Height 37 1/2"

Full panel face frame to be trimmed on site (not by Fabuwood).

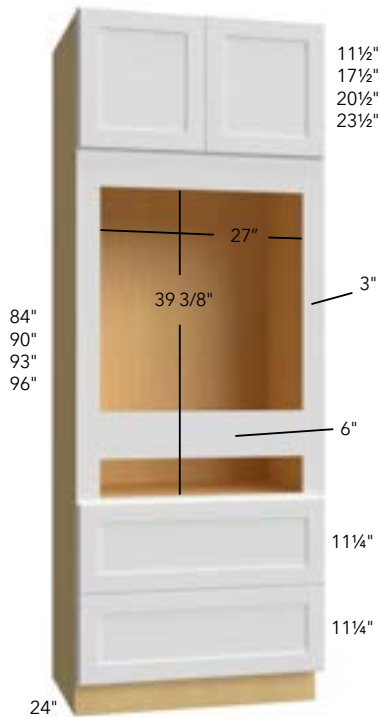
Note: To avoid damage to the frame & side panels, please apply extra care when cutting the front panel.

SPECIFICATION FOR OVEN CABINET

Tall Oven Cabinets come with single fixed shelf above top drawer. Fixed shelf will be located above the uppermost drawer; location is based on the selected configurations: Single
Frame is to be trimmed on site to accommodate configuration & appliance needs.



Oven Cabinets



OVEN CABINET COMBO WITH 2 DRAWERS

ITEM
OC3384C
OC3390C
◆ OC3393C
* OC3396C

- * Has one shelf in top cabinet. (Shelf and clips are shipped together loose and will come packaged separately from the cabinet)
- 3" Wide rails face frame to be trimmed on site
- ◆ Available for Galaxy - Frost, Dove, Indigo, Timber, & Desert Oak Only

When using a Combo Oven:

- Wide rails face frame to be trimmed on side
- Minimum Width opening 27"
- Maximum **cut out** width 31"
- Minimum **cut out** height 39 3/8"
- Maximum **cut out** height is 44"
- Maximum **overall** oven Height 44 5/8"

When using two appliances:

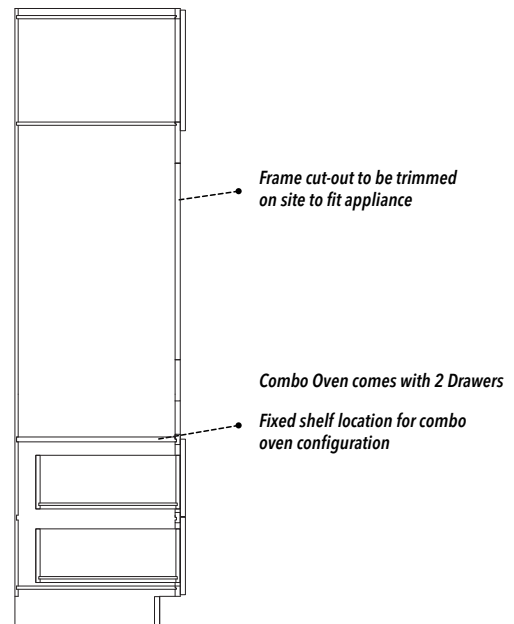
- Will need to insert a filler and fixed shelf to support top appliance, filler and shelf to be purchased separately

Full panel face frame to be trimmed on site (not by Fabuwood).

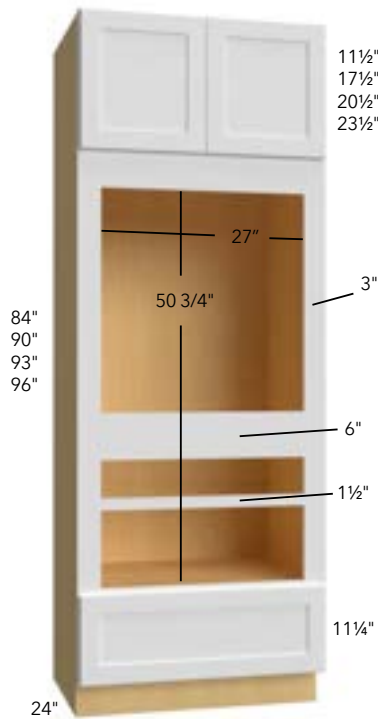
Note: To avoid damage to the frame & side panels, please apply extra care when cutting the front panel.

SPECIFICATION FOR OVEN CABINET

Tall Oven Cabinets come with single fixed shelf above top drawer. Fixed shelf will be located above the uppermost drawer; location is based on the selected configurations: Combo
Frame is to be trimmed on site to accommodate configuration & appliance needs.



Oven Cabinets



OVEN CABINET DOUBLE WITH 1 DRAWER

ITEM
OC3384D
OC3390D
◆ OC3393D
* OC3396D

- * Has one shelf in top cabinet. (Shelf and clips are shipped together loose and will come packaged separately from the cabinet)
- 3" Wide rails face frame to be trimmed on site
- ◆ Available for Galaxy - Frost, Dove, Indigo, Timber, & Desert Oak Only

When using a Double Oven:

- Wide rails face frame to be trimmed on side
- Minimum Width opening 27"
- Maximum cut out width 31"
- Minimum cut out height is 50 3/4"
- Maximum cut out height is 55 1/2"
- Maximum overall oven Height 56"

When using two appliances:

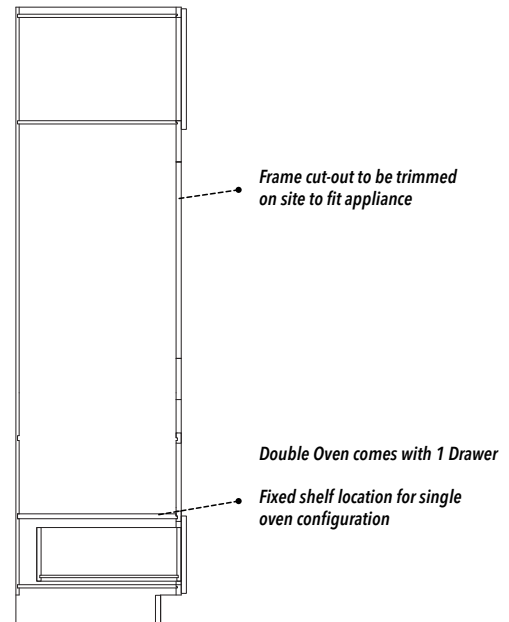
Will need to insert a filler and fixed shelf to support top appliance, filler and shelf to be purchased separately

Full panel face frame to be trimmed on site (not by Fabuwood).

Note: To avoid damage to the frame & side panels, please apply extra care when cutting the front panel.

SPECIFICATION FOR OVEN CABINET

Tall Oven Cabinets come with single fixed shelf above top drawer. Fixed shelf will be located above the uppermost drawer; location is based on the selected configurations: Double
Frame is to be trimmed on site to accommodate configuration & appliance needs.



Vanities



FULL HEIGHT SINGLE DOOR VANITY BASE

ITEM
VB12FD
VB15FD
VB21FD

- Shelf depth: 18"



FULL HEIGHT DOUBLE DOOR VANITY BASE

ITEM
VB24FD
VB27FD
VB30FD
VB33FD
VB36FD

- Shelf depth: 18"



VANITY BASE

ITEM
VB12-34
VB15-34
VB18-34
VB21-34
VB24-34
VB30-34

- 2" clearance between drawer and back panel
- Shelf depth: 18"

Vanities



VANITY DRAWER BASE

ITEM
VDB12-34
VDB15-34
VDB18-34
VDB21-34
VDB24-34

- 2" clearance between drawer and back panel



VANITY SINK BASE

ITEM
** VSB21-34
VSB24-34
VSB27-34
VSB30-34

- ** Single Door



VANITY SINK BASE

ITEM
VSB33-34
VSB36-34

Vanities



VANITY SINK & DRAWER COMBO

ITEM
VSD30DR
VSD30DL

- *Not available in Nexus*
- Need to select drawer on right or left side, cabinet can't be reversed R/L after assembled.*



VANITY SINK & DRAWER COMBO

ITEM
VSD36DR
VSD36DL

Need to select drawer on right or left side, cabinet can't be reversed R/L after assembled.



VANITY SINK & DRAWER COMBO

ITEM
VSD42

Vanities



VANITY SINK & DRAWER COMBO

ITEM
VSD48



VANITY SINK & DRAWER COMBO

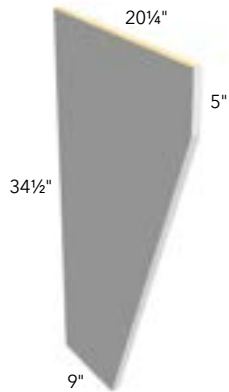
ITEM
VSD60SINGLE



VANITY SINK & DRAWER COMBO

ITEM
VSD60DOUBLE

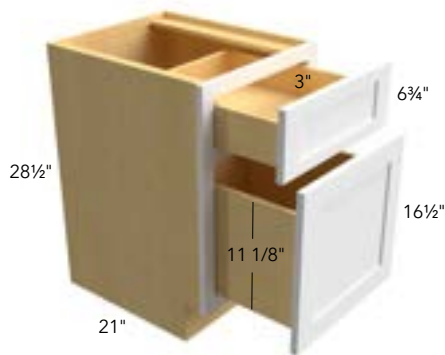
Vanities



VANITY DESK LEG

ITEM
VDL

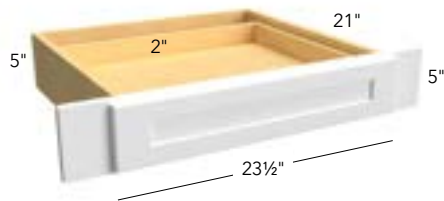
- Plywood veneer 3/4" thick
- Front matching color edge banding
- Only available in Frost



FILE DRAWER BASE

ITEM
FD18

- Cabinet height is 28 1/2"
- File rack not included



KNEE DRAWER

ITEM
KD30

- Can be trimmed up to 3" on both sides
- Blum soft close undermount
- Recessed drawer front
- Interior drawer depth: 2"

Vanities



WALL VANITY STORAGE

ITEM

WVS2430

- Includes automatic finished ends and finished interior
- Features 6"H open shelf

Vanity Platforms

SHAKER PLATFORM WITH COVE FEET

ITEM
* SPCF TP1821
SPCF V24
SPCF V30
SPCF V36
SPCF V42
SPCF V48
SPCF V60

SHAKER PLATFORM WITH TAPER FEET

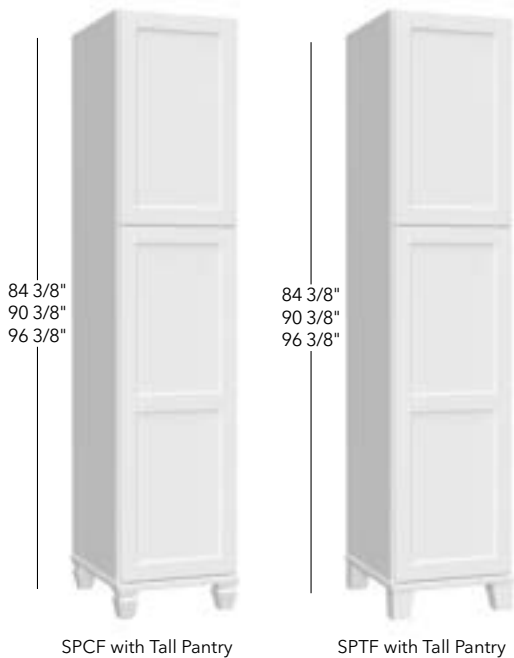
ITEM
* SPTF TP1821
SPTF V24
SPTF V30
SPTF V36
SPTF V42
SPTF V48
SPTF V60



- Shaker Vanity Platform is a 1" thick furniture-style platform with beveled edge detail.
- Designed to replace Toe Kick area for an elevated furniture-style look.
- **Select from one of two bun feet options:** pair with **Cove Bun Feet** for timeless sophistication, or **Taper Bun Feet** for a streamlined design that easily reads traditional or modern.
- May be ordered stand-alone or as an add-on accessory to a vanity cabinet.
 - » When selected as an add-on, system will include **MATCHING SIDE PANELS**** and **CUT-TK** at no charge.
 - » If ordering stand-alone – dealer to specify CUT-TK and any finished ends. Standard modification charges apply.
- * **TP1821 only:** designed for 24"D Tall Pantry. System will automatically add **CUT-TALL** at 21" deep.
- **FLUSH-BASE** is available for a separate upcharge to add near-flush finished ends.
- Bun feet come with adjustable plastic leveling feet for easy adjustment on uneven surfaces. Leveling foot projects 1/16" when fully retracted to elevate feet off finished floor. Extendable up to 1/2". Leveling foot comes pre-attached to bun foot and is non-removable.

** Matching 1/2" side panels are for Signature Colors Only. Designer Collection Colors come with near-flush finished ends pre-applied.

NOTE: Platform & bun feet ship loose; to be installed on-site by qualified installer.



Vanity Platforms

VERA PLATFORM WITH COVE FEET

ITEM
* VPCF TP1821
VPCF V24
VPCF V30
VPCF V36
VPCF V42
VPCF V48
VPCF V60

VERA PLATFORM WITH TAPER FEET

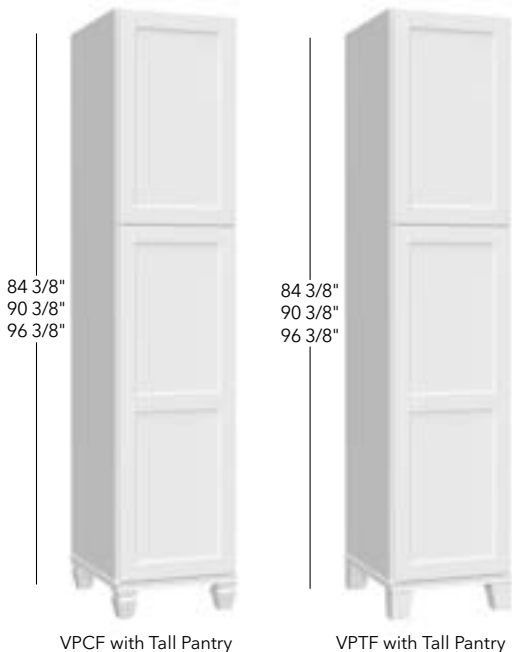
ITEM
* VPTF TP1821
VPTF V24
VPTF V30
VPTF V36
VPTF V42
VPTF V48
VPTF V60



- Shaker Vanity Platform is a 1" thick furniture-style platform with beveled edge detail.
- Designed to replace Toe Kick area for an elevated furniture-style look.
- **Select from one of two bun feet options:** pair with **Cove Bun Feet** for timeless sophistication, or **Taper Bun Feet** for a streamlined design that easily reads traditional or modern.
- May be ordered stand-alone or as an add-on accessory to a vanity cabinet.
 - » When selected as an add-on, system will include **MATCHING SIDE PANELS**** and **CUT-TK** at no charge.
 - » If ordering stand-alone - dealer to specify CUT-TK and any finished ends. Standard modification charges apply.
- ***TP1821 only:** designed for 24"D Tall Pantry. System will automatically add **CUT-TALL** at 21" deep.
- **FLUSH-BASE** is available for a separate upcharge to add near-flush finished ends.
- Bun feet come with adjustable plastic leveling feet for easy adjustment on uneven surfaces. Leveling foot projects 1/16" when fully retracted to elevate feet off finished floor. Extendable up to 1/2". Leveling foot comes pre-attached to bun foot and is non-removable.

** Matching 1/2" side panels are for Signature Colors Only. Designer Collection Colors come with near-flush finished ends pre-applied.

NOTE: Platform & bun feet ship loose; to be installed on-site by qualified installer.



Vanity Platform Loose Parts



SHAKER PLATFORM

ITEM
* SPF TP1821
SPF V24
SPF V30
SPF V36
SPF V42
SPF V48
SPF V60



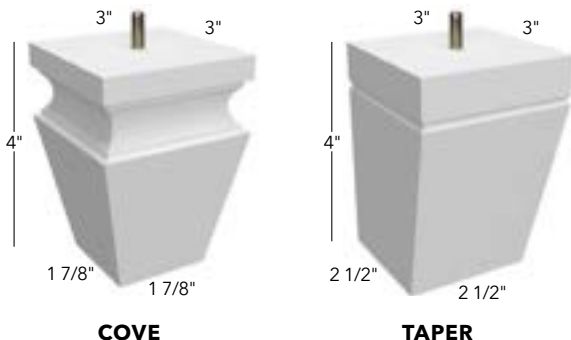
VERA PLATFORM

ITEM
* VPF TP1821
VPF V24
VPF V30
VPF V36
VPF V42
VPF V48
VPF V60

- Shaker Vanity Platform: is a 1" thick furniture-style platform with beveled edge detail.
- Vera Vanity Platform is a 1" thick furniture-style platform with U-Shaped curve detail.
- Platforms are 3/8" wider than cabinet and design to sit proud on either side and in front of cabinet. When installed in combination with bun feet, Vanty Platform adds 5" in height in place of Toe Kick. Solid wood trim detail with select plywood core.
- Individual platform comes pre-drilled for bun feet installation (ordered separately). Includes support beam for easy alignment of cabinet during installation.

* TP1821 only: Designed for 24"D Tall Pantry. System will automatically add CUT-TALL at 21" deep.

NOTE: Does not come with cabinet or bun feet. Dealer to specify CUT-TK and any Finished Sides on coordinating cabinets; standard modification charges will apply. Vanity Platform is to be installed on site by qualified installer.



BUN FEET

ITEM
CBF
TBF

- 3" x 3" x 4" high
- Cove bun foot: has a tapered base with decorative cove detail at top.
- Taper bun foot: has 2 tapered and 2 straight edges with a notch detail at top.
- Bun feet come with adjustable plastic leveling for easy adjustment on uneven surfaces. Leveling foot projects 1/16" when fully retracted to elevate feet off finished floor. Extendable up to 1/2". Leveling foot comes pre-attached to bun foot and is non-removable.

NOTE: Single bun foot. Order total quantity needed when placing order for loose bun feet.

ADA Cabinets



ADA SINGLE DOOR BASE

ITEM
ADA-B12
ADA-B15
ADA-B18
ADA-B21

- Includes one 18" deep adjustable shelf



ADA DOUBLE DOOR BASE

ITEM
ADA-B24
ADA-B27
ADA-B30
ADA-B33
ADA-B36

- Includes one 18" deep adjustable shelf



ADA DRAWER BASE

ITEM
ADA-DB15
ADA-DB18
ADA-DB21
ADA-DB24

ADA Cabinets



**DOORS, FLOOR, & TOE KICK
REMOVED**

ADA SINK BASE

ITEM

ADA-SB33-R

ADA-SB36-R

ADA-SB39-R

- Features removable full-height double doors, floor, and toe kick
- Interior is fully finished



ADA VANITY DRAWER BASE

ITEM

ADA-VDB12

ADA-VDB15

ADA Cabinets



**DOORS, FLOOR, & TOE KICK
REMOVED**



ADA VANITY SINK BASE

ITEM

ADA-VSB33-R

ADA-VSB36-R

- Features removable full-height double doors, floor, and toe kick
- Interior is fully finished

ADA WALL HUNG VANITY SINK BASE

ITEM

ADA-VSB30-WH-R

ADA-VSB33-WH-R

ADA-VSB36-WH-R

- Includes finished ends (not flush with face frame)
- Removable panel for plumbing access

Waste Solutions

TC18 BLUM, TC21 BLUM



TC15 BLUM



TRASH CAN (BLUM SLIDES)

ITEM

* TC15 BLUM

TC18 BLUM

TC21 BLUM

** TCV15 BLUM

- Tandem plus Blumotion full extension concealed drawer runners
- Cabinet not included, cabinet must be ordered separately
- 2 - 35 qt. cans included
- Not for ADA cabinet use
- * Single 35 qt. can + one bags bin
- ** Smaller depth for vanity cabinets

TC18FHD BLUM, TC21FHD BLUM



TC15FHD BLUM



TRASH CAN FULL HEIGHT DOOR (BLUM SLIDES)

ITEM

* TC15FHD BLUM

TC18FHD BLUM

TC21FHD BLUM

- Tandem plus Blumotion full extension concealed drawer runners
- Cabinet not included, cabinet must be ordered separately
- 2 - 50 qt. can included
- Not for ADA cabinet use
- FULL-DOORS modification is required
- * Single 50 qt. can + one bags bin

Base Accessories



ROLL OUT (PARTIAL EXTENSION BLUM SLIDES)

ITEM

ROD-B15 BLUM E

ROD-B18 BLUM E

ROD-B21 BLUM E

ROD-B24 BLUM E

ROD-B27 BLUM E

ROD-B30 BLUM E

ROD-B33 BLUM E

ROD-B36 BLUM E

- Cabinet not included
- Price is for a single Roll Out drawer
- Blumotion partial extension concealed drawer runners
- Drawers are adjustable
- Can be used for pantries

For increased drawer depth or custom height-placement, please email customquotes@fabuwood.com.
A \$100 modification surcharge will apply to all custom requests.



ROLL OUT (FULL EXTENSION BLUM SLIDES)

ITEM

ROD-B15 BLUM H

ROD-B18 BLUM H

ROD-B21 BLUM H

ROD-B24 BLUM H

ROD-B27 BLUM H

ROD-B30 BLUM H

ROD-B33 BLUM H

ROD-B36 BLUM H

- Cabinet not included
- Price is for a single Roll Out drawer
- Blumotion full extension concealed drawer runners
- Drawers are adjustable
- Can be used for pantries

For increased drawer depth or custom height-placement, please email customquotes@fabuwood.com.
A \$100 modification surcharge will apply to all custom requests.

Base Accessories



SPICE PULL OUT BASE

ITEM

SPO-B9 BLUM

SPO-B12 BLUM

- Cabinet not included, cabinet must be ordered separately
- Features Blumotion soft-close drawer slides
- Chrome rails
- Adjustable shelves
- UV coated maple wood
- Not for ADA cabinet use

NOTE: SPO-B9 Spice Pull-Out with ball-bearing slides has been discontinued.



UTENSIL PULL OUT

ITEM

UPO-B9 BLUM

UPO-B12 BLUM

- Cabinet not included, cabinet must be ordered separately
- Chrome rails
- Adjustable shelves
- UV coated maple wood
- Not for ADA cabinet use
- Features Blumotion soft-close drawer slides



UKBPO-B12 BLUM



UKBPO-B15 BLUM

UTENSIL & KNIFE PULL OUT

ITEM

UKBPO-B12 BLUM

UKBPO-B15 BLUM

- Cabinet not included, cabinet must be ordered separately
- Designed for full height base cabinet
- Knife block features flex rod technology that adjust to securely hold knives
- Chrome rails
- Adjustable top shelf
- Removable stainless steel bin(s) included
 - » UKBPO-B12 BLUM: Includes one 2 qt. bin
 - » UKBPO-B15 BLUM: Includes one 2 qt. bin & three 1 ¼ qt. bins
- 4 flexible plastic cutting mats included
- UV coated maple wood
- Not for ADA cabinet use
- Features Blumotion soft-close drawer slides

Base Accessories



BPOBLB42/45-L



BPOBLB48/51-L

BLIND BASE PULL OUT

ITEM

BPO-BLB42/45-R

BPO-BLB42/45-L

BPO-BLB48/51-R

BPO-BLB48/51-L

- Cabinet not included
- Includes two trays per accessory
- Load Capacity:
 - » BPO-BLB42/45: 33lb (15kg) per tray
 - » BPO-BLB48/51: 55lb (25kg) per tray
- Maple/Champagne Finish



TWO-TIER COOKWARE ORGANIZER

ITEM

CWO-B18 BLUM

CWO-B24 BLUM

- Cabinet not included
- Full-extension Blum slides
- Pegboard bottoms
- 4 Press-in pegs included



9" TRAY DIVIDER PULL OUT

ITEM

TDPO-B9 BLUM

- Cabinet not included, cabinet must be ordered separately
- UV coated maple wood
- Not for ADA cabinet use
- Features Blumotion soft-close drawer slides

Base Accessories



TOWEL BAR PULL OUT

ITEM
TBPO-BF3

- Filler & Overlay Filler are required and need to be ordered separately
- 2 Towel bars
- Single static shelf with chrome wire accents
- UV coated maple wood
- Installed on site
- Installed between two cabinets
- Full-extension, ball-bearing slides with soft-close



SPICE PULL OUT

ITEM
* SPO-BF3
SPO-BF3 BLUM
* SPO-BF6
SPO-BF6 BLUM

- Filler & Overlay Filler are required and need to be ordered separately
- Chrome rails
- Adjustable shelves
- UV coated maple wood
- Installed on site between two cabinets
- Not for ADA cabinet use
- Wall filler 30" high is recommended instead of a base filler, requires to build toe kick separately
- * Full extension ball-bearing slides (not soft-close)



18" HEAVY DUTY MIXER LIFT

ITEM
MLU-B18

- Cabinet not included; cabinet must be ordered separately
- Soft-close mechanism features built-in shock dampeners with adjustable spring tension
- Load Capacity: 60 lb (27kg)
- Silver Steel Mechanism with Maple Wood Block Shelf
- Shelf is 20"(L) x 11-3/4" (W) x 1-3/8" (H)

NOTE: For B18FD Only. Will not work in a door/drawer configuration.

Base Accessories



STEP STOOL PULL OUT

ITEM

SSPO-BF1-1/2

- *Required filler and optional overlay filler are not included and need to be ordered separately*



STEP STOOL PULL OUT INSTALLED IN CABINET

ITEM

BSS3

- *Accessory comes installed in cabinet and includes filler*
- *Constructed with natural finished plywood*
- *Edge banded on front-facing exposed sides to match door style finish*

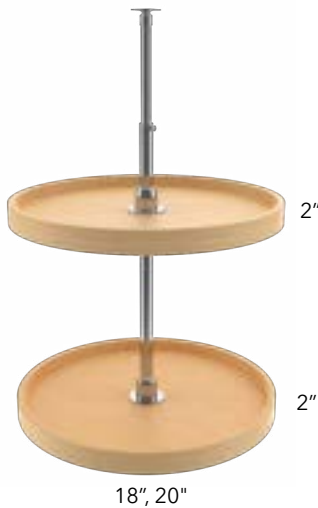
Base & Wall Accessories



SPICE PULLOUT WALL FILLER

ITEM
SPO-WF330
SPO-WF336
◆ SPO-WF339
SPO-WF342
SPO-WF630
SPO-WF636
◆ SPO-WF639
SPO-WF642

- Filler & Overlay Filler are required and need to be ordered separately
- Chrome rails
- Full extension ball-bearing slides (BLUM soft-close slides not available)
- Adjustable shelves
- UV coated maple wood
- Installed on site between two cabinets
- ◆ Available for Galaxy - Frost, Dove, Indigo, Timber, & Desert Oak Only

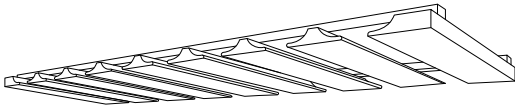


LAZY SUSAN

	ITEM
PLASTIC	LSP24 30
	LSP24 36/42
WOOD	LSW24 30
	LSW24 36/42
	* LSW27 30
	* LSW27 36/42

- Top and bottom brackets will come pre-installed. All other accessory parts will ship separately to be installed on site.
- Adjustable metal post
- 42" lazy susan has 3 trays
- 42" poles can be cut to fit 36" high cabinet
- * 20" trays

Wall Accessories



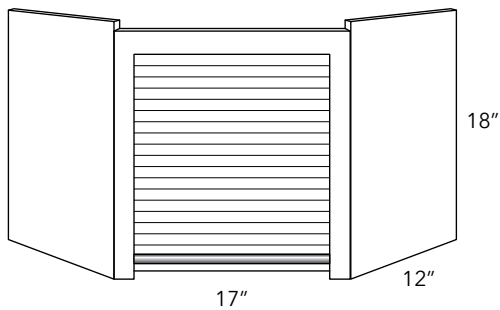
STEMWARE RACK

ITEM

STMW30

STMW36

- Comes unfinished. Product finished per order. May have extended ETA.



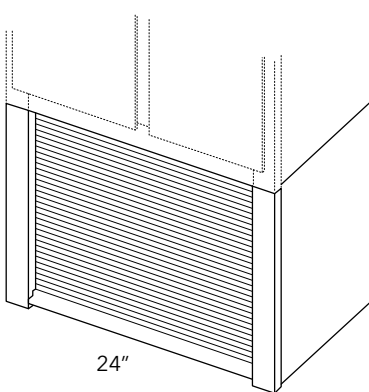
CORNER APPLIANCE GARAGE

ITEM

WDCAG2418

- Comes unfinished. Product finished per order. May have extended ETA
- Designed to be installed under a diagonal corner wall 24".

Note: Appliance garages ship unassembled. Assembly required for installation on-site.



STRAIGHT APPLIANCE GARAGE

ITEM

WAG2418

- Sides come finished (not flush). Product finished per order. May have extended ETA
- Designed to be placed under a 24" wide wall cabinet.
- Stiles are 2" wide

Note: Appliance garages ship unassembled. Assembly required for installation on-site.

Wall Accessories



FLOATING SHELF

ITEM
FLS24
FLS30
FLS36
FLS42
FLS48
FLS54
FLS60



FLOATING SHELF - TIMBER

ITEM
FLS24 TIMBER
FLS30 TIMBER
FLS36 TIMBER
FLS42 TIMBER
FLS48 TIMBER
FLS54 TIMBER
FLS60 TIMBER



FLOATING SHELF - WALNUT

ITEM
FLS24 WALNUT
FLS30 WALNUT
FLS36 WALNUT
FLS42 WALNUT
FLS48 WALNUT
FLS54 WALNUT
FLS60 WALNUT

- Includes hanging bracket & mounting hardware

- Dimensions:

Width: 24", 30", 36", 42", 48", 54", 60"

Height - 2 1/2"

Depth - 10"

Sink Accessories



TILT OUT

ITEM

TILTOUT 11"

TILTOUT 14"

TILTOUT 24"

- Includes installation
- White plastic tray



SINK MAT

ITEM

UNDER SINK MAT

- Product will be cut to size when purchased as accessory for cabinet.
- Product Purchased Separately will ship loose in 48"x30" Sheets.
- Grey waterproof polystyrene mat with stainless steel detail



Drawer Accessories



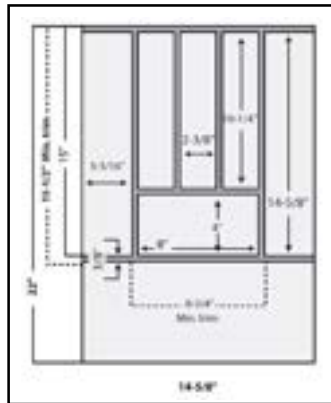
TRIMMABLE CUTLERY INSERT

ITEM

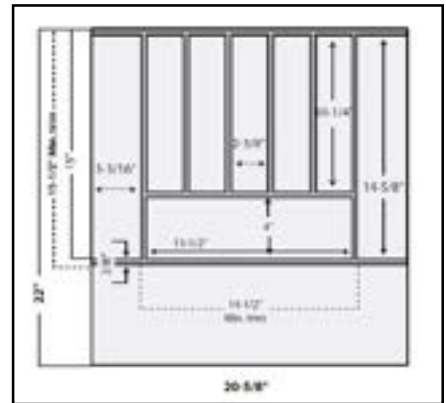
CD-S

CD-L

- UV coated maple wood
- 3/8" dividers
- 2 1/2" interior height
- 3/8" plywood bottom
- Includes installation



CD-S



CD-L

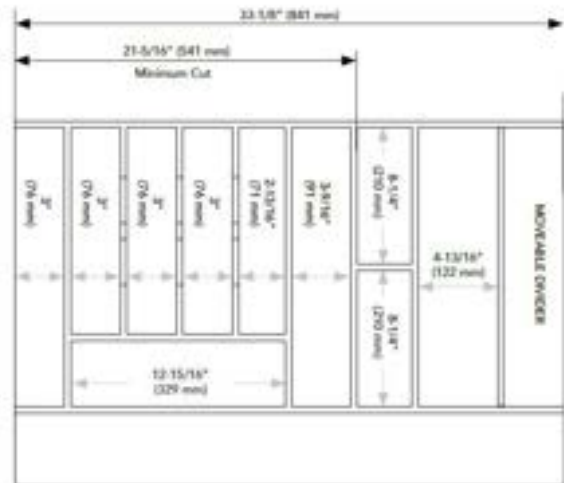


WIDE TRIMMABLE CUTLERY INSERT

ITEM

CD-XL

- Designed for 36" or smaller base cabinet drawers
- UV coated maple wood
- 3/8" dividers
- 2 1/2" interior height
- 3/8" plywood bottom
- Includes installation



Drawer Accessories

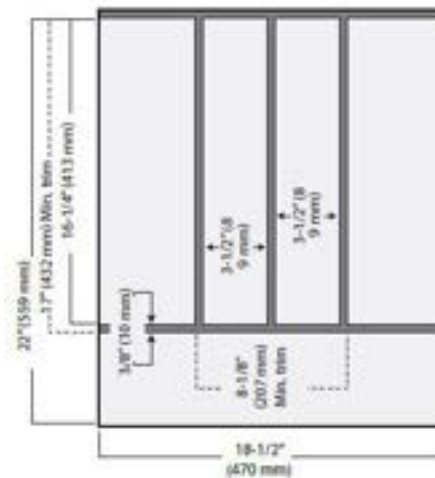


TRIMMABLE UTENSIL INSERT

ITEM

UT-15/24

- To fit 15" - 24" drawer
- Minimum cut width 8-1/2" W, Max 18-1/2" W. In a 24"W cabinet, will have extra room.
- UV coated maple wood
- 3/8" dividers
- 2 1/2" interior height
- 3/8" plywood bottom
- Includes installation



DRAWER PEGBOARD SYSTEM

ITEM

DPS-18/27

DPS-30/33

- Compatible with Three Drawer Base Cabinets (middle and bottom drawers only) and Two Drawer Base Cabinets
- Boards are cut-to-size during assembly to fit drawer box (includes installation)
- Maple wood with semi-gloss finish
- Pre-drilled placement holes are 2 1/2" apart in both directions
- Available as loose accessory (to be trimmed on site)
- DPS-18/27:
 - » To fit 18" - 27" drawer
 - » Includes nine 6" tall adjustable peg inserts
- DPS-30/33:
 - » To fit 30" - 33" drawer
 - » Includes twelve 6" tall adjustable peg inserts

Drawer Accessories



TIERED DEEP DRAWER

ITEM

DTD-DB30 BLUM

DTD-DB36 BLUM

- For DB30 & DB36 only
- Replaces the original drawer box of cabinet
- UV coated maple wood
- Drawer front not included
- 3 drawer compartments
- Blumotion full extension concealed drawer runners



CUTTING BOARD & KNIFE DRAWER

ITEM

CBKD-B18 BLUM

- For 18" cabinet drawer only
- Replaces the original drawer box of cabinet
- UV coated maple wood
- Up to 4 compartments and built-in knife organizer
- 1 wooden cutting board
- Blumotion full extension concealed drawer runners



CHARGING DRAWER

ITEM

CHD-B18 BLUM

- For 18" cabinet drawer only
- Replaces the original drawer box of cabinet
- UV coated maple wood
- Blumotion full extension concealed drawer runners
- (2) 120V plugs and (2) 201 amp USB ports
- Tamper resistant outlets
- Max current: AC: 12 amps @ 120VAC; USB 2.1 amp & 5 VDC
- Power cord with NEMA 5 - 15 plug
- Integrated cord guide to ensure safe operation
- Shock absorbent mat, black
- Overall safety of this product is determined by its end use

Drawer Accessories



2-TIER CUTLERY DRAWER

ITEM

DCD-15 BLUM

DCD-18 BLUM

DCD-21 BLUM

DCD-24 BLUM

- *UV coated maple wood*
- *Includes complete 3¾" high drawer box*
- *Features Blum soft-close slides*



2-TIER CUTLERY COMBO DRAWER

ITEM

DCD-30 BLUM

* DCD-36 BLUM

- *UV coated maple wood*
- *Includes complete 3¾" high drawer box*
- *Features Blum soft-close slides*
- * *For DB36 only*



TRIMMABLE KNIFE DIVIDER

ITEM

DKI-18/24

- *UV coated maple wood*
- *Total height: 2"*
- *¾" plywood bottom*

Vanity Accessories



VANITY OUTLET GROOMING ORGANIZER

ITEM

VGO12FD BLUM

- Cabinet not included, cabinet must be ordered separately
- Designed for 12" full height cabinet
- 2 removable stainless steel bins included
- 2 shelves with non-skid vinyl lining and acrylic accents
- In-drawer receptacle with (2) 120V plugs
- Tamper-resistant outlets
- Max Current: AC: 12 amps @ 120VAC
- Power cord with NEMA 5 - 15 plug
- Integrated cord guide ensures safe operation
- Drawer stop prevents items from being stored "ON" inside the cabinet
- Its end-use determines the overall safety of this product
- UV coated maple wood
- Not for ADA cabinet use
- Blumotion full extension concealed drawer runners



TRIMMABLE VANITY DRAWER ORGANIZER INSERT

ITEM

VDO

- Designed for 21" or smaller vanity base drawers
- Fits perfectly for KD30 cabinet
- Anti-skid vinyl lining
- Up to 13 compartments
- 2 clear acrylic lids
- UV coated maple wood



VANITY APPLIANCE STORAGE RACK

ITEM

VASR-30

- Designed for 30" vanity base cabinet
- Mounts to inside of right or left door
- Non-skid lining on lower level shelf
- (2) 1.25 qt. stainless steel bins
- UV coated maple wood

Vanity Accessories



VANITY ORGANIZER PULL OUT

ITEM

VOPO-24 BLUM

- Reversible
- 6 Acrylic bins included
- Blumotion full extension concealed drawer runners
- For VSB24-34

**Pull-out's shorter depth is designed for 24" Vanity Sink Base, but will also work in standard depth base cabinets. If used in standard base, there will be additional space in rear of cabinet once unit is installed.*



U-SHAPED VANITY SINK BASE PULL OUT

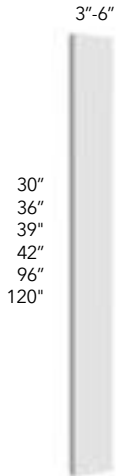
ITEM

UVTCPO-30 BLUM

- Tandem plus Blumotion full extension drawer runners
- Designed for 30" Vanity Sink Base, but works great in standard depth base cabinets as well
- Non-skid vinyl lining
- 4 adjustable dividers
- 8 qt. waste container included

Any accessories can be ordered and installed through Fabuwood

Fillers



WALL & TALL

ITEM
WF330
WF336
◆ WF339
WF342
WF630
WF636
◆ WF639
WF642
TF396
TF696

* TF3120

- Wall/Tall Fillers are finished on all four edges and front face
- Spice Pullout available on pg. 60
- * TF3120 may come grooved on back side
- ◆ Available for Galaxy - Frost, Dove, Indigo, Timber, & Desert Oak Only

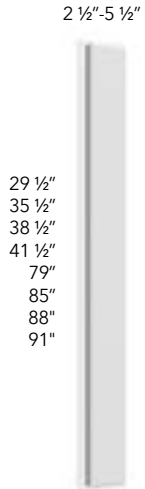


BASE

ITEM
BF3
BF6

- Base Fillers are finished on long edges and front face
- Spice Pullout available on pg. 58

Fillers



OVERLAY

ITEM
* OLF330
* OLF336
*♦ OLF339
* OLF342
*» OLF384
*» OLF390
*»♦ OLF393
*» OLF396
** OLF630
** OLF636
**♦ OLF639
** OLF642

* Actual width: 2 1/2"

** Actual width: 5 1/2"

» Height is 5" less than the cabinet height

♦ Available for Galaxy - Frost, Dove, Indigo, Timber, & Desert Oak Only

- All four edges and front face of Overlay Filler are finished
- Back filler to be ordered separately

Valances



STRAIGHT

ITEM
VST96

- Edge profile



**FUSION
PROFILE**



**GALAXY/LUNA
PROFILE**



**NEXUS
PROFILE**



**ONYX
PROFILE**



ARCHED

ITEM
VAR36
VAR54

- Edge profile
- Can be trimmed up to 3" on each side



**FUSION
PROFILE**



**GALAXY/LUNA
PROFILE**



**NEXUS
PROFILE**



**ONYX
PROFILE**

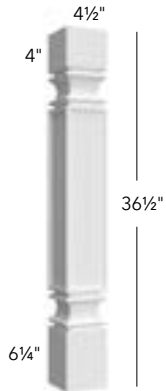


ARCHED-RECESSED PANEL

ITEM
VARP36
VARP42
VARP48
VARP54

- Not available in Luna
- Can be trimmed up to 3" on each side

Posts



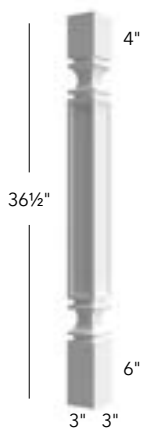
STANDARD POST

ITEM

SP36

- Must trim 2" from top or bottom

Disclaimer: Posts are handmade and may therefore feature inconsistencies in shape or form. These are in no way considered defects.



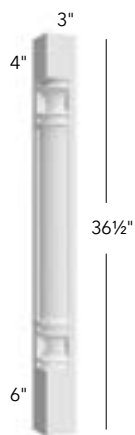
STANDARD POST

ITEM

SP3X3

- Must trim 2" from top or bottom

Disclaimer: Posts are handmade and may therefore feature inconsistencies in shape or form. These are in no way considered defects.



CORNER POST

ITEM

CP36

- Must trim 2" from top or bottom

Disclaimer: Posts are handmade and may therefore feature inconsistencies in shape or form. These are in no way considered defects.

Posts and Pilasters



SQUARE POST

ITEM
SQP36

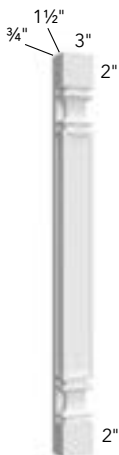


PLAIN PILASTER BASE & TALL

ITEM
* PP-BASE
PP-TP84
PP-TP90
◆ PP-TP93
PP-TP96

- * Must trim 2" from top or bottom
- Features a toe kick block behind the pilaster
- ◆ Available for Galaxy - Frost, Dove, Indigo, Timber, & Desert Oak Only

Disclaimer: Pilasters are handmade and may therefore feature inconsistencies in shape or form. These are in no way considered defects.



PLAIN PILASTER WALL

ITEM
PP-W30
PP-W36
◆ PP-W39
PP-W42

- ◆ Available for Galaxy - Frost, Dove, Indigo, Timber, & Desert Oak Only

Disclaimer: Pilasters are handmade and may therefore feature inconsistencies in shape or form. These are in no way considered defects.

Corbels

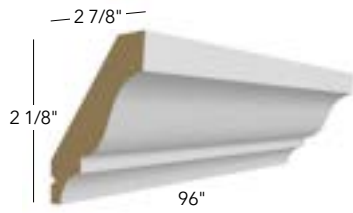


CORBEL

ITEM
CMCB
CML
CMS

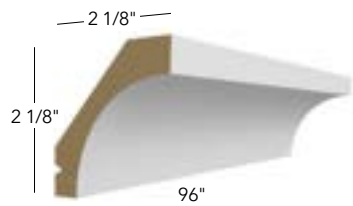
Disclaimer: Corbels are handmade and may therefore feature inconsistencies in shape or form. These are in no way considered defects.

Moldings (8')



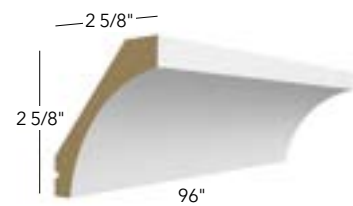
CROWN

ITEM
CM-1



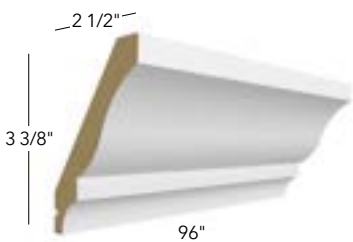
SMALL COVE

ITEM
CM-3



LARGE COVE

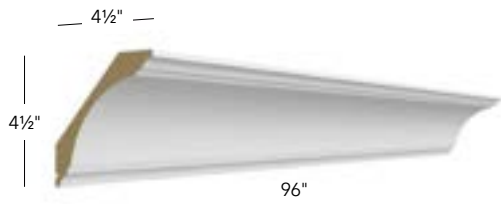
ITEM
CM-4



LARGE CROWN

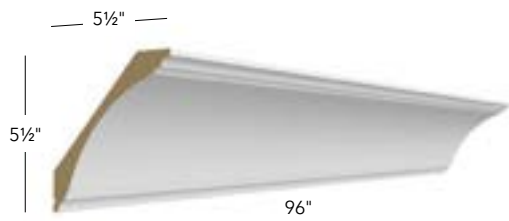
ITEM
CM-6

Moldings (8')



LARGE COVE CROWN

ITEM
CM-7



X-LARGE COVE CROWN

ITEM
CM-8

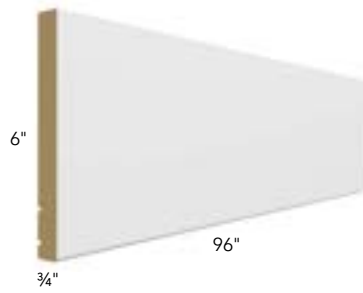


SHAKER CROWN

ITEM
CM-9

- Reversible molding, can be installed two ways
- Available in Dove, Kona, & Indigo finishes only

Moldings (8')



EXTENSION

ITEM

MEX-8



STARTER

ITEM

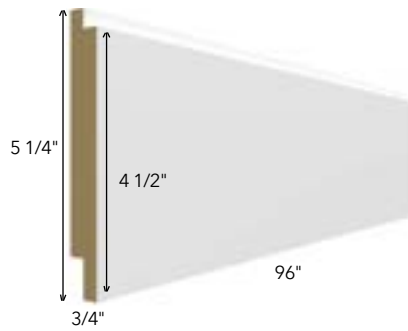
STRM-8



STACKING

ITEM

STKM-8



SHIP LAP

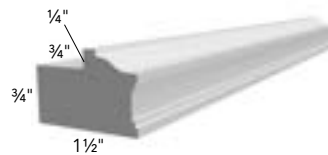
ITEM

SHL-8

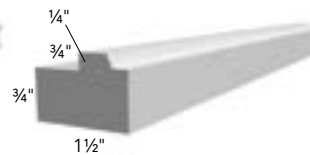
LIGHT RAIL

ITEM

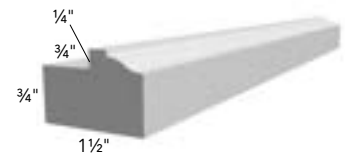
LRM



NEXUS

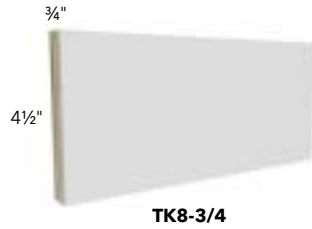
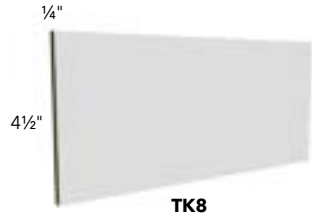


LUNA/GALAXY/ONYX



FUSION

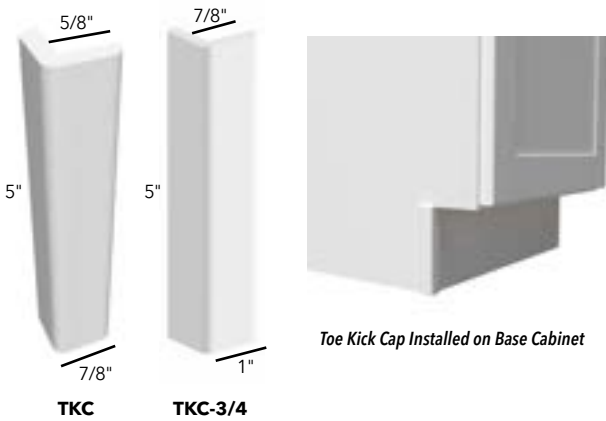
Moldings (8')



TOE KICK

ITEM
TK8
TK8-3/4

- Exterior finish matches that of door style ordered
- TK8: Moisture Resistant MDF will have visible green core
- TK8-3/4: 3/4" plywood is edgebanded on bottom



TOE KICK CAP

ITEM
TKC
TKC-3/4

- Solid Wood Toe Kick Cap
- Exterior finish matches that of door style ordered
- Cut on site during installation
- Toe Kick Cap used to finish exposed toekick ends and match finished side panels.



BASE BOARD

ITEM
BBM



FUSION PROFILE



LUNA & GALAXY PROFILE

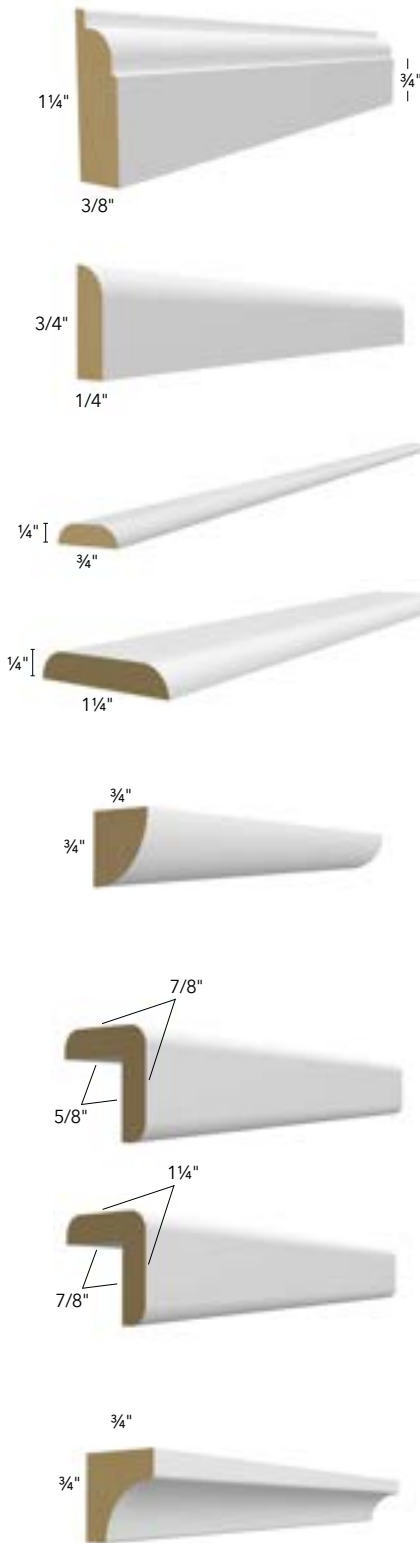


NEXUS PROFILE



ONYX PROFILE

Moldings (8')



DECORATIVE SCRIBE

ITEM

SM8-D

SIMPLE SCRIBE

ITEM

SM8-S

BATTEN

ITEM

BM3/4

BM1 1/4

QUARTER ROUND

ITEM

QRM

OUTSIDE CORNER

ITEM

OCM8

OCM8-1 1/4"

INSIDE CORNER

ITEM

ICM8

Moldings (8')



MIRROR MOLDING

ITEM

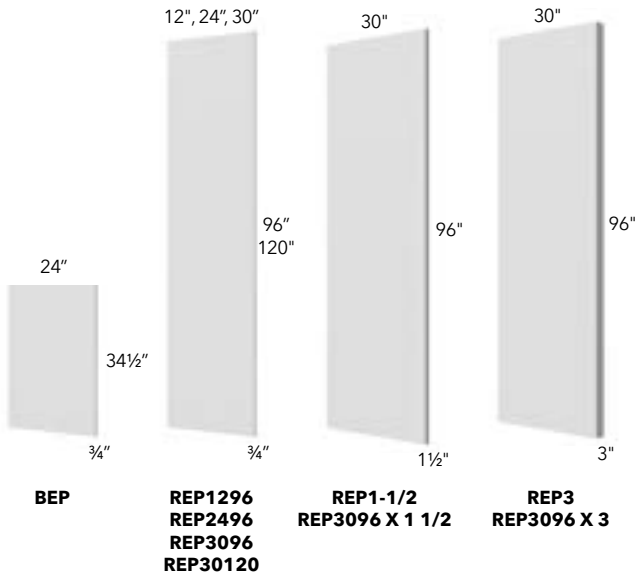
MIRROR MOLDING

- To determine the mirror dimensions, subtract 3 inches (1-1/2" from each side) from both the width and height of the desired overall mirror size, including the frame. Molding frame will add an additional 3" to width and height dimensions.



ASSEMBLED MIRROR

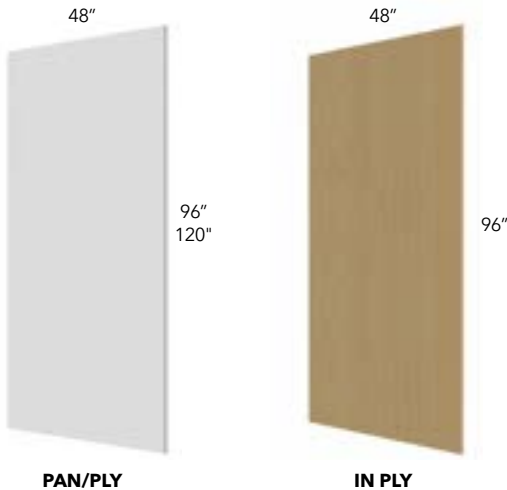
Panels



REFRIGERATOR END PANEL

ITEM
BEP
** REP1-1/2
REP30120 x 1-1/2
* REP1296
* REP2496
** REP3
REP30120 x 3
* REP3096
REP30120
** REP3096 x 1 1/2
** REP3096 x 3

- * Both long edges (34-1/2" for BEP, 96" for REP) are edge-banded
- ** Sides are flush finished, (no 1/4" reveal)
- 120" height available for 30" depth ONLY

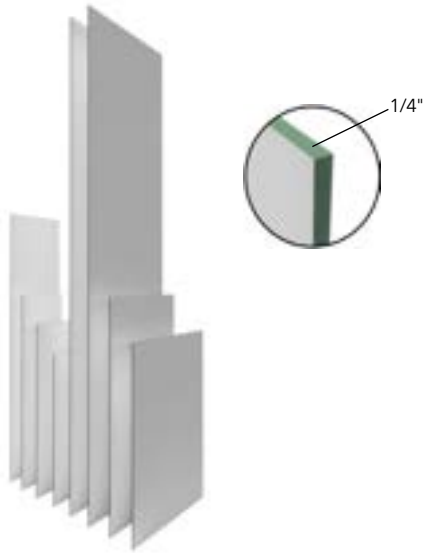


PANEL/LOOSE PLYWOOD

ITEM
* PAN-1/4
** PLY-1/2
** PLY-3/4
** PLY-1/2 48X120
** PLY-3/4 48X120
IN PLY 1/2-2 SIDE
IN PLY 3/4-2 SIDE

- * Finished on 1 side only; Moisture Resistant MDF will have visible green core
- ** Finished on 2 sides only

Panels

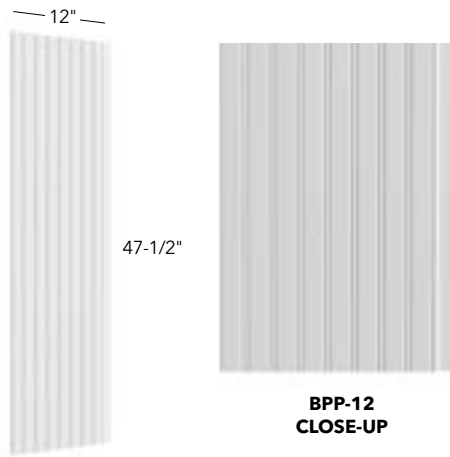


FINISHED END SKINS

ITEM
SK BASE
SK MC
SK TALL
SK T12D
SK W30
SK W36
◆ SK W39
SK W42
SK WD

- ◆ Available for Galaxy - Frost, Dove, Indigo, Timber, & Desert Oak Only
- Moisture Resistant MDF will have visible green core
- Skin Dimensions:
 - » SK BASE: 23-1/4" x 30-1/8"
 - » SK MC: 20-1/4" x 42-1/8"
 - » SK TALL: 23-1/4" x 96-1/8"
 - » SK T12D: 11-1/4" x 96-1/8"
 - » SK W30: 11-1/4" x 30-1/8"
 - » SK W36: 11-1/4" x 36-1/8"
 - » SK W42: 11-1/4" x 42-1/8"
 - » SK WD: 14-1/4" x 60-1/8"

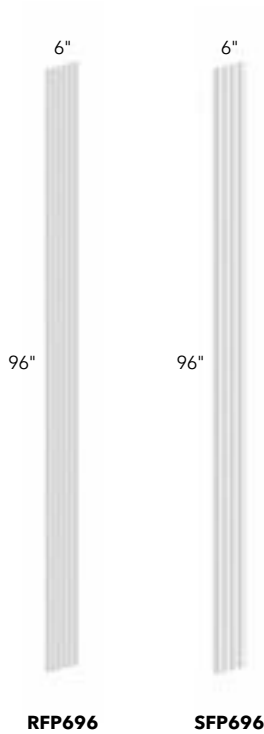
Panels



BEADED PANEL PLANK

ITEM
BPP-12

- 3/8" thick x 12 7/8"W x 47 1/2"H interlocking panel.
- Beads are 1 1/2" center-to-center.
- Visible finished portion of the panel is 12"W so when assembled together with additional planks they install in 12" increments.
- Trim panel to fit on site.



REEDED & SQUARE PANELS

ITEM
RFP696
SFP696
RFPEC
SFPEC

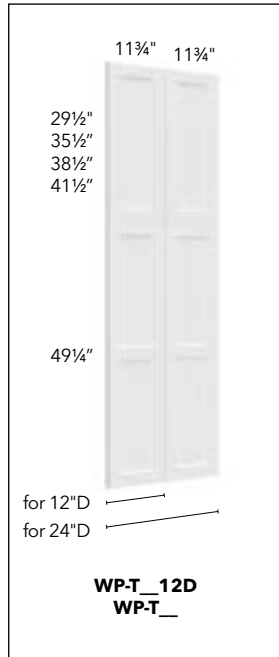
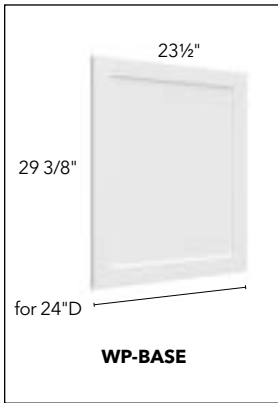
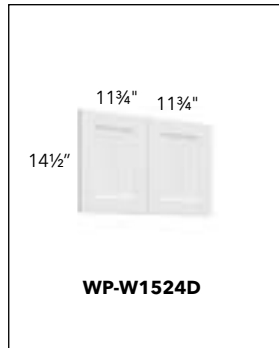
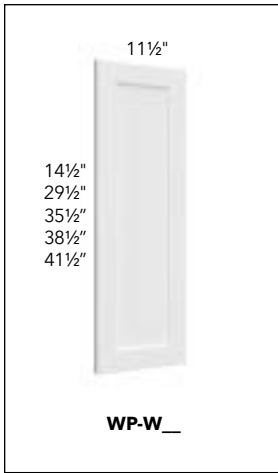


RFP696 & RFPEC ASSEMBLED



SFP696 & SFPEC ASSEMBLED

Panels



WAINSCOT PANEL

ITEM
WP-BASE
WP-T84
WP-T90
◆ WP-T93
WP-T96
WP-T8412D
WP-T9012D
◆ WP-T9312D
WP-T9612D
WP-W15
WP-W18
WP-W30
WP-W36
◆ WP-W39
WP-W42
WP-W1524D

- Same profile as cabinet door (3/4" thick)
- Base: 23 1/2"W x 29 3/8"H
- Wall: 11 1/2"W x 14 1/2" / 29 1/2" / 35 1/2" / 41 1/2"
- Wall 24"D: 11 3/4"W x 14 1/2"H (includes 2 doors)
- Tall 12"D: Includes a set of 2 doors. Height matches that of pantry configuration.
- Tall 24"D: Includes a set of 4 doors.
 - 84" high: 11 3/4"W x 49-1/4"H (Bottom Doors); 11-3/4"W x 29-1/2"H (Upper Door)
 - 90" high: 11 3/4"W x 49-1/4"H (Bottom Doors); 11-3/4"W x 35-1/2"H (Upper Door)
 - 96" high: 11 3/4"W x 49-1/4"H (Bottom Doors); 11-3/4"W x 41-1/2"H (Upper Door)
- 24" D Pantries: includes a set of 4 doors
- 12"D Pantries: includes a set of 2 doors
- ◆ Available for Galaxy - Frost, Dove, Indigo, Timber, & Desert Oak Only

NOTE: Wainscot Panels may come with hinge holes pre-drilled on the back of the door

Panels & Columns



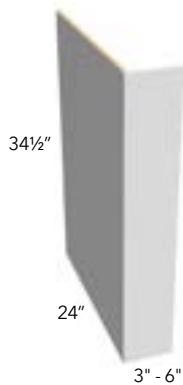
DECO DOOR

ITEM

- * DD B06FD
- DD W0930 DOOR
- DD W1230 DOOR
- DD W1530 DOOR
- DD W1830 DOOR
- DD W2130 DOOR

- Size of door reflects same size as standard cabinet doors
- Comes pre-drilled for hinges
- * DD B06FD: Has reduced-width left & right stiles. Designed to be combined with a 6" wide filler for installation on a 6" Spice Pull-Out Accessory. Hinge drilling not available. Deco profile matches that of Door Style ordered.

NOTE: Deco Doors may have an extended ETA. DD B06FD is made to order and carries a longer lead time of 30 business days.

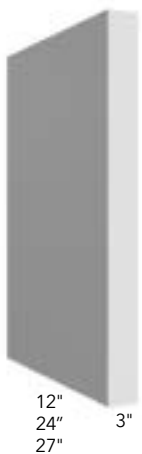


DISHWASHER RETURN END PANEL

ITEM

- DWR1-1/2
- DWR3
- DWR6

- Sides are flush finished, (no 1/4" reveal)



COLUMNS

ITEM

- CLM-3012
- CLM-3612
- ◆ CLM-3912
- CLM-4212
- CLM-96
- CLM-BASE

- Base: 24" deep
- Tall: 27" deep
- Wall: 12" deep
- To cut column see modifications available on pg. 56
- Any size custom column can be created for additional charge
- Sides are flush finished (no 1/4" reveal)
- Back is unfinished
- ◆ Available for Galaxy - Frost, Dove, Indigo, Timber, & Desert Oak Only

NOTE: 15"D Wall Columns have been discontinued. Limited quantities of CLM-30, CLM-36, and CLM-42 available while supplies last.

Paint & Touch Up Kits



PAINT

ITEM
PAINT PT
PAINT QT

- Available for all stock Signature and Designer Collection Painted Finishes.
- May be ordered by the Pint or Quart. Quart sizes will be shipped out in the equivalent amount of 1-Pint size cans to fulfill the order.
- Not intended to be used to refinish a cabinet or item such as a decorative door.

DISCLAIMER: Fabuwood takes no responsibility for improper application and/or imperfections caused by using this item. Touch-ups & Finishing applications are recommended to be completed by a qualified cabinet installer.

NOTE: Paint is not Pre-Catalyzed. Comes with a bottle of Catalyzer & includes mixing instructions.



PAINT SPRAY CAN

ITEM
PSC

- Available for all stock Signature and Designer Collection Color finishes.
- Paint Spray Can may be used for general touch-ups. Suggested Uses: Spraying the edges of molding before installation, cosmetic touch-up after installation, spraying the edges of TK8 or loose PAN-1/4 finished end skins.
- Note: Not intended to be used to refinish a cabinet or accessory such as trim moldings.
- Due to the complexity of Fabuwood finishes, Paint Spray Cans are not available for stained finishes.

DISCLAIMER: Fabuwood takes no responsibility for improper application and/or imperfections caused by use of Paint Spray Can. Touch-ups are recommended to be completed by a qualified cabinet installer.



TOUCH UP KIT

ITEM
TOUCH UP KIT

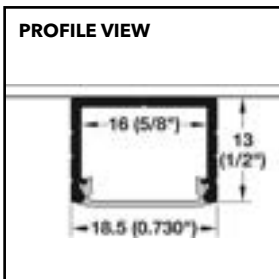
- Includes stick, marker, scraper & four shelf clips
- Available in our stock Signature and Designer Collection Color finishes

LOOSE EDGE BAND

ITEM
EDGE-BAND

- Additional edge banding (price per linear foot)

Cabinet Lighting



UNDER CABINET LED

ITEM
LED W09
LED W12
LED W15
LED W18
LED W21
LED W24
LED W27
LED W30
LED W33
LED W36
LED W39

- Dimmable. Settings allow for adjustment between Warm White to Cool White lighting
- Light temperature range of 2700-5000K
- LED Lighting bars are designed to be surface-mounted underneath a wall cabinet
- Consists of an aluminum channel housing with diffuser cover
- Requires Driver, Mesh Connector, & Recommended Light Switch (purchased separately).

Note: Installation by a qualified cabinetry installer or electrician is recommended.

Cabinet Lighting



LED FLS30 WALNUT SHOWN

FLOATING SHELF WITH LED

ITEM
LED FLS24
LED FLS30
LED FLS36
LED FLS42
LED FLS48
LED FLS54
LED FLS60

FLOATING SHELF WITH LED - TIMBER

ITEM
LED FLS24 TIMBER
LED FLS30 TIMBER
LED FLS36 TIMBER
LED FLS42 TIMBER
LED FLS48 TIMBER
LED FLS54 TIMBER
LED FLS60 TIMBER

FLOATING SHELF WITH LED - WALNUT

ITEM
LED FLS24 WALNUT
LED FLS30 WALNUT
LED FLS36 WALNUT
LED FLS42 WALNUT
LED FLS48 WALNUT
LED FLS54 WALNUT
LED FLS60 WALNUT

- Dimmable. Settings allow for adjustment between Warm White to Cool White lighting
- Light temperature range of 2700-5000K
- Floating shelves include a Light Bar with 6.5ft Lead and a 6.5ft Extension Lead
- LED Light Bar for Floating Shelves ship loose and are to be installed in the field
- Channel is pre-routed to accommodate LED light bar installation
- Floating Shelves with LED are available in Stock Paint and Stain Finishes, Walnut and are to be specified at time of order. For Finishing to a custom color, must be ordered as Dove or Frost.
- Requires Driver, Mesh Connector, & Recommended Light Switch (purchased separately).

Note: Installation by a qualified cabinetry installer or electrician is recommended.

Cabinet Lighting



PUCK LIGHT

COVER CAP

LEAD

PUCK LIGHT SET

ITEM

LED 2-1/4" PUCK

- Designed to recess into the bottom of a cabinet or soffit box.
- Includes puck light, silver cover cap, and lead
- Light temperature range of 2700-5000K
- Requires Driver, Mesh Connector, & Recommended Light Switch (purchased separately).

Note: Installation by a qualified cabinetry installer or electrician is recommended.

LED INTERIOR CABINET LIGHTING

ITEM

LED CAB INT 48" STRIP



- Flexible LED Lighting Strip designed for interior cabinet lighting.
- Strip can be trimmed in 2" intervals to fit as needed
- Medium Intensity lighting
- Requires Driver, Mesh Connector, & Recommended Light Switch (purchased separately).

Note: Installation by a qualified cabinetry installer or electrician is recommended.

TUNABLE LED STRIP

ITEM

LED STRIP TUNABLE WHITE 10MM



- Flexible LED Lighting Strip designed for ambient cabinet lighting.
- Full length is 86-9/16"
- Includes two pre-attached 7/8-3/4" leads, one on each end
- Features uniform light output: LED dots are not visible
- Encased in a silicone sleeve eliminating the need for a profile
- Strip can be trimmed in 2" intervals to fit as needed
- Requires Driver, Mesh Connector, & Recommended Light Switch (purchased separately).

Note: Installation by a qualified cabinetry installer or electrician is recommended.

Cabinet Lighting



DRIVER

ITEM

LED DRIVER

- 90w Driver 24V
- Includes power cord

Installation by a qualified cabinetry installer or electrician is recommended



MESH CONNECTOR

ITEM

LED MESH CONNECTOR

- 4-Port Mesh Distribution Box
- Bluetooth-enabled (Can pair with Wall Switch)

Installation by a qualified cabinetry installer or electrician is recommended



WIRELESS WALL LIGHT SWITCH

ITEM

LED WLS SWITCH

- Leviton Decora-style Wall Switch with Dimmer Function

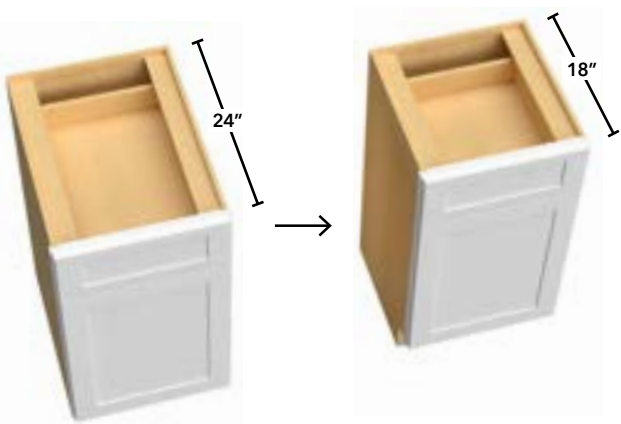
Note: Installation by a qualified cabinetry installer or electrician is recommended.

Modifications

Cut Modifications

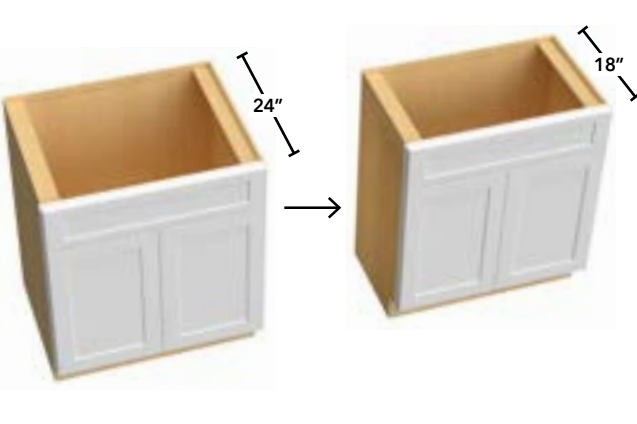
ITEM
CUT-BASE

- Reduce depth of base cabinet (min. depth 12")



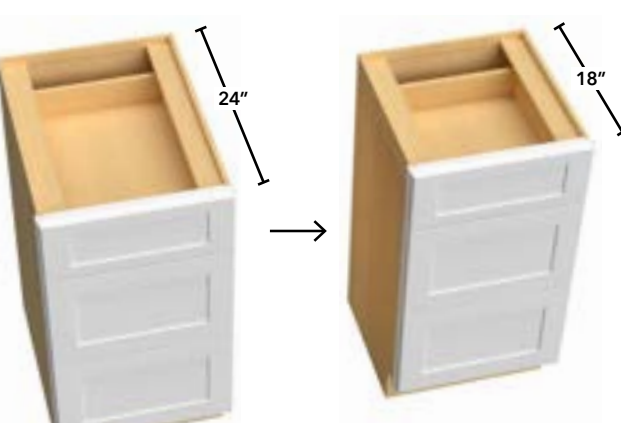
ITEM
CUT-SBASE

- Reduce depth of sink base cabinet (4" min.)



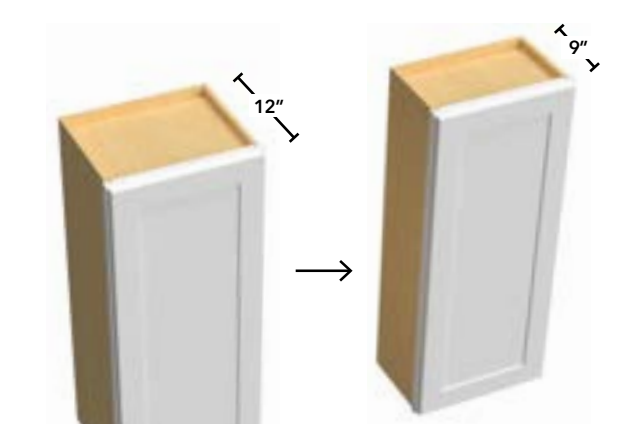
ITEM
CUT-DBASE

- Reduce depth of drawer base cabinet (min. depth 12")



ITEM
CUT-WALL

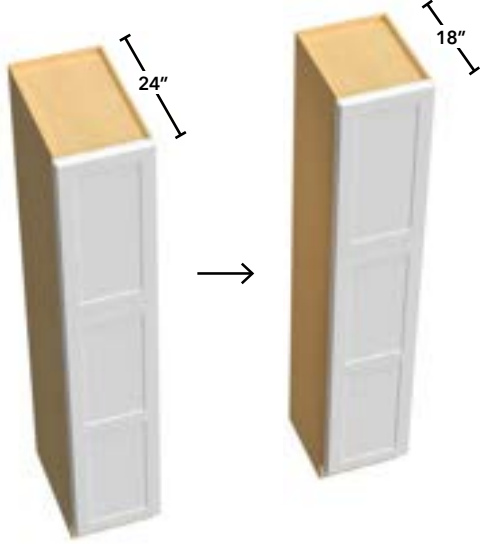
- Reduce depth of wall cabinet (4" min.)



Cut Modifications

ITEM
CUT-TALL

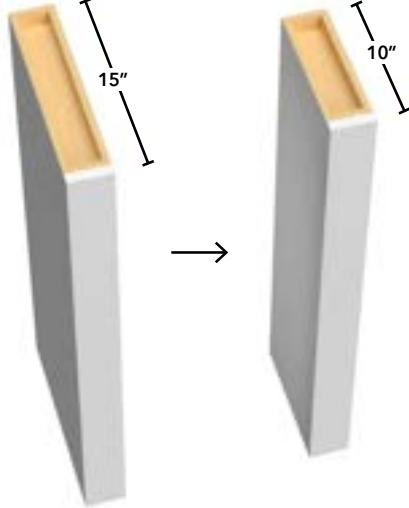
- Reduce depth of tall cabinet (4" min.)



The diagram shows a 3D perspective of a tall cabinet. On the left, a dimension line indicates a depth of 24 inches. An arrow points to the right, where the cabinet is shown again, but with a dimension line indicating a reduced depth of 18 inches.

ITEM
CUT-COLUMN

- Reduce depth of column (specify depth)




The diagram shows a 3D perspective of a cabinet column. On the left, a dimension line indicates a depth of 15 inches. An arrow points to the right, where the column is shown again, but with a dimension line indicating a reduced depth of 10 inches.

ITEM
CUT-DOOR*

- Cut out center panel of door for glass insert (per door, glass not included)
- MATCH-INTERIOR must be added separately
- Not available for Luna

Note: For Luna door style, enter as a Custom Door and select 'Prepped for Glass' as the Center-Panel option.

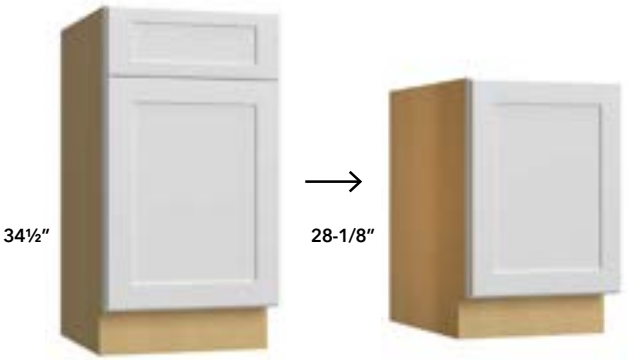


The diagram shows a 3D perspective of a cabinet door. On the left, the door has a solid center panel. An arrow points to the right, where the door is shown again, but with the center panel removed, leaving a rectangular opening for a glass insert.

ITEM
CUT-BASE HEIGHT

- Reduce height of base cabinet by cutting off top drawer (total base height: 28-1/8")
- Designed to create a base cabinet that can be used with a Range Top appliance

NOTE: Modification is only available for Base cabinets with a standard top drawer. Not available for 2-Drawer Base, Farm Sink, or File Drawer.




The diagram shows a 3D perspective of a base cabinet. On the left, the cabinet has a top drawer and a dimension line indicating a total height of 34 1/2 inches. An arrow points to the right, where the cabinet is shown again, but with the top drawer removed, and a dimension line indicating a total height of 28 1/8 inches.

Cut Modifications

ITEM
CUT-TK

- Reduce toe kick height
- Specify total cabinet height when selecting modification.
- Will ship Toe Kick loose if full height of toe kick is removed.



The diagram shows a white cabinet with a brown base. On the left, the cabinet has a toe kick labeled "4 1/2\"". An arrow points to the right, where the same cabinet is shown with a shorter toe kick labeled "2\"".

ITEM
CUT-ROD

- Reduce depth of rollout drawer (specify depth of cabinet)
- CUT-ROD modification will be automatically added when CUT-depth reduction has been applied to a cabinet with a ROD accessory selected.
- Roll Out Drawer is trimmed from the back to new depth. Back panel will no longer be dovetailed.

Note: to add CUT-ROD on ROD Roll Out Drawers being ordered loose, please contact your Customer Service Teams for assistance.

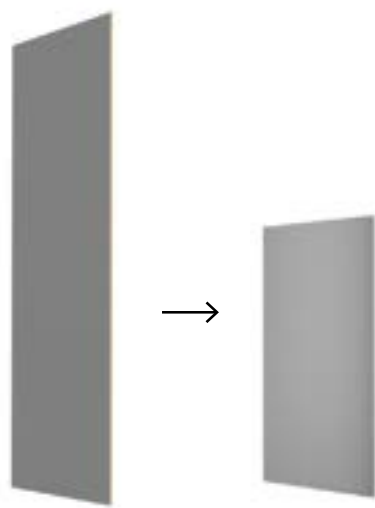


The diagram shows a wooden rollout drawer. An arrow points to the right, where the same drawer is shown from a different perspective, appearing shallower in depth.

ITEM
CUT-PANEL

- Cut down a panel to any size

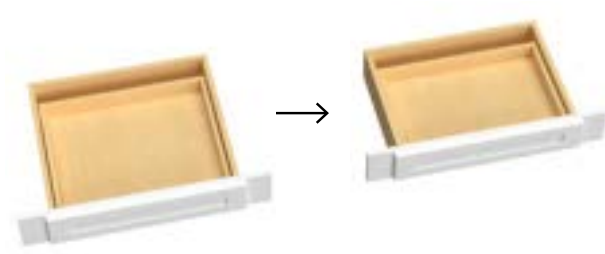
*Note: cut sides do not include edge-banding.
Contact Customer Service to request application via Custom Shop, or add EDGE-BANDING (QTY per L.F.) as a loose accessory item for field application.*



The diagram shows a tall, narrow grey panel on the left. An arrow points to the right, where a shorter, narrower grey panel is shown.

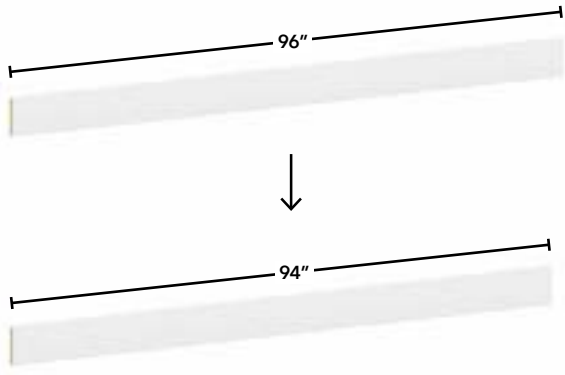
ITEM
CUT-KD30

- Reduce depth of knee drawer cabinet (specify depth of cabinet)



The diagram shows a white knee drawer cabinet. An arrow points to the right, where the same cabinet is shown from a different perspective, appearing shallower in depth.

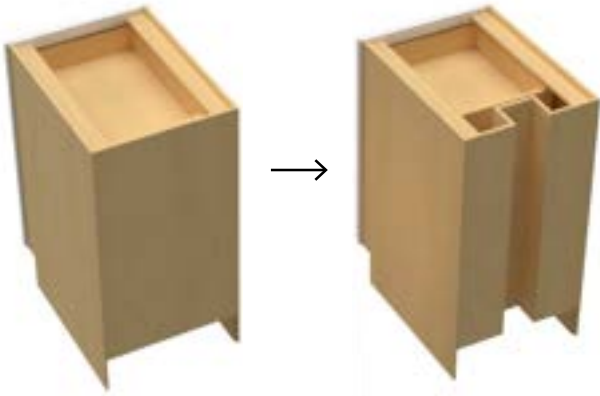
Cut Modifications

ITEM
CUT 2" FROM 96" MOLDING
<ul style="list-style-type: none">• <i>Cut molding to 94" to avoid excessive length parcel charge</i>


Pipe Chase

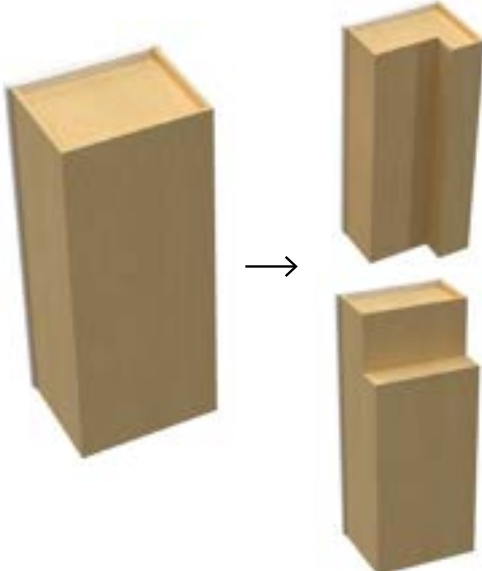
ITEM
CHASE-BASE

- Make chase in base cabinet
- **Must supply a drawing for all chase modifications.**



ITEM
CHASE-WALL

- Make chase in wall cabinet
- **Must supply a drawing for all chase modifications.**



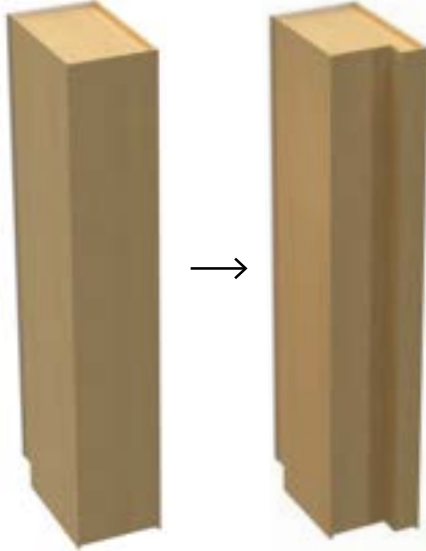
ITEM
CHASE-DBASE

- Make chase in drawer base cabinet
- **Must supply a drawing for all chase modifications.**



ITEM
CHASE-TALL

- Make chase in tall cabinet
- **Must supply a drawing for all chase modifications.**

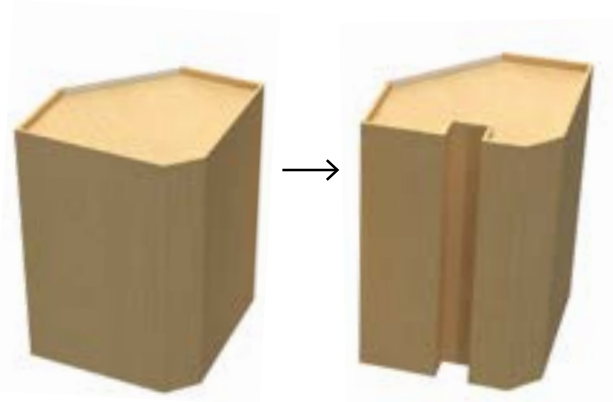


Pipe Chase

ITEM

CHASE-CORNER

- *Make chase in corner cabinet (WDC, WPC & ERB only)*
- **Must supply a drawing for all chase modifications.**



Create Returns

ITEM

CREATE-RETURN WALL

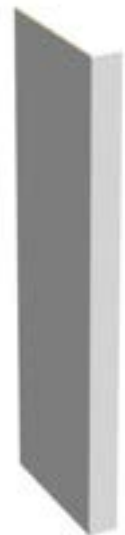
- Create a return wall filler up to 6"W x 15"D x 42"H (materials incl.)
- Email customquotes@fabuwood.com for quote



ITEM

CREATE-RETURN TALL

- Create a return tall filler up to 6"W x 30"D x 96"H (materials incl.)
- Email customquotes@fabuwood.com for quote



Custom Columns & Doors

ITEM

CUSTOM CLM

CUSTOM CLM-OS

Custom Columns & Oversized Custom Columns available to order on EZ-Pricing Online.

- Available in 1/4" increments.
- Back is unfinished

CUSTOM CLM Specifications:

Width

- Minimum: 1-1/2"
- Maximum: 6"

Height

- Minimum: 12"
- Maximum: 96"

Depth

- Minimum: 6"
- Maximum: 30"

CUSTOM CLM-OS Specifications

Width

- Minimum: 1-1/2"
- Maximum: 3"

Height

- Minimum: 96-1/4"
- Maximum: 120"

Depth

- Minimum: 6"
- Maximum: 30"

ITEM

CUSTOM DOOR*

CUSTOM DRAWER FRONT

CUSTOM DECO PANEL

Custom Doors, Drawer Fronts & Deco Panels available to order on EZ-Pricing Online.

- Available in 1/16" increments.
- Sizing and availability subject to restrictions & door style selected.

NOTE: Oversize items will receive a Warranty Disclaimer and will not be covered under Fabuwood's Warranty.

Lead Time:

All custom order doors, fronts & deco panels receive extended lead times. Lead times to be advised at time of order placement & may be subject to change.

* CUSTOM DOOR offers the following configuration options:

1. Center Panel:

- Standard Center-Panel
- Prepped for Glass

2. Hinging:

- With hinge holes
- With hinge holes on top as Lift-up
- With no hinge holes

Additional custom options available:

For custom panel configurations, modified stile & rail widths, Wine Cooler Door Overlays or other non-standard requests please email customquotes@fabuwood.com for pricing.

Refer to Selling Sheet for more information.

Customizations

ITEM

HAMPER

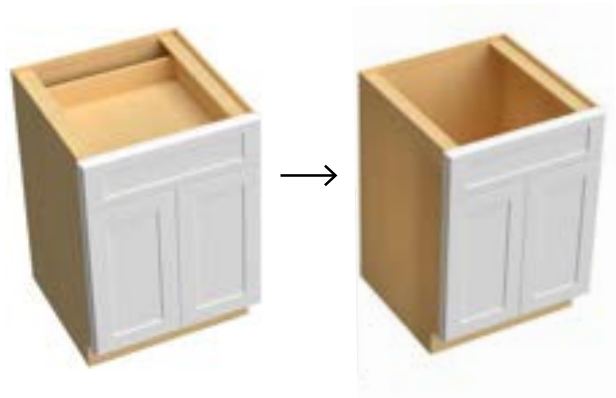
- Install door mounted pull out wood hamper in cabinet (cabinet not incl.)
- 18"high Hamper is constructed of natural 1/2" plywood
- Installed with undermount slides
- Custom height at 21" can be requested through Custom Quotes



ITEM

REMOVE DRAWER

- Remove cabinet drawer to create false drawer front



ITEM

INSTALL-ACCES

- Accessories not included
- Email customquotes@fabuwood.com for quote
- Specify any Third Party accessory for Fabuwood to order & install in a cabinet. Dealer to provide Manufacturer & Model Number.
- Accessory pricing and installation cost vary by item.
- Accessory lead times & availability may vary & are subject to change depending on item(s) selected.

ITEM

CLOSE-BLIND

- Close open section of a blind wall or base cabinet

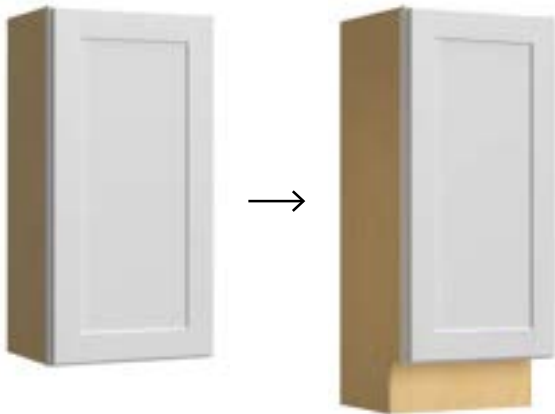


Customizations

ITEM

ATTACH-TK

- Attach toe kick on wall cabinet
- Choose from the following options: *FLUSH TK, Recess Right, Recess Left (or a combination or all three options)*



Customizations

ITEM

RECESS-TK

- Recess toe kick of base cabinet
- Choose from the following options: Left, Right, Back or a combination of all three.



ITEM

PEN-CABINET

- Create a peninsula cabinet from 2 cabinets
- Peninsula side will include standard Recessed Toe Kick



ITEM

INCREASE-WALL

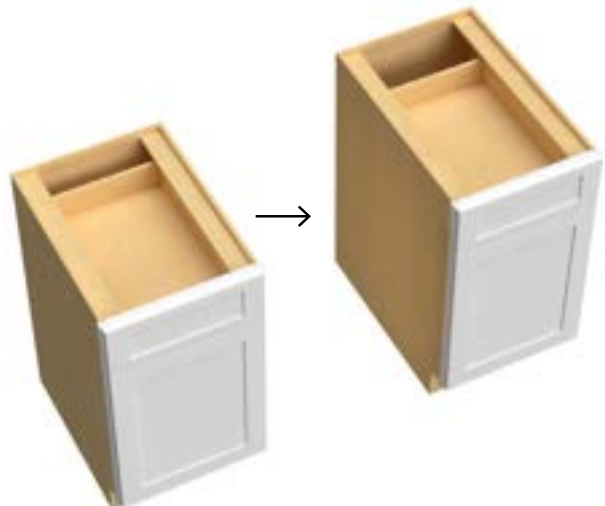
- Increase depth on wall cabinet
- Increased depth of roll-out drawers and shelves are by custom request only and is not included as part of this modification. Custom quote required.



ITEM

INCREASE-BASE

- Increase depth on base cabinet
- Increased depth of roll-out drawers and shelves are by custom request only and is not included as part of this modification. Custom quote required.

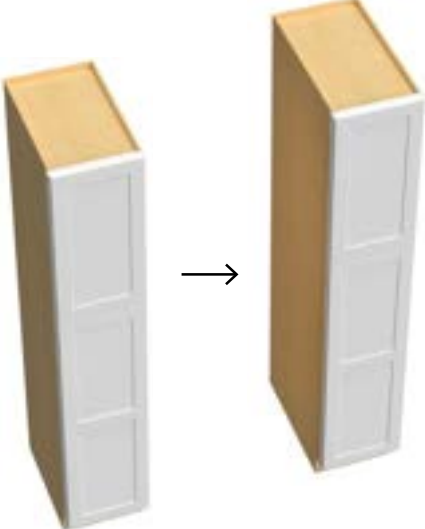


Customizations

ITEM

INCREASE-TALL

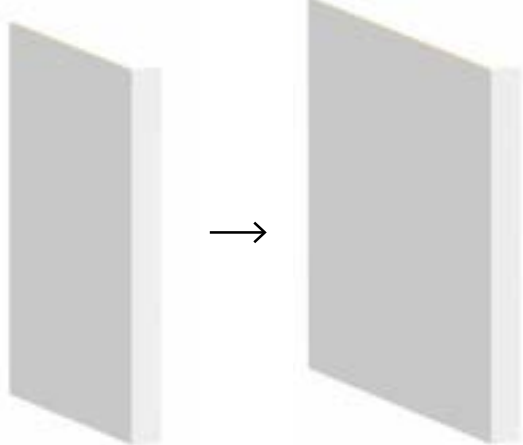
- Increase depth on tall cabinet
- Increased depth of roll-out drawers and shelves are by custom request only and is not included as part of this modification. Custom quote required.



ITEM

INCREASE-PANEL


- Increase depth of DWR in 1/4" increments



ITEM

CHOOSE-INTERIOR

- Finish full interior of cabinet to selected finish color or stain
- Finished ends must still be specified
- Not available for NDW, WOS, WR/WC/WO cabinets, Vanities, and TP's.



ITEM

MATCH-INTERIOR

- Finish full interior of cabinet to match exterior
- Finished ends must still be specified

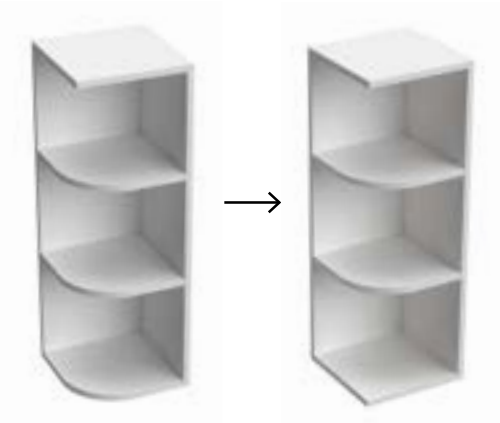


Customizations

ITEM

CREATE- SQ BOTTOM

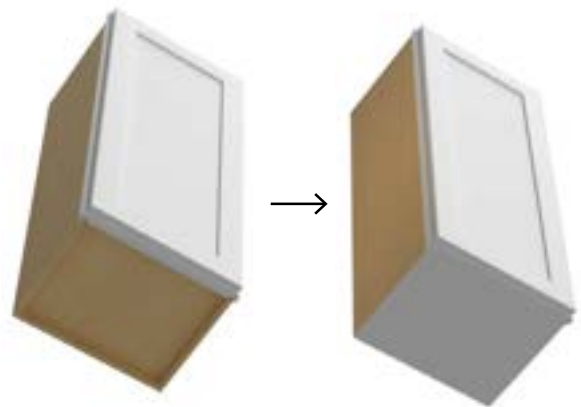
- Create square bottom shelf for open end cabinet to allow the use of light rail molding



ITEM

FLUSH-WALL BOTTOM

- Flush the bottom of a wall cabinet
- Bottom will be finished to match exterior finish



ITEM

FLUSH-TOE KICK

- Flush toe kick of base cabinet to face frame (sides not finished)



ITEM

FULL-DOORS

- Create a Full-Height Door Base Cabinet on an existing Base Cabinet using Face Frame & Door Set from a 30" high Wall Cabinet.



Customizations

ITEM

FILL HINGE-SEAM

- Fills hinge holes with touch-up, seam will still be visible*
- Hinges are removed; doors will still be included and are packaged inside the cabinet



ITEM

CLOSE FRONT-OC

- Fabuwood can close the open panel of a base microwave, base oven, tall oven, or wall microwave cabinet by adding 3/4" plywood to the inside of the frame.



BMC30 SHOWN

ITEM

CREATE-BMC

- Modified drawer base with top two drawers removed and support shelf installed above the bottom drawer. Full panel placed in the front to be cut on job site to fit oven cabinet dimensions. .



ITEM

CREATE-BOC

- Modified base cabinet with drawer and doors removed and replaced with full panel in the front. Panel to be cut on job site to fit oven dimensions.



Customizations

ITEM

INSERT BROOM DIVIDER

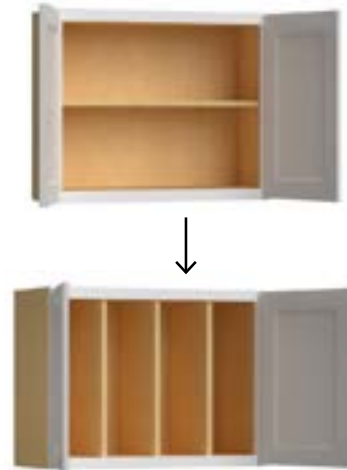
- Divide the bottom section of a pantry to use for a broom closet. A cutout will be made in the center fixed shelf to allow space for the broomstick.
- Broom section is 6" wide.



ITEM

INSERT DIVIDER

- Inserts 1/2" vertical trays into standard wall or base cabinet from 9"W - 36"W
- Widths 9" - 18": QTY 1 only
- Widths 21" - 24": QTY 1, 2
- Widths 27" - 30": QTY 1, 2, 3
- Widths 33" - 36": QTY 1, 2, 3, 4



ITEM

INVERT FRAME-BASE

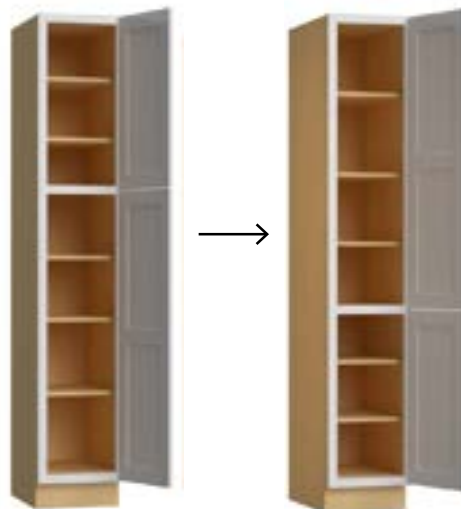
- Modifying standard base cabinet, the drawer and drawer are inverted with door at the top and drawer on the bottom.
- Fixed shelf with front rail is inverted above the drawer
- When selected vanity depth is not available, an additional cut-base charge will apply.



ITEM

INVERT FRAME-TALL

- Modifying standard tall pantry, the frame and doors are inverted to have the tall door on the top and short door on the bottom.
- A groove is added to adjust the fixed shelf height



Customizations

ITEM

REMOVE FLOOR

- Bottom panel, bottom rail, and toe kick (if applicable) are removed from frame.
 - Bottom panel grooves are filled in and support is added for shipping.
- Note: Cabinets with full center stile are not eligible for this modification*



ITEM

TK DRAWER

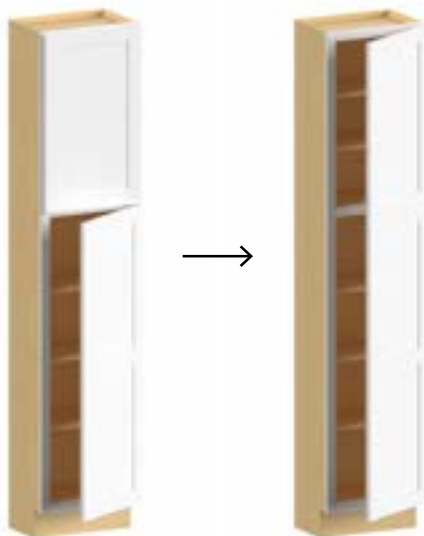
- Installs drawer into the toekick of a base cabinet.



ITEM

CONNECT DOORS

- Connect doors of tall cabinet with dowels to create one larger door.
- CUT-DOOR & FILL HINGE-SEAM modifications cannot be used in conjunction with CONNECT DOORS



ITEM

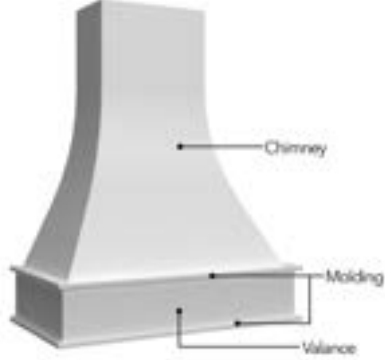
EDGE BAND

- Apply edge band on selected side of panel.

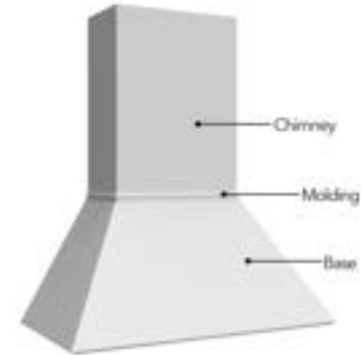
Two Tone Hood Modification

ITEM
2-TONE FINISH
<ul style="list-style-type: none"> • Add an accent finish to a hood's base, chimney, moldings, or valance • Available for Allure's chimney-style hoods: Euro, Farmhouse, Signature, and Curved Artisan <ul style="list-style-type: none"> » Not available for Arched hood (RHA) • Available for Signature/Designer Collection Color finishes and Stained Hoods, including TIMBER specific SKUs <ul style="list-style-type: none"> » Not available for Pure Custom Colors or WALNUT finish

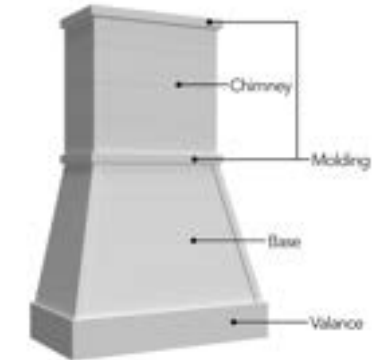
RHCA



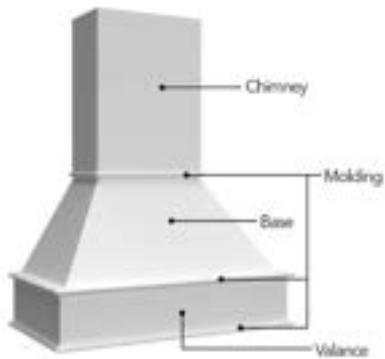
RHE



RHF



RHS



Upgrades & Configurations

UPGRADES

ITEM	DESCRIPTION
GLAZE	Custom glazes available for a charge
FINISHING	Refinish from Signature Paint Color to a Signature, Designer Collection, or Pure Custom paint color.*
FINISHING SURCHARGE	Custom Color Set-Up Fee**
FINISHING - RFD	Refinish third party accessory to a stock or custom color paint***

* Refer to Dealer Policies & Procedures for full details. Sample Door recommended. Sample Doors & Custom Set-Up Fee are required for Pure Custom Colors.

** Set-Up Fee is waived for Signature & Designer Collection Colors.

*** Available for painted finishes only. Restrictions may apply. Dealer may request to have a 3rd Party Item refinished.

◊ Email customquotes@fabuwood.com for quote

Many more modifications available- please contact your customer service rep.

CONFIGURATIONS

ITEM	DESCRIPTION
FINISHED END-BASE	Apply finished end skin to side of base cabinet
FINISHED END-WALL	Apply finished end skin to side of wall cabinet
FINISHED END-TALL	Apply finished end skin to side of tall cabinet

Loose Parts

LOOSE PARTS



BLUM-COMPACT RES CLIP



STEM BUMPER



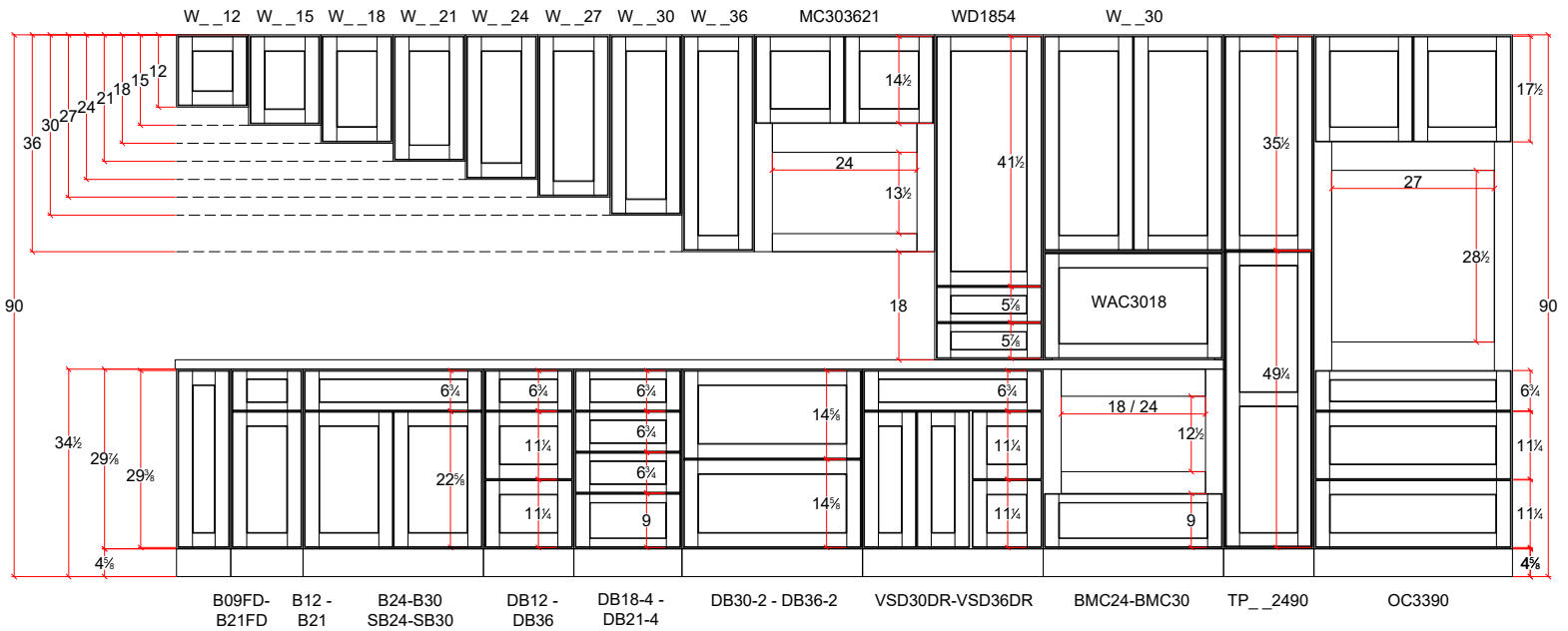
SHELF CLIP

ITEM	DESCRIPTION
BLUM-COMPACT RES CLIP 10PK	PACK OF 10 BLUM-COMPACT ANGLE RESTRICTION CLIP
STEM BUMPER	Individual Stem Bumper
AS-CLIP-1	Allure Shelf Clips - Set for 1 Shelf (Qty 4)
AS-CLIP-2	Allure Shelf Clips - Set for 2 Shelves (Qty 8)
AS-CLIP-3	Allure Shelf Clips - Set for 3 Shelves (Qty 12)
AS-CLIP-4	Allure Shelf Clips - Set for 4 Shelves (Qty 16)
AS-CLIP-5	Allure Shelf Clips - Set for 5 Shelves (Qty 20)
AS-CLIP-6	Allure Shelf Clips - Set for 6 Shelves (Qty 24)

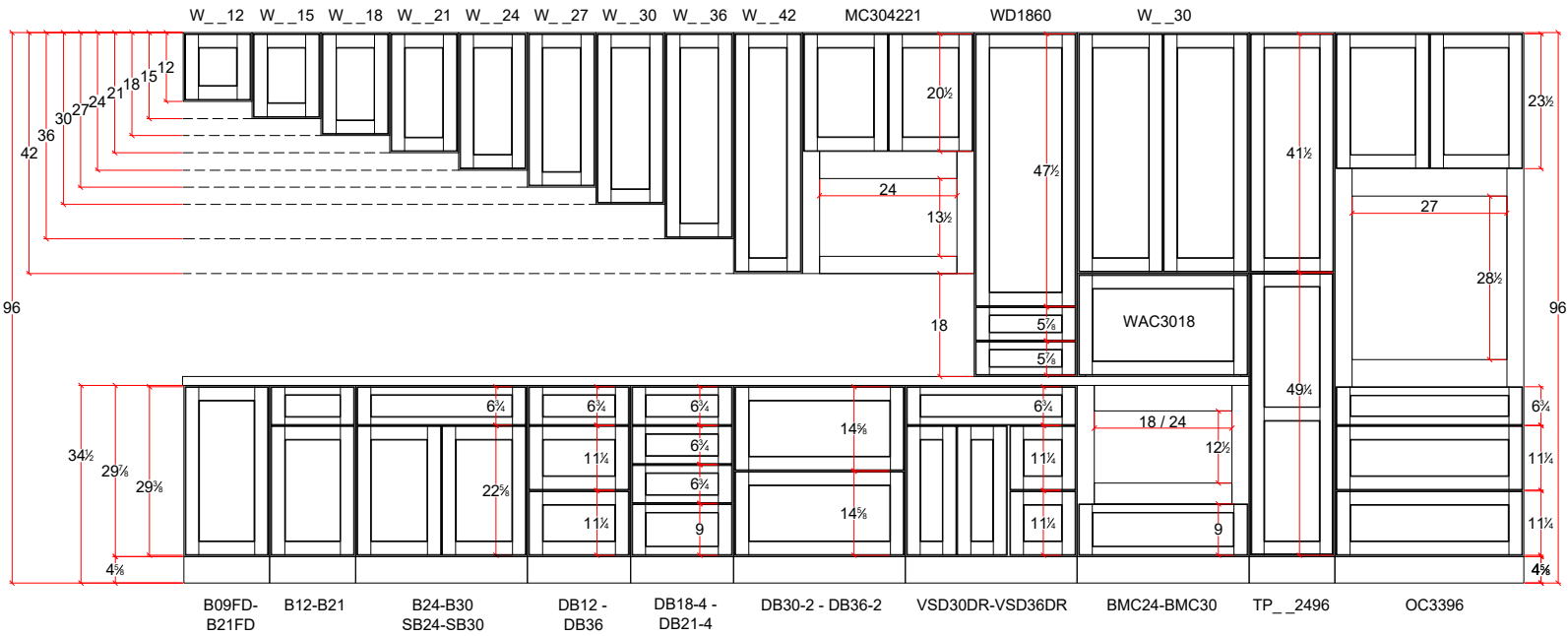
- *Compact Angle Restrictor Clip:*
 - BLUM Angle Restriction Clip for COMPACT BLUMOTION and COMPACT CLIP hinges.
 - Reduces swing from 110-deg to 86-deg
 - One clip required per every two hinges. For a 30" high door, use 1 clip. For 36" to 42" high Door, use 2 clips.
 - *Installation Tip:* Remove the door from the cabinet prior to installing the angle restriction clip. Insert the clip into the back of the cup hinge arm while it is in a 'closed' position.

Height Alignment Guide

90" Height Alignment



96" Height Alignment



SKU Glossary

B	Base Cabinet	GDWDC	Glass Door for Wall Diagonal Cabinet
B_FD	Base Full Door Cabinet	ICM	Inside Corner Molding
BBM	Base Board Molding	KD	Knee Drawer
BEP	Base End Panel	LED FLS	Light Bar for Floating Shelf
BF	Base Filler	LED SKIT WLS	Starter Set Power Supply with Wireless Switch
BLB	Blind Base Cabinet	LED W	Under Cabinet Light Bar for Wall Cabinet
BM	Batten Molding	LRM	Light Rail Molding
BMC	Base Microwave Cabinet	LSB	Lazy Susan Base
BOC	Base Oven Cabinet	LSP	Lazy Susan with Plastic Trays
BPP	Beaded Panel Plank	LSW	Lazy Susan with Wood Trays
BRA	Base Return Angle	MBS	Mini Sample Base
BTL	Base Transitional Left	MC	Microwave Cabinet
BTR	Base Transitional Right	MEX	Molding Extension
CBKD-B	Cutting Board & Knife Drawer for Base	MLK	Molding Chain
CD-L	Large Cutlery Divider Insert	MW	Microwave With Shelf
CD-S	Small Cutlery Divider Insert	NDW	No Door Wall Cabinet
CD-XL	X-Large Cutlery Divider Insert	NDWDC	No Door Wall Diagonal Cabinet
CHD-B	Charging Drawer for Base	OC	Oven Cabinet
CLM	Column	OC__C	Oven Cabinet Combo
CM	Crown Molding	OC__D	Oven Cabinet Double
CMCB	Mission Corbel Countertop Bracket	OC__S	Oven Cabinet Single
CML	Mission Corbel Large	OCM	Outside Corner Molding
CMS	Mission Corbel Small	OE	Open End
CP	Corner Post	OEL	Open End Left
CWO	Cookware Organizer	OER	Open End Right
DB	Drawer Base Cabinet (3 Drawer)	OLF	Overlay Filler
DB__2	Drawer Base with 2 Drawers	PAN	Panel
DB__4	Drawer Base with 4 Drawers	PLY	Plywood
DCD	Double Cutlery Drawer	PP-BASE	Plain Pilaster for Base
DD	Decorative Door	PP-T	Plain Pilaster for Tall
DFG	Door Prepped For Glass	PP-W	Plain Pilaster for Wall
DFGWD	Door Prepped For Glass Wall Drawer	PSC	Paint Spray Can
DKI	Double Knife Drawer	QRM	Quarter Round Molding
DSB	Diagonal Sink Base Cabinet	REP	Refrigerator End Panel
DSF	Diagonal Sink Front	RHA	Range Hood Arched
DSFL	Diagonal Sink Floor	RHBB	Range Hood Broan Blower
DTD-D	Deep Tiered Drawer	RHCA	Range Hood Curved Artisan
DWR	Dishwasher Return	RHE	Range Hood Euro
ERB	Easy Reach Base	RHF	Range Hood Farmhouse
FD	File Drawer	RHS	Range Hood Signature
FLS	Floating Shelf	ROD	Roll Out Drawer
FS	Farm Sink Base	SB	Sink Base
GDW	Glass Door for Wall Cabinet	SD	Sample Door

SKU Glossary

SG23	Style Guide Brochure	WF	Wall Filler
SHL	Ship Lap	WO	Wall Organizer
SM_-D	Decorative Scribe Molding	WOS	Wall Open Shelf
SM_-S	Simple Scribe Molding	WP	Wainscot Panel
SP	Standard Post	WPC	Wall Pie Cut Cabinet
SPO-B	Spice Pull Out for Base	WR	Wine Rack
SPO-BF	Spice Pull Out for Base Filler		
SPO-WF	Spice Pull Out for Wall Filler		
STKM	Stacking Molding		
STRM	Starter Molding		
TBPO-BF	Towel Bar Pull Out for Base Filler		
TC	Trash Can Drawer		
TC_FHD	Trash Can Drawer for Full Height Door		
TCV	Vanity Depth Trash Can Drawer		
TDPO-B	Tray Divider Pull Out for Base		
TF	Tall Filler		
TK	Toe Kick		
TP	Tall Pantry		
TUK	Touch Up Kit		
UKBPO-B	Utensil & Knife Block Pull Out for Base		
UT	Utensil Tray Insert		
UVTCPO	U-Shaped Vanity Pull Out with Trash Can		
VAR	Arched Valance		
VARP	Arched Valance with Recessed Panel		
VASR	Door-Mounted Vanity Appliance Storage Rack		
VB	Vanity Base		
VB_FD	Vanity Base Full Door		
VDL	Vanity Desk Leg		
VDO	Vanity Drawer Organizer		
VGO	Vanity Grooming Organizer with Outlet		
VOPO	Vanity Organizer Pull Out		
VSF	Vanity Sink Base		
VSD	Vanity Sink & Drawer Combo		
VSD_DL	Vanity Sink & Drawer Combo with Drawers on Left		
VSD_DR	Vanity Sink & Drawer Combo with Drawers on Right		
VST	Straight Valance		
W	Wall Cabinet		
WAC	Wall Sppliance Cabinet		
WAE	Wall Angle End		
WBC	Wall Blind Cabinet		
WC	Wine Cube		
WD	Wall Drawer Cabinet		
WDC	Wall Diagonal Cabinet		

Copyright © 2026 by Fabuwood Cabinetry Corp.

All rights reserved.

No part of this publication may be reproduced, distributed, or transmitted in any form or by any means, including photocopying, scanning, or other electronic or mechanical methods, including online sharing, without the prior written permission of Fabuwood Cabinetry Corp.

