



Illume

Specifications Guide / Valid until April 2026

Please Note: Items are subject to change without prior notice. This spec book is missing some updated information, so to stay up to date with product specifications and modification options please use our digital spec book which can be found at <https://ezpricing.fabuwood.com/specbook>

New! Interactive Index

Specbook Updates	III	Tall Cabinets	22
Construction Specifications	IV	13" Deep Tall Pantry Cabinets	22
Q12®	VI	24" Deep Tall Pantry Cabinets	23
Limited Lifetime Warranty	VII	Oven Cabinets	24
Door Styles	VIII	Vanity Cabinets	28
Door Styles	VIII	Vanities	28
Sample Doors	XII	Storage Accessories	31
Sales Tools	XVI	Base Accessories	31
Modifications	XVIII	Waste Solutions	33
Loose Items	XIX	Wall Accessories	34
Wall Cabinets	1	Sink Accessories	35
12"- 24" High Wall Cabinets	1	Cabinet Accessories	36
12"- 24" High & 24" Deep Wall Cabinets	2	Fillers	36
30" High Wall Cabinets	3	Columns	37
36" High Wall Cabinets	5	End Panels	38
42" High Wall Cabinets	7	Panels	39
Specialty Wall Cabinets	9	Wainscot Panels	40
Microwave Wall Cabinets	10	Moldings (8')	41
Wine Cabinets	11	Height Alignment Guide	40
Base Cabinets	12		
Base Cabinets	12		
Drawer Base Cabinets	14		
Blind Base Cabinets	15		
Corner Base Cabinets	16		
Sink Base Cabinets	17		
Specialty Base Cabinets	18		

Specbook Updates

- **NEW! Sample Door Bag** [pg. XVIII](#)
- **NEW! Modifications** [pg. XXIII](#)
 - » EDGE BAND: Apply edge band on selected side of panel
 - » INCREASE-PANEL: Increase depth of DWR in 1/4" increments
- **NEW! Wine Cubes** [pg. 11](#)
- **NEW! DB24-2** [pg. 14](#)
- **NEW! Cabinet Accessories** [pg. 28](#)
- **NEW! Floating Shelves** [pg. 32](#)
- **NEW! Overlay Fillers** [pg. 38](#)
- **Notice Regarding Illume Customizations** [pg. IV](#)
- **Height Alignment Guide** [pg. 45](#)

Construction Specifications

Doors and Drawer Fronts:

Doors and drawer fronts in the Illume line feature an MDF core with high-quality Pro Touch Technique lacquered boards and edge-banding in Gloss or Matte Finishes.

Hinges:

BLUM Concealed Clip-On Hinges with BLUMOTION Soft-Close and Quick-Release Technology. Hinges are six-way adjustable and open at 110°. Please note: Lazy Susan, Easy Reach, and Wall Pie Cut cabinets do not feature the soft-close mechanism.

Drawers:

The Illume line includes the BLUM MERIVOBX Metal Drawer System with an indium gray interior. MERIVOBX drawers have concealed Full-Extension Slides and Integrated BLUMOTION Soft-Close technology with a 75 lb dynamic load capacity.

Shelving:

3/4" thick Engineered Furniture Board (EFB) shelves, edge-banded in White Linen textured laminate. The adjustable shelves are supported by metal shelf clips. All standard depth base cabinetry includes an 18" deep adjustable shelf, wall cabinetry 12" deep adjustable shelves, and tall cabinetry 21" deep adjustable shelves.

Box:

The Illume line features Cutting-Edge Threespine® Click Technology for a frameless box with tight seams & rigid construction. Sides, top & bottom panels are 3/4" Engineered Furniture Board (EFB) with front edges edge-banded in White Linen Textured Laminate & White Linen Interior. The back panel is 1/4" Medium Density Fiberboard (MDF) with 5/8" thick hanging rails.

Toe Kick:

Adjustable furniture feet included with Base & Tall Cabinets for easy leveling during installation; included are clip-on brackets for toe kick trim attachment.

Matching lengths of Toe Kick are available to purchase separately. Toe Kick is 3/4" Engineered Furniture Board (EFB) with edge-banding on all sides.

Installation Note:

Illume Cabinets are shipped with a protective film on the front face and edge-banding of all Doors, Front Panels, Wainscot Panels, Finished Accessories. Film is recommended to be removed after installation of cabinetry & job site construction is complete.

Notice regarding Illume Customizations:

Any customizations for the Illume Frameless line are manufactured and assembled in our Newark Manufacturing facility and will not include the Threespine® Click Technology.

Construction Specifications

- 1 3/4" MDF slab door & drawer front
- 2 BLUM Concealed Clip-On Hinges with BLUMOTION Soft-Close and Quick-Release Technology. Hinges are six-way adjustable and open at 110°
- 3 BLUM MERIVOBX Metal Drawer System with a indium gray interior, 2-5/8" interior drawer height
- 4 3/4" Machine Edge-Banding, matches White Linen interiors
- 5 1/4" Engineered Furniture Board (EFB) back panel with 5/8" hanging rails, finished with White Linen Textured Laminate
- 6 3/4" Engineered Furniture Board (EFB) side panels, finished with White Linen Textured Laminate
For matching side panels to complement the Door Style Finish, Wainscot Panels are available (purchased separately)
- 7 3/4" Engineered Furniture Board (EFB) adjustable shelving, Edge-Banded with White Linen Textured Laminate
- 8 Black plastic furniture feet*, adjustable from 3-3/4" to 5-3/8"
- 9 5-1/2" wide panel beams, front and rear
- 10 Base cabinet has 18" deep shelves
- 11 Wall cabinets are 13" deep with 12" interior depth
- 12 Rubber bumpers for door and drawer fronts.
- 13 Adjustable shelf clips.



* Note for Cabinets with Adjustable Furniture Feet:
The overall height dimensions listed throughout the specbook for these cabinets are **before** installation of the included foot attachment.

Featuring


Finish Specifications



Gloss Grigio

Gloss Finish

- 18mm thick / MDF / High Gloss Lacquered Surface
- Composed of a high-quality MDF board, pressed with a decorative paper infused with resins and protective elements.
- Top coat consisting of High Gloss Lacquer with UV drying applied to the front face
- Highly Scratch-Resistant: Unique qualities that allow it to be applied in environments with continuous contact of objects.
- High Gloss: Technology offers extraordinary beauty in its reflection and finishes.



Matte Carbone

Matte Finish

- 18mm thick / MDF / Matte Lacquered Surface
- Composed of a high-quality MDF board, pressed with a decorative paper infused with resins and protective elements.
- Top coat consisting of Matte Lacquer with UV curing applied to the front face.
- Silk Touch: Velvet and silk surface texture with extreme softness.
- Anti-Fingerprint: Innovative solution that stands out for its anti-fingerprint properties that prevent finger marks.
- Repair of Superficial Micro-Scratches (Self-Repairing): Technology used allows micro-scratches to be easily repaired.



Como Ash 2

Textured Finish

- 18mm thick / EFB / Resin-Based Coating with Textured Relief Details
- Composed of an Engineered Furniture Board (EFB) base, pressed with a decorative paper infused with resins and protective elements.
- Unique resin formula, for very realistic relief finishes with greater depth of detail.
- Natural-Look Finishes: Surfaces with great beauty, organic feel, and high decorative level.



What exactly defines a Q12 cabinet?

To fully achieve Q12 eligibility, a cabinet must encompass twelve unique standards of quality. Read below to learn more about the twelve fundamental pillars that establish the Q12 qualification:

Q1: CAREFULLY SELECTED ELEMENTS

To ensure the absolute integrity of our product, each element is carefully selected. We start by choosing only "Grade-A" materials and make no compromises along the way.

Q2: PRO-TOUCH TECHNIQUES

Our Allure and Illume cabinets offer high-end finishes that are as beautiful as they are durable and practical. Fabuwood's distinctive pro-touch techniques allow for a sustainable and resilient cabinet finish that is not only easy to clean but will retain its beautiful luster for years.

Q3: ADVANCED CONSTRUCTION

Our Allure Dovetail and Illume Threespine® construction methods are superior, innovative, and built for a lifetime of use. Fabuwood offers cabinets of the utmost strength, on par with the highest industry standards. Our attention to detail, coupled with advanced construction techniques, means a long lasting, superior quality cabinet every time.

Q4: ANTI-WARP STRUCTURES

All our cabinets are engineered in a way that eliminates warping, ensuring the cabinets hold up against elemental pressures. Crafted to perfection, every detailed component is created with unfailing durability. Each cabinet we produce is held to a high standard, ensuring long-lasting reliability.

Q5: METAL SHELF CLIPS

To maintain a maximum level of stability that preserves a shelf's longevity, these metal shelf clips assure sturdiness and durability. With this feature your shelves are sure to stand the test of time.

Q6: TOUGH BACK BUILDS

For superior structural longevity, the back builds on the Allure and Illume series are built tough and easy to install. Our rigorous pressure testing guarantees that our products won't give in.

Q7: FLUSH FIT

To achieve an attractive appearance that is convenient and practical, our Q12 cabinets are built with a flush fit to ensure smooth surfaces and easy in-and-out access.

Q8: UNIQUE INTERIORS

The interior finish of our cabinets is as important as the exterior. Fabuwood offers high end, unique interior finishes for a clean and sophisticated look.

Q9: ONE-CLICK INSTALLATION

In addition to our soft-close action feature, the cutting-edge Blum Compact Clip Hinge allows for lightning-fast one-click installation and release.

Q10: FLUID FULL-EXTENSION

Our cabinets are built with smooth full-extension glides to guarantee an enhanced running action that maximizes its storage to full capacity. Fabuwood manufactures its cabinets with Blum's runners and soft-closing technology, utilizing space while also preventing damage and deterioration.

Q11: EZ LEVEL DRAWER FRONTS

On both framed and frameless products, to achieve an aesthetically graceful balance and ensure proper drawer alignment and function, our cabinets use an effortless system, utilizing a degree of mechanical precision for installing perfectly positioned drawer faces.

Q12: LIMITED LIFETIME WARRANTY

Our integrity-defining limited lifetime warranty is our commitment to quality and excellence. The warranty reflects our pledge to always back our cabinets while delivering an immaculate product. With precise crafting techniques, Q12 cabinets are poised for a lifetime of use.

Limited Lifetime Warranty

COVERAGE OF WARRANTY

Fabuwood Cabinetry Corp. ("Fabuwood") is pleased to provide the following limited warranty to the first residential purchaser on all cabinets sold in the United States and Canada by an authorized Fabuwood dealer. This warranty does not cover cabinets sold or shipped outside of the United States and Canada. A First Residential Purchaser ("First Residential Purchaser") is a person who purchases and installs the cabinets in a dwelling that is owned and used by that person as a primary or secondary home, or, in the case of a developer or builder, this limited warranty may be assigned to the initial purchaser who uses the dwelling as a primary or secondary home. This warranty, however, is not transferable to subsequent owners of the home. This limited warranty is subject to all limitations, exclusions, disclaimers and procedures set forth herein.

LIMITED LIFETIME WARRANTY (Only on Allure, Illume, Value Premium, and Quest series cabinets): Fabuwood warrants to the First Residential Purchaser that all cabinets purchased from Fabuwood will be free from all unnatural defects in material and workmanship in accordance with Fabuwood's Quality Standards under normal residential use as long as the First Residential Purchaser owns the home in which such cabinets are installed.

EXCLUSIONS

THIS WARRANTY SUPERSEDES ANY AND ALL PREVIOUS WARRANTIES BY FABUWOOD AND CONSTITUTES THE EXCLUSIVE REMEDY AGAINST FABUWOOD FOR ALL DEFECTS, DAMAGES AND WORKMANSHIP. THERE ARE NO IMPLIED WARRANTIES EXTENDING BEYOND THE TERMS OF THIS WARRANTY. TO THE MAXIMUM EXTENT PERMITTED BY APPLICABLE LAW, FABUWOOD SHALL NOT BE LIABLE FOR ANY INDIRECT, SPECIAL, PUNITIVE, INCIDENTAL OR CONSEQUENTIAL COSTS, EXPENSES OR DAMAGES (INCLUDING LOST PROFITS), EVEN IF THIS LIMITED LIFETIME WARRANTY IS DEEMED TO HAVE FAILED OF ITS ESSENTIAL PURPOSE. SOME STATES DO NOT ALLOW THE EXCLUSION OR LIMITATION OF INCIDENTAL OR CONSEQUENTIAL DAMAGES, SO THE ABOVE LIMITATION OR EXCLUSION MAY NOT APPLY TO YOU. THIS WARRANTY GIVES YOU SPECIFIC LEGAL RIGHTS, AND YOU MAY ALSO HAVE OTHER RIGHTS, WHICH VARY FROM STATE TO STATE. IT IS POSSIBLE THAT ONE OR MORE OF THE LIMITATIONS AND EXCLUSIONS IN THIS WARRANTY MAY NOT APPLY TO YOU. THE LIMITED LIFETIME WARRANTY ON ALLURE, ILLUME, VALUE PREMIUM AND QUEST SERIES CABINETS APPLIES ONLY TO PRODUCTS PURCHASED ON OR AFTER OCTOBER 1, 2024. VALUE PREMIUM & QUEST SERIES CABINETS PURCHASED PRIOR TO OCTOBER 1, 2024, AND ALLURE & ILLUME SERIES CABINETS PURCHASED BEFORE JANUARY 26, 2023, ARE NOT INCLUDED IN THE LIMITED LIFETIME WARRANTY AND ARE SUBJECT TO FABUWOOD'S LIMITED 5-YEAR WARRANTY.

LIMITATIONS

This warranty shall become void if the cabinets, cabinetwork, drawer slides or hinges are modified from its original form, improperly installed or damaged prior to or during the installation, or used in any way other than for residential purposes. This warranty covers only parts and materials of the cabinets as supplied by Fabuwood. This warranty does not cover any products used or installed in connection with cabinets, such as gas or electric appliances, countertops, or plumbing fixtures. It also does not cover Blum hinges or any other third-party manufactured accessories or enhancements.

This warranty does not apply to products installed in locations that do not maintain year-round environmental controls. This warranty shall not apply to damages caused by transportation, storage, dirt, chemicals, exposure to moisture, humidity or excessive heat or cold, nor does it cover the effects arising from normal wear and tear, misuse, neglect, accidents, alterations, improper use or failure to maintain properly, house settling, or acts of God. No installer, retailer, distributor, agent or employee of Fabuwood has the authority to alter the obligations or limitations in this warranty.

QUALITY STANDARDS

This warranty covers all damages and unnatural defects that are deemed as such under the Fabuwood Quality Standards. The Fabuwood Quality Standards, which will be provided to you by your Fabuwood dealer upon request, should be reviewed at the time a claim for warranty service is being considered. Fabuwood reserves the right to modify or change the Fabuwood Quality Standards at any time without notice.

DISCLAIMERS

The following is a brief recap of some of the characteristics of the wood and finishes on the cabinets you are about to purchase. Please read them carefully. If some of these characteristics concern you, please choose something else. We bring these characteristics to your attention so you will realize that Fabuwood will not be held responsible for these variations in your cabinetry. It is important to note that wood products claimed as defective are most often the result of

atmospheric conditions such as excess moisture and humidity. Fabuwood strongly recommends testing the intended location of the products for such conditions prior to installation.

WOOD AND COLOR VARIATIONS: Wood is a product of nature, and since no two trees are alike, cabinets may vary in color, texture and grain. Wood characteristics naturally occurring such as variations in color, grain, mineral streaks, pinholes and knots are not considered defects. Color variations in cabinets are also a natural occurrence due to species, age, character of cabinets, and exposure to UV light, smoke, certain household cleaners, sunlight, extreme temperatures, and other environmental conditions. For these reasons, new and/or replacement cabinets may not match display samples and/or existing cabinets. This may result in overall color variations and is not considered a defect.

WOOD DOORS, DRAWER FRONTS, AND FACE FRAMES: Wood by nature will undergo expansion and contraction movements over the years as it compensates and adjusts to ever changing atmospheric humidity and temperature conditions. It is very common for center panels on doors to shrink, expand or move during these changes. Typically, the panel will return to its normal position within a year once it has adjusted to seasonal changes. It is for these same reasons that it is very common for doors to warp during these periods. Doors that are warped up to 1/4" are not considered defective. [Note: It is advisable to check if the door was properly installed, since doors that appear warped are very often the result of improper installation.] Painted doors, drawer fronts, and face frames may eventually have visible cracking around the joint areas, and cabinet colors may darken or lighten over time. These variations are considered to be the nature of the material in relation to their environmental exposure and are not covered under this Limited Lifetime Warranty.

PAINTED FINISHES: Plywood is a non-porous, smooth grained wood. Additionally, wood by nature undergoes periods of expansion and contraction while it adjusts to atmospheric conditions mentioned above. As such, finish stress lines may become visible on painted cabinets especially at the joints. Any such occurrence is not considered a defect.

GLAZED FINISHES: A glazed finish by character is an uneven finish. Some edges and profiles will be larger than others and glazing may vary cabinet to cabinet, door to drawer and item to item. This may result in overall color, texture, and finish variations but these are not considered defects.

WARRANTY PERFORMANCE

If a defect does occur within the terms and conditions of this warranty such defective part will be repaired or replaced by Fabuwood at its sole discretion. Fabuwood will not provide or pay for the cost of removal of defective product, transportation of defective, repaired or replaced product or installation of repaired or replaced product. If it is not commercially feasible to repair or replace a defective product, we may refund the original price paid by you for the defective product or provide a credit towards a similar type of product sold by us. Fabuwood will not be responsible for any shipping damages to the defective, replaced or repaired product. If defective item has been discontinued or is not available at the time, Fabuwood reserves the right to replace the item with the most similar item available in Fabuwood's inventory at that time. Fabuwood reserves the right to alter design, specifications and material without obligation to make similar changes to products previously manufactured. Fabuwood cannot guarantee that the finish of any replacement will exactly match the finish and appearance of the defective item due to the natural ageing process of the wood and finishes of the cabinets. Fabuwood may require at its discretion that the customer submit a clear photo, or that a company representative inspect the item being claimed before honoring this warranty.

CLAIMS

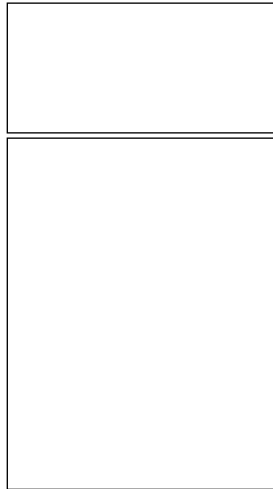
For a warranty claim made by the First Residential Purchaser to be considered, please contact the original Fabuwood-authorized dealer, who must file the claim through the Fabuwood EZ pricing system. In the event that the original dealer cannot be identified, or they have closed down, the warranty claim must be emailed to customerservice@fabuwood.com. The email should explain the issue and include pictures showing the claimed defects. Feel free to call +1 201-432-6555 ext. 1 for assistance.

NOTE

Please do not send back any items to Fabuwood prior to receiving proper Replacement Material Authorization ("RMA") from Warranty Support. Fabuwood takes no responsibility on any items sent back to Fabuwood without proper RMA.

Last Modified October 1, 2024: Change to include Value Premium, and Quest series cabinets under the Limited Lifetime Warranty. Previously Modified January 26, 2023: Change of the warranty on Allure and Illume series cabinets from a Limited 5-year Warranty to the Limited Lifetime Warranty.

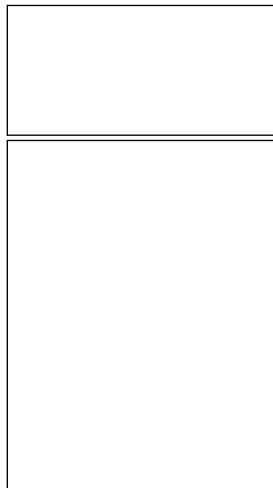
Door Styles



CATALINA

COLOR	FINISH
Bianco (ICBG)	Gloss
Grigio (ICGG)	Gloss
Bianco (ICBM)	Matte
Carbone (ICCM)	Matte
COMO ASH 2	Textured
MURATTI 1	Textured
MURATTI 4	Textured
NOCCE 3	Textured
OLMO 3	Textured

- Full Overlay Slab Door and Drawer Fronts (Euro Overlay with Frameless Box)
- Blum Clip-On Hinges with Blumotion Soft-Close and Quick-Release Technology (Blum Model#71B358E)
- MERIVOBX Full-Extension Metal Drawer System with Blumotion Concealed Runners
- Wood grain textures are not pattern matched

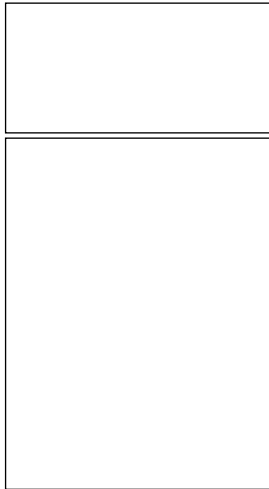


CATALINA DESIGNER'S COLLECTION

COLOR	FINISH
COMO ASH 1 (ICDC)	Textured
FRAPPE 1 (ICDC)	Textured
ICE CREAM 1 (ICDC)	Textured
IDA 1 (ICDC)	Textured
IDA 2 (ICDC)	Textured
NOCCE 1 (ICDC)	Textured
ROSALES 1 (ICDC)	Textured
ROSALES 2 (ICDC)	Textured
ROSALES 3 (ICDC)	Textured
WOODLINE 1 (ICDC)	Textured
WOODLINE 3 (ICDC)	Textured
WOODLINE 4 (ICDC)	Textured

- Full Overlay Slab Door and Drawer Fronts (Euro Overlay with Frameless Box)
- Blum Clip-On Hinges with Blumotion Soft-Close and Quick-Release Technology (Blum Model#71B358E)
- MERIVOBX Full-Extension Metal Drawer System with Blumotion Concealed Runners
- Wood grain textures are not pattern matched

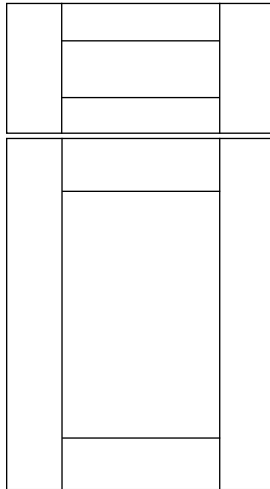
Door Styles


CATALINA DESIGNER'S COLLECTION CONT.

COLOR	FINISH
AGUA MARINA (ICDC)	Gloss
AZUL INDIGO (ICDC)	Gloss
AZUL MARINO (ICDC)	Gloss
BLACK (ICDC)	Gloss
BLANCO (ICDC)	Gloss
CASHMERE (ICDC)	Gloss
EUROLINE (ICDC)	Gloss
GRIS NUBE (ICDC)	Gloss
GUAYANA (ICDC)	Gloss
METALLO 1 (ICDC)	Gloss
METALLO 4 (ICDC)	Gloss
OLIVO (ICDC)	Gloss
TEXTIL PLATA (ICDC)	Gloss
AGUA MARINA (ICDC)	Matte
ANTRACITA (ICDC)	Matte
AZUL INDIGO (ICDC)	Matte
AZUL MARINO (ICDC)	Matte
BASALTO (ICDC)	Matte
BLACK (ICDC)	Matte
BLANCO (ICDC)	Matte
CASHMERE (ICDC)	Matte
GRIS PLOMO (ICDC)	Matte
VERDE SALVIA (ICDC)	Matte

- Full Overlay Slab Door and Drawer Fronts (Euro Overlay with Frameless Box)
- Blum Clip-On Hinges with Blumotion Soft-Close and Quick-Release Technology (Blum Model#71B358E)
- MERIVOBX Full-Extension Metal Drawer System with Blumotion Concealed Runners
- Wood grain textures are not pattern matched

Door Styles

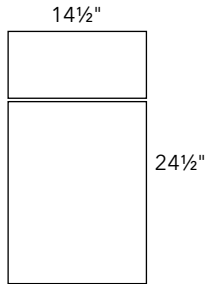


TUSCANY DESIGNER'S COLLECTION

COLOR	FINISH
COMO ASH 1 (ITDC)	Textured
COMO ASH 2 (ITDC)	Textured
FRAPPE 1 (ITDC)	Textured
IDA 1 (ITDC)	Textured
IDA 2 (ITDC)	Textured
MURATTI 1 (ITDC)	Textured
MURATTI 4 (ITDC)	Textured
NOCCE 1 (ITDC)	Textured
NOCCE 3 (ITDC)	Textured
OLMO 3 (ITDC)	Textured
ROSALES 1 (ITDC)	Textured
ROSALES 2 (ITDC)	Textured
ROSALES 3 (ITDC)	Textured
WOODLINE 1 (ITDC)	Textured
WOODLINE 3 (ITDC)	Textured
ANTRACITA (ITDC)	Matte
AZUL INDIGO (ITDC)	Matte
AZUL MARINO (ITDC)	Matte
BASALTO (ITDC)	Matte
BLANCO (ITDC)	Matte
CASHMERE (ITDC)	Matte

- Full Overlay 5-Piece & matching 5-piece Drawer Fronts (Euro Overlay with Frameless Box)
- Blum Clip-On Hinges with Blumotion Soft-Close and Quick-Release Technology (Blum Model#71B358E)
- MERIVOBX Full-Extension Metal Drawer System with Blumotion Concealed Runners
- Wood grain textures are not pattern matched

Sample Doors

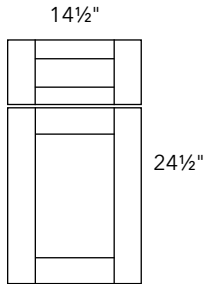


CATALINA DOOR SAMPLES WITH DRAWER FRONT

ITEM	DESCRIPTION
SDICBG	CATALINA BIANCO GLOSS SAMPLE DOOR
SDICGG	CATALINA GRIGIO GLOSS SAMPLE DOOR
SDICBM	CATALINA BIANCO MATTE SAMPLE DOOR
SDICCM	CATALINA CARBONE MATTE SAMPLE DOOR
SDICC2	CATALINA COMO ASH 2 SAMPLE DOOR
SDICM1	CATALINA MURATTI 1 SAMPLE DOOR
SDICM4	CATALINA MURATTI 4 SAMPLE DOOR
SDICN3	CATALINA NOCCE 3 SAMPLE DOOR
SDICO3	CATALINA OLMO 3 SAMPLE DOOR
SDIC COMO ASH 1	CATALINA COMO ASH 1 SAMPLE DOOR
SDIC FRAPPE 1	CATALINA FRAPPE 1 SAMPLE DOOR
SDIC ICE CREAM 1	CATALINA ICECREAM 1 SAMPLE DOOR
SDIC IDA 1	CATALINA IDA 1 SAMPLE DOOR
SDIC IDA 2	CATALINA IDA 2 SAMPLE DOOR
SDIC NOCCE 1	CATALINA NOCCE 1 SAMPLE DOOR
SDIC ROSALES 1	CATALINA ROSALES 1 SAMPLE DOOR
SDIC ROSALES 2	CATALINA ROSALES 2 SAMPLE DOOR
SDIC ROSALES 3	CATALINA ROSALES 3 SAMPLE DOOR
SDIC WOODLINE 1	CATALINA WOODLINE 1 SAMPLE DOOR
SDIC WOODLINE 3	CATALINA WOODLINE 3 SAMPLE DOOR
SDIC WOODLINE 4	CATALINA WOODLINE 4 SAMPLE DOOR
SDIC AGUA MARINA G	CATALINA AGUA MARINA GLOSS SAMPLE DOOR
SDIC AZUL INDIGO G	CATALINA AZUL INDIGO GLOSS SAMPLE DOOR
SDIC AZUL MARINO G	CATALINA AZUL MARINO GLOSS SAMPLE DOOR
SDIC BLACK G	CATALINA BLACK GLOSS SAMPLE DOOR
SDIC BLANCO G	CATALINA BLANCO GLOSS SAMPLE DOOR
SDIC CASHMERE G	CATALINA CASHMERE GLOSS SAMPLE DOOR
SDIC EUROLINE G	CATALINA EUROLINE GLOSS SAMPLE DOOR
SDIC GRIS NUBE G	CATALINA GRIS NUBE GLOSS SAMPLE DOOR
SDIC GUAYANA G	CATALINA GUAYANA GLOSS SAMPLE DOOR
SDIC METALLO 1 G	CATALINA METALLO 1 GLOSS SAMPLE DOOR
SDIC METALLO 4 G	CATALINA METALLO 4 GLOSS SAMPLE DOOR
SDIC OLIVO G	CATALINA OLIVO GLOSS SAMPLE DOOR
SDIC TEXTIL PLATA G	CATALINA TEXTIL PLATA GLOSS SAMPLE DOOR
SDIC AGUA MARINA M	CATALINA AGUA MARINA MATTE SAMPLE DOOR
SDIC ANTRACITA M	CATALINA ANTRACITA MATTE SAMPLE DOOR
SDIC AZUL INDIGO M	CATALINA AZUL INDIGO MATTE SAMPLE DOOR
SDIC AZUL MARINO M	CATALINA AZUL MARINO MATTE SAMPLE DOOR
SDIC BASALTO M	CATALINA BASALTO MATTE SAMPLE DOOR
SDIC BLACK M	CATALINA BLACK MATTE SAMPLE DOOR
SDIC BLANCO M	CATALINA BLANCO MATTE SAMPLE DOOR
SDIC CASHMERE M	CATALINA CASHMERE MATTE SAMPLE DOOR
SDIC GRIS PLOMO M	CATALINA GRIS PLOMO MATTE SAMPLE DOOR
SDIC VERDE SALVIA M	CATALINA VERDE SALVIA MATTE SAMPLE DOOR

Pricing Note: Sales Tools are NET pricing; virtual multiplier applies to these items. Final price listed on Quote/Order will reflect the virtual multiplier.

Sample Doors

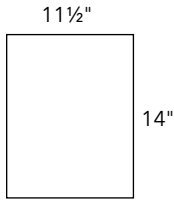


TUSCANY DOOR SAMPLES WITH DRAWER FRONT

ITEM	DESCRIPTION
SDIT COMO ASH 1	TUSCANY COMO ASH 1 SAMPLE DOOR
SDIT COMO ASH 2	TUSCANY COMO ASH 2 SAMPLE DOOR
SDIT FRAPPE 1	TUSCANY FRAPPE 1 SAMPLE DOOR
SDIT IDA 1	TUSCANY IDA 1 SAMPLE DOOR
SDIT IDA 2	TUSCANY IDA 2 SAMPLE DOOR
SDIT MURATTI 1	TUSCANY MURATTI 1 SAMPLE DOOR
SDIT MURATTI 4	TUSCANY MURATTI 4 SAMPLE DOOR
SDIT NOCCE 1	TUSCANY NOCCE 1 SAMPLE DOOR
SDIT NOCCE 3	TUSCANY NOCCE 3 SAMPLE DOOR
SDIT OLMO 3	TUSCANY OLMO 3 SAMPLE DOOR
SDIT ROSALES 2	TUSCANY ROSALES 2 SAMPLE DOOR
SDIT ROSALES 3	TUSCANY ROSALES 3 SAMPLE DOOR
SDIT WOODLINE 1	TUSCANY WOODLINE 1 SAMPLE DOOR
SDIT WOODLINE 3	TUSCANY WOODLINE 3 SAMPLE DOOR
SDIT ANTRACITA M	TUSCANY ANTRACITA MATTE SAMPLE DOOR
SDIT AZUL INDIGO M	TUSCANY AZUL INDIGO MATTE SAMPLE DOOR
SDIT AZUL MARINO M	TUSCANY AZUL MARINO MATTE SAMPLE DOOR
SDIT BASALTO M	TUSCANY BASALTO MATTE SAMPLE DOOR
SDIT BLANCO M	TUSCANY BLANCO MATTE SAMPLE DOOR
SDIT CASHMERE M	TUSCANY CASHMERE MATTE SAMPLE DOOR
SDIT VERDE SALVIA M	TUSCANY VERDE SALVIA MATTE SAMPLE DOOR

Pricing Note: Sales Tools are NET pricing; virtual multiplier applies to these items. Final price listed on Quote/Order will reflect the virtual multiplier.

Sample Doors

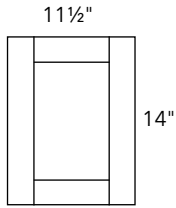


CATALINA SMALL DOOR SAMPLES

ITEM	DESCRIPTION
SDICBG-2	CATALINA BIANCO GLOSS SAMPLE DOOR 11 1/2" X 14"
SDICGG-2	CATALINA GRIGIO GLOSS SAMPLE DOOR 11 1/2" X 14"
SDICBM-2	CATALINA BIANCO MATTE SAMPLE DOOR 11 1/2" X 14"
SDICCM-2	CATALINA CARBONE MATTE SAMPLE DOOR 11 1/2" X 14"
SDICC2-2	CATALINA COMO ASH 2 SAMPLE DOOR 11 1/2" X 14"
SDICM1-2	CATALINA MURATTI 1 SAMPLE DOOR 11 1/2" X 14"
SDICM4-2	CATALINA MURATTI 4 SAMPLE DOOR 11 1/2" X 14"
SDICN3-2	CATALINA NOCCE 3 SAMPLE DOOR 11 1/2" X 14"
SDICO3-2	CATALINA OLMO 3 SAMPLE DOOR 11 1/2" X 14"
SDIC-2 COMO ASH 1	CATALINA COMO ASH 1 SAMPLE DOOR 11 1/2" X 14"
SDIC-2 FRAPPE 1	CATALINA FRAPPE 1 SAMPLE DOOR 11 1/2" X 14"
SDIC-2 ICE CREAM 1	CATALINA ICECREAM 1 SAMPLE DOOR 11 1/2" X 14"
SDIC-2 IDA 1	CATALINA IDA 1 SAMPLE DOOR 11 1/2" X 14"
SDIC-2 IDA 2	CATALINA IDA 2 SAMPLE DOOR 11 1/2" X 14"
SDIC-2 NOCCE 1	CATALINA NOCCE 1 SAMPLE DOOR 11 1/2" X 14"
SDIC-2 ROSALES 1	CATALINA ROSALES 1 SAMPLE DOOR 11 1/2" X 14"
SDIC-2 ROSALES 2	CATALINA ROSALES 2 SAMPLE DOOR 11 1/2" X 14"
SDIC-2 ROSALES 3	CATALINA ROSALES 3 SAMPLE DOOR 11 1/2" X 14"
SDIC-2 WOODLINE 1	CATALINA WOODLINE 1 SAMPLE DOOR 11 1/2" X 14"
SDIC-2 WOODLINE 3	CATALINA WOODLINE 3 SAMPLE DOOR 11 1/2" X 14"
SDIC-2 WOODLINE 4	CATALINA WOODLINE 4 SAMPLE DOOR 11 1/2" X 14"
SDIC-2 AGUA MARINA G	CATALINA AGUA MARINA GLOSS SAMPLE DOOR 11 1/2" X 14"
SDIC-2 AZUL INDIGO G	CATALINA AZUL INDIGO GLOSS SAMPLE DOOR 11 1/2" X 14"
SDIC-2 AZUL MARINO G	CATALINA AZUL MARINO GLOSS SAMPLE DOOR 11 1/2" X 14"
SDIC-2 BLACK G	CATALINA BLACK GLOSS SAMPLE DOOR 11 1/2" X 14"
SDIC-2 BLANCO G	CATALINA BLANCO GLOSS SAMPLE DOOR 11 1/2" X 14"
SDIC-2 CASHMERE G	CATALINA CASHMERE GLOSS SAMPLE DOOR 11 1/2" X 14"
SDIC-2 EUROLINE G	CATALINA EUROLINE GLOSS SAMPLE DOOR 11 1/2" X 14"
SDIC-2 GRIS NUBE G	CATALINA GRIS NUBE GLOSS SAMPLE DOOR 11 1/2" X 14"
SDIC-2 GUAYANA G	CATALINA GUAYANA GLOSS SAMPLE DOOR 11 1/2" X 14"
SDIC-2 METALLO 1 G	CATALINA METALLO 1 GLOSS SAMPLE DOOR 11 1/2" X 14"
SDIC-2 METALLO 4 G	CATALINA METALLO 4 GLOSS SAMPLE DOOR 11 1/2" X 14"
SDIC-2 OLIVO G	CATALINA OLIVO GLOSS SAMPLE DOOR 11 1/2" X 14"
SDIC-2 TEXTIL PLATA G	CATALINA TEXTIL PLATA GLOSS SAMPLE DOOR 11 1/2" X 14"
SDIC-2 AGUA MARINA M	CATALINA AGUA MARINA MATTE SAMPLE DOOR 11 1/2" X 14"
SDIC-2 ANTRACITA M	CATALINA ANTRACITA MATTE SAMPLE DOOR 11 1/2" X 14"
SDIC-2 AZUL INDIGO M	CATALINA AZUL INDIGO MATTE SAMPLE DOOR 11 1/2" X 14"
SDIC-2 AZUL MARINO M	CATALINA AZUL MARINO MATTE SAMPLE DOOR 11 1/2" X 14"
SDIC-2 BASALTO M	CATALINA BASALTO MATTE SAMPLE DOOR 11 1/2" X 14"
SDIC-2 BLACK M	CATALINA BLACK MATTE SAMPLE DOOR 11 1/2" X 14"
SDIC-2 BLANCO M	CATALINA BLANCO MATTE SAMPLE DOOR 11 1/2" X 14"
SDIC-2 CASHMERE M	CATALINA CASHMERE MATTE SAMPLE DOOR 11 1/2" X 14"
SDIC-2 GRIS PLOMO M	CATALINA GRIS PLOMO MATTE SAMPLE DOOR 11 1/2" X 14"
SDIC-2 VERDE SALVIA M	CATALINA VERDE SALVIA MATTE SAMPLE DOOR 11 1/2" X 14"

Pricing Note: Sales Tools are NET pricing; virtual multiplier applies to these items. Final price listed on Quote/Order will reflect the virtual multiplier.

Sample Doors

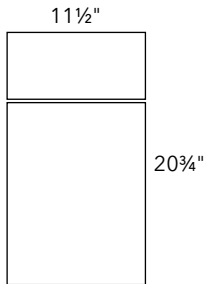


TUSCANY SMALL DOOR SAMPLES

ITEM	DESCRIPTION
SDIT-2 COMO ASH 1	TUSCANY COMO ASH 1 SAMPLE DOOR 11 1/2" X 14"
SDIT-2 COMO ASH 2	TUSCANY COMO ASH 2 SAMPLE DOOR 11 1/2" X 14"
SDIT-2 FRAPPE 1	TUSCANY FRAPPE 1 SAMPLE DOOR 11 1/2" X 14"
SDIT-2 IDA 1	TUSCANY IDA 1 SAMPLE DOOR 11 1/2" X 14"
SDIT-2 IDA 2	TUSCANY IDA 2 SAMPLE DOOR 11 1/2" X 14"
SDIT-2 MURATTI 1	TUSCANY MURATTI 1 SAMPLE DOOR 11 1/2" X 14"
SDIT-2 MURATTI 4	TUSCANY MURATTI 4 SAMPLE DOOR 11 1/2" X 14"
SDIT-2 NOCCE 1	TUSCANY NOCCE 1 SAMPLE DOOR 11 1/2" X 14"
SDIT-2 NOCCE 3	TUSCANY NOCCE 3 SAMPLE DOOR 11 1/2" X 14"
SDIT-2 OLMO 3	TUSCANY OLMO 3 SAMPLE DOOR 11 1/2" X 14"
SDIT-2 ROSALES 2	TUSCANY ROSALES 2 SAMPLE DOOR 11 1/2" X 14"
SDIT-2 ROSALES 3	TUSCANY ROSALES 3 SAMPLE DOOR 11 1/2" X 14"
SDIT-2 WOODLINE 1	TUSCANY WOODLINE 1 SAMPLE DOOR 11 1/2" X 14"
SDIT-2 WOODLINE 3	TUSCANY WOODLINE 3 SAMPLE DOOR 11 1/2" X 14"
SDIT-2 ANTRACITA M	TUSCANY ANTRACITA MATTE SAMPLE DOOR 11 1/2" X 14"
SDIT-2 AZUL INDIGO M	TUSCANY AZUL INDIGO MATTE SAMPLE DOOR 11 1/2" X 14"
SDIT-2 AZUL MARINO M	TUSCANY AZUL MARINO MATTE SAMPLE DOOR 11 1/2" X 14"
SDIT-2 BASALTO M	TUSCANY BASALTO MATTE SAMPLE DOOR 11 1/2" X 14"
SDIT-2 BLANCO M	TUSCANY BLANCO MATTE SAMPLE DOOR 11 1/2" X 14"
SDIT-2 CASHMERE M	TUSCANY CASHMERE MATTE SAMPLE DOOR 11 1/2" X 14"
SDIT-2 VERDE SALVIA M	TUSCANY VERDE SALVIA MATTE SAMPLE DOOR 11 1/2" X 14"

Pricing Note: Sales Tools are NET pricing; virtual multiplier applies to these items. Final price listed on Quote/Order will reflect the virtual multiplier.

Sample Doors

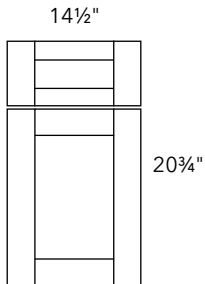


CATALINA MEDIUM DOOR SAMPLES WITH DRAWER FRONT

ITEM	DESCRIPTION
SDICBG-3	CATALINA BIANCO GLOSS SAMPLE DOOR 11 1/2" X 20"
SDICGG-3	CATALINA GRIGIO GLOSS SAMPLE DOOR 11 1/2" X 20"
SDICBM-3	CATALINA BIANCO MATTE SAMPLE DOOR 11 1/2" X 20"
SDICCM-3	CATALINA CARBONE MATTE SAMPLE DOOR 11 1/2" X 20"
SDICC2-3	CATALINA COMO ASH 2 SAMPLE DOOR 11 1/2" X 20"
SDICM1-3	CATALINA MURATTI 1 SAMPLE DOOR 11 1/2" X 20"
SDICM4-3	CATALINA MURATTI 4 SAMPLE DOOR 11 1/2" X 20"
SDICN3-3	CATALINA NOCCE 3 SAMPLE DOOR 11 1/2" X 20"
SDICO3-3	CATALINA OLMO 3 SAMPLE DOOR 11 1/2" X 20"
SDIC-3 COMO ASH 1	CATALINA COMO ASH 1 SAMPLE DOOR 11 1/2" X 20"
SDIC-3 FRAPPE 1	CATALINA FRAPPE 1 SAMPLE DOOR 11 1/2" X 20"
SDIC-3 ICE CREAM 1	CATALINA ICECREAM 1 SAMPLE DOOR 11 1/2" X 20"
SDIC-3 IDA 1	CATALINA IDA 1 SAMPLE DOOR 11 1/2" X 20"
SDIC-3 IDA 2	CATALINA IDA 2 SAMPLE DOOR 11 1/2" X 20"
SDIC-3 NOCCE 1	CATALINA NOCCE 1 SAMPLE DOOR 11 1/2" X 20"
SDIC-3 ROSALES 1	CATALINA ROSALES 1 SAMPLE DOOR 11 1/2" X 20"
SDIC-3 ROSALES 2	CATALINA ROSALES 2 SAMPLE DOOR 11 1/2" X 20"
SDIC-3 ROSALES 3	CATALINA ROSALES 3 SAMPLE DOOR 11 1/2" X 20"
SDIC-3 WOODLINE 1	CATALINA WOODLINE 1 SAMPLE DOOR 11 1/2" X 20"
SDIC-3 WOODLINE 3	CATALINA WOODLINE 3 SAMPLE DOOR 11 1/2" X 20"
SDIC-3 WOODLINE 4	CATALINA WOODLINE 4 SAMPLE DOOR 11 1/2" X 20"
SDIC-3 AGUA MARINA G	CATALINA AGUA MARINA GLOSS SAMPLE DOOR 11 1/2" X 20"
SDIC-3 AZUL INDIGO G	CATALINA AZUL INDIGO GLOSS SAMPLE DOOR 11 1/2" X 20"
SDIC-3 AZUL MARINO G	CATALINA AZUL MARINO GLOSS SAMPLE DOOR 11 1/2" X 20"
SDIC-3 BLACK G	CATALINA BLACK GLOSS SAMPLE DOOR 11 1/2" X 20"
SDIC-3 BLANCO G	CATALINA BLANCO GLOSS SAMPLE DOOR 11 1/2" X 20"
SDIC-3 CASHMERE G	CATALINA CASHMERE GLOSS SAMPLE DOOR 11 1/2" X 20"
SDIC-3 EUROLINE G	CATALINA EUROLINE GLOSS SAMPLE DOOR 11 1/2" X 20"
SDIC-3 GRIS NUBE G	CATALINA GRIS NUBE GLOSS SAMPLE DOOR 11 1/2" X 20"
SDIC-3 GUAYANA G	CATALINA GUAYANA GLOSS SAMPLE DOOR 11 1/2" X 20"
SDIC-3 METALLO 1 G	CATALINA METALLO 1 GLOSS SAMPLE DOOR 11 1/2" X 20"
SDIC-3 METALLO 4 G	CATALINA METALLO 4 GLOSS SAMPLE DOOR 11 1/2" X 20"
SDIC-3 OLIVO G	CATALINA OLIVO GLOSS SAMPLE DOOR 11 1/2" X 20"
SDIC-3 TEXTIL PLATA G	CATALINA TEXTIL PLATA GLOSS SAMPLE DOOR 11 1/2" X 20"
SDIC-3 AGUA MARINA M	CATALINA AGUA MARINA MATTE SAMPLE DOOR 11 1/2" X 20"
SDIC-3 ANTRACITA M	CATALINA ANTRACITA MATTE SAMPLE DOOR 11 1/2" X 20"
SDIC-3 AZUL INDIGO M	CATALINA AZUL INDIGO MATTE SAMPLE DOOR 11 1/2" X 20"
SDIC-3 AZUL MARINO M	CATALINA AZUL MARINO MATTE SAMPLE DOOR 11 1/2" X 20"
SDIC-3 BASALTO M	CATALINA BASALTO MATTE SAMPLE DOOR 11 1/2" X 20"
SDIC-3 BLACK M	CATALINA BLACK MATTE SAMPLE DOOR 11 1/2" X 20"
SDIC-3 BLANCO M	CATALINA BLANCO MATTE SAMPLE DOOR 11 1/2" X 20"
SDIC-3 CASHMERE M	CATALINA CASHMERE MATTE SAMPLE DOOR 11 1/2" X 20"
SDIC-3 GRIS PLOMO M	CATALINA GRIS PLOMO MATTE SAMPLE DOOR 11 1/2" X 20"
SDIC-3 VERDE SALVIA M	CATALINA VERDE SALVIA MATTE SAMPLE DOOR 11 1/2" X 20"

Pricing Note: Sales Tools are NET pricing; virtual multiplier applies to these items. Final price listed on Quote/Order will reflect the virtual multiplier.

Sample Doors



TUSCANY MEDIUM DOOR SAMPLES WITH DRAWER FRONT

ITEM	DESCRIPTION
SDIT-3 COMO ASH 1	TUSCANY COMO ASH 1 SAMPLE DOOR 11 1/2" X 20"
SDIT-3 COMO ASH 2	TUSCANY COMO ASH 2 SAMPLE DOOR 11 1/2" X 20"
SDIT-3 FRAPPE 1	TUSCANY FRAPPE 1 SAMPLE DOOR 11 1/2" X 20"
SDIT-3 IDA 1	TUSCANY IDA 1 SAMPLE DOOR 11 1/2" X 20"
SDIT-3 IDA 2	TUSCANY IDA 2 SAMPLE DOOR 11 1/2" X 20"
SDIT-3 MURATTI 1	TUSCANY MURATTI 1 SAMPLE DOOR 11 1/2" X 20"
SDIT-3 MURATTI 4	TUSCANY MURATTI 4 SAMPLE DOOR 11 1/2" X 20"
SDIT-3 NOCCE 1	TUSCANY NOCCE 1 SAMPLE DOOR 11 1/2" X 20"
SDIT-3 NOCCE 3	TUSCANY NOCCE 3 SAMPLE DOOR 11 1/2" X 20"
SDIT-3 OLMO 3	TUSCANY OLMO 3 SAMPLE DOOR 11 1/2" X 20"
SDIT-3 ROSALES 2	TUSCANY ROSALES 2 SAMPLE DOOR 11 1/2" X 20"
SDIT-3 ROSALES 3	TUSCANY ROSALES 3 SAMPLE DOOR 11 1/2" X 20"
SDIT-3 WOODLINE 1	TUSCANY WOODLINE 1 SAMPLE DOOR 11 1/2" X 20"
SDIT-3 WOODLINE 3	TUSCANY WOODLINE 3 SAMPLE DOOR 11 1/2" X 20"
SDIT-3 ANTRACITA M	TUSCANY ANTRACITA MATTE SAMPLE DOOR 11 1/2" X 20"
SDIT-3 AZUL INDIGO M	TUSCANY AZUL INDIGO MATTE SAMPLE DOOR 11 1/2" X 20"
SDIT-3 AZUL MARINO M	TUSCANY AZUL MARINO MATTE SAMPLE DOOR 11 1/2" X 20"
SDIT-3 BASALTO M	TUSCANY BASALTO MATTE SAMPLE DOOR 11 1/2" X 20"
SDIT-3 BLANCO M	TUSCANY BLANCO MATTE SAMPLE DOOR 11 1/2" X 20"
SDIT-3 CASHMERE M	TUSCANY CASHMERE MATTE SAMPLE DOOR 11 1/2" X 20"
SDIT-3 VERDE SALVIA M	TUSCANY VERDE SALVIA MATTE SAMPLE DOOR 11 1/2" X 20"

Pricing Note: Sales Tools are NET pricing; virtual multiplier applies to these items. Final price listed on Quote/Order will reflect the virtual multiplier.

Sales Tools



ILLUME MINI BASE SAMPLE

ITEM	DESCRIPTION
ICBG MBS	Illume Catalina Bianco Gloss Mini Base Sample

- Available in Catalina Bianco Gloss only
- Mini Base Dimensions: 12"W x 21"H x 15"D
- Mini Base is 21"H before attaching Adjustable Furniture Feet



METAL GLASS DOOR SALES TOOL KIT

ITEM	DESCRIPTION
METAL GLASS DOOR SALES KIT	METAL GLASS DOOR SALES TOOL KIT W/ SAMPLES

- Sales kit includes four metal finishes, four unique profiles, and four glass color insert options.
 - » Metal Finishes: Onyx (Black Matte), Natural Aluminum, Brushed Stainless, and Gold.
 - » Profiles: FAB003, FAB004, FAB014, FAB017
 - » Glass Insert Colors: Clear, Satin, Bronze Clear, Grey Clear



SAMPLE DOOR BAG

ITEM	DESCRIPTION
SAMPLE DOOR BAG	PADDED SAMPLE DOOR BAG

- Accommodates 4 large sample doors

Pricing Note: Sales Tools are NET pricing; virtual multiplier applies to these items. Final price listed on Quote/Order will reflect the virtual multiplier.

Sales Tools

SAMPLE DOOR STAND



ITEM	DESCRIPTION
SAMPLE DOOR STAND	SAMPLE DOOR DISPLAY STAND

- Stand can be easily unassembled and re-assembled for storage or portability to trade shows
- Sample Door Display stand can hold up to nine sample doors
- Will accommodate sizing for all door styles



SAMPLE TOWER

ITEM	DESCRIPTION
IDC SAMPLE SET	ILLUME DESIGNER SAMPLE TOWER

- Black Metal Frame with Illume Logo Sign
- Includes 40 (6"x12"x3/4") Illume Designer Collection sample blocks

Pricing Note: Sales Tools are NET pricing; virtual multiplier applies to these items. Final price listed on Quote/Order will reflect the virtual multiplier.

Sales Tools



SELLING CENTER

ITEM	DESCRIPTION
DEALER SELLING CENTER	FABUWOOD SELLING CENTER
ACRYLIC LOGO 38X8	FABUWOOD ACRYLIC LOGO DISPLAY SIGN

Fabuwood Selling Center Display comes with:

- three (3) Base Cabinets, 12"W x 16" x
- FSC B12 include the following finishes: Illume Catalina Bianco Gloss, Allure Galaxy Nickel, & Quest Discovery Frost
- Full set of Large Sample Doors
- One of each molding chain for Allure, Quest
- Includes one Box set each of Color Blocks and Designer Collection Color Blocks
- Digital Brochure Keychains (Pack of 25)
- Pack of 25 Style Guide Brochures
- Acrylic Logo Sign included and available for separate purchase



Fabuwood Logo Sign:

- Now available as a stand-alone item for endless display options. Hang our sign amongst a gallery wall of Fabuwood Sample Doors, or pair with a Fabuwood vignette to create a unique Selling Center tailored to your individual showroom style.
- Acrylic sign predrilled with decorative chrome plated standoffs included.



SELLING STUDIO

ITEM	DESCRIPTION
DEALER SELLING STUDIO	FABUWOOD SELLING STUDIO

Fabuwood Selling Studio Display includes:

- Interactive Touch Monitor
- 32 Medium-Size Sample Doors
- 18 Mini Sample Doors
- Molding Chains in Allure & Quest
- Color Block Sets for Signature, Designer Collection & Illume
- Style Guide Brochures (Pack of 25)
- Wall and Base Mini Cabinets in Illume and Allure Constructions
- Fabuwood Logo Windows
- Remote Control Operated Lift-Up Top Door
- Storage Drawer

Custom Base Cabinets:

- (1) 18" Drawer Base Cabinet with a modified depth of 18"
- (2) 18" Base Cabinet with a modified depth of 18"

Pricing Note: Sales Tools are NET pricing; virtual multiplier applies to these items. Final price listed on Quote/Order will reflect the virtual multiplier.

Sales Tools



COLOR BLOCKS

ITEM	DESCRIPTION
ILLUME COLOR BLOCK	BOX OF COLOR BLOCKS FOR ILLUME
CS-BIANCO GLOSS	BIANCO GLOSS LOOSE COLOR BLOCK
CS-BIANCO MATTE	BIANCO MATTE LOOSE COLOR BLOCK
CS-GRIGIO GLOSS	GRIGIO GLOSS LOOSE COLOR BLOCK
CS-CARBONE MATTE	CARBONE MATTE LOOSE COLOR BLOCK
CS-COMO ASH 2	COMO ASH 2 LOOSE COLOR BLOCK
CS-MURATTI 1	MURATTI 1 LOOSE COLOR BLOCK
CS-MURATTI 2	MURATTI 2 LOOSE COLOR BLOCK
CS-NOCCE 3	NOCCE 3 LOOSE COLOR BLOCK
CS-OLMO 3	OLMO 3 LOOSE COLOR BLOCK

Illume Color Block:

- Set of 4 Illume Color Blocks: Bianco Matte, Bianco Gloss, Carbone Matte, Grigio Gloss



SAMPLE PACKAGES

ITEM	DESCRIPTION
SMALL SAMPLE PACKAGE	SMALL SAMPLE PACKAGE
DEALER PACKAGE	LITERATURE AND ACCESSORIES

Small Sample Package:

- Full Set of Small Sample Doors (door is 11-1/2" x 14"H)

Dealer Package:

- Full set of Large Sample Doors (includes Door & Drawer Front)
- One of each molding chain for Allure, Quest
- Box of Color Blocks
- Digital Brochure Keychains (Pack of 25)



DIGITAL BROCHURE

ITEM	DESCRIPTION
DIGITAL BROCHURE QR	QR CODE KEY RING

- Pack of 25 Key Rings

Pricing Note: Sales Tools are NET pricing; virtual multiplier applies to these items. Final price listed on Quote/Order will reflect the virtual multiplier.

Sales Tools



STYLE GUIDE

ITEM	DESCRIPTION
SGB26	STYLE GUIDE BROCHURE 2026 (25PK)

- 104 pages, 8" x 8"
- *Fabuwood's Style Guide showcases an extensive range of customizations and design possibilities. Featuring hoods, vanities, door styles, color collections, and more, it offers everything needed to create unique and personalized spaces*



ACCESSORY BROCHURE

ITEM	DESCRIPTION
ACCESSORY BROCHURE	ACCESSORY BROCHURE (PACK OF 25)

- 52 pages, 8-1/2" x 11"
- *Fabuwood's Accessory Brochure showcases a variety of stylish and practical add ons, from organization features to innovative storage solutions, providing the finishing touches that enhance both the beauty and functionality of your cabinetry.*



CUSTOMIZATION BROCHURE

ITEM	DESCRIPTION
CUSTOMIZATION BROCHURE	CUSTOMIZATION BROCHURE (PACK OF 25)

- 56 pages, 8-1/2" x 11"
- *Fabuwood's Customization Brochure highlights a variety of modification options, enabling you to adjust every detail of your cabinetry.*

Modifications

CUT ITEMS

ITEM	DESCRIPTION
* CUT WIDTH-BASE	reduce width of base cabinet to ----- "wide
* CUT WIDTH-TALL	reduce width of tall cabinet to ----- "wide
* CUT WIDTH-WALL	reduce width of wall cabinet to ----- "wide
CUT-BASE	Reduce depth of base cabinet
CUT-COLUMN	reduce depth of column to ----- "deep
CUT-DBASE	Reduce depth of drawer base cabinet
* CUT-PANEL	Cut down a panel to any size
CUT-ROD	Reduce depth of rollout drawer
CUT-SBASE	Reduce depth of sink base cabinet
CUT-TALL	Reduce depth of tall cabinet
CUT-WALL	Reduce depth of wall cabinet
CUT-RETURN WIDTH	Reduce width of 3" reutrn
CUT-BASE HEIGHT	Reduce height of base cabinet by removing top drawer
CUT 2" FROM 96" MOLDING	Reduce length of molding to 94"

* Not available for Illume Designer Collection. Email customquotes@fabuwood.com for custom quote.

PIPE CHASE

ITEM	DESCRIPTION
CHASE-BASE	Make chase in base cabinet (must supply a drawing)
CHASE-CORNER	Make chase in corner cabinet ----x---- (WDC, WPC, ERB only)
CHASE-DBASE	Make chase in drawer cabinet (must supply drawing)
CHASE-TALL	Make chase in tall cabinet (must supply a drawing)
CHASE-WALL	Make chase in wall cabinet (must supply a drawing)

Must supply a drawing for all chase modifications.

Notice regarding Illume Customizations:

Any customizations for the Illume Frameless line are manufactured and assembled in our Newark Manufacturing facility and will not include the Threespine® Click Technology.

Modifications

CUSTOMIZATIONS

ITEM	DESCRIPTION
HAMPER	Install door mounted pull out wood hamper in cabinet
INCREASE-BASE	Increase depth on base cabinet.
INCREASE-TALL	Increase depth on tall cabinet.
INCREASE-WALL	Increase depth on wall cabinet.
INSTALL-ACCES	Install any accessory in a cabinet (accessories not included)
PUSH TO OPEN DOORS	Install BLUM Tip-On Latch for push-to-open door(s)
PUSH TO OPEN DRAWERS	Install BLUM Tip-On Slides for push-to-open drawer(s)
REMOVE DRAWER	Remove cabinet drawer to create sink base
FINISHED END-BASE	Apply laminate skin to side of base cabinet
FINISHED END-WALL	Apply laminate skin to side of wall cabinet
FINISHED END-TALL	Apply laminate skin to side of tall cabinet
EBAND-MATCH BOX	Apply matching color edge-band to cabinet carcass
EBAND-MATCH SHELF	Apply matching color edge-band to adjustable shelves
CREATE-BMC	Create Base Microwave Cabinet
CREATE-BOC	Create Base Oven Cabinet
MATCH-INTERIOR	Finish interior of cabinet to match exterior
BOXCAP	Add BOXCAP to lower MERIVOBX drawer
EXTENDED DOOR	Extend doors to overhang 1-1/2" or 3/4" below cabinet box
CONNECT DOORS	Connect doors of tall cabinet with dowels to create one larger door
EDGE BAND	Apply edge band on selected side of panel
INCREASE-PANEL	Increase depth of DWR in 1/4" increments.

NOTE: Increased depth of Rollout drawers are by custom request only and are not included in INCREASE-BASE, INCREASE-TALL, and INCREASE-WALL modifications. Email customquotes@fabuwood.com for custom quote.

Notice regarding Illume Customizations:

Any customizations for the Illume Frameless line are manufactured and assembled in our Newark Manufacturing facility and will not include the Threespine® Click Technology.

Loose Parts

LOOSE PARTS

ITEM	DESCRIPTION
EDGE-BAND	Additional Edge Banding (price per linear foot)
EDGE-BAND LINEN-CARCASS	Illume Interior Linen Edgeband (price per linear foot)
ITKL-4	Illume Toe Kick Leg (Pack of 4 Legs and 4 Clips)
PROTECTIVE FILM ERASER	Eraser to remove Illume protective film
BP-ILLUME	BUMPER PADS FOR ILLUME DOORS
BP-ILLUME WDC	BUMPER PADS FOR ILLUME DIAGONAL DOORS
BLUM-ILLUME RES CLIP 10PK	PACK OF 10 BLUM ILLUME ANGLE RESTRICTION CLIP

- *Protective Film Eraser removes adhesive residue on cabinet finish*
- *Bumper Pads*
 - *Clear Polyurethane with Peel-Off Application*
 - *Sound, Vibration, and Shock Dampening*
- BP-ILLUME: *Compatible with Illume Standard Doors*
- BP-ILLUME WDC: *Compatible with WDC, DSB, DSF Diagonal Doors*
- *Illume Angle Restrictor Clip:*
 - *BLUM Angle Restriction Clip for Illume CLIP-ON BLUMOTION Hinges.*
 - *Reduces swing from 110-deg to 86-deg*
 - *One clip required per every two hinges. For a 30"high door, use 1 clip. For 36" to 42" high Door, use 2 clips.*



PROTECTIVE FILM ERASER



BP-ILLUME

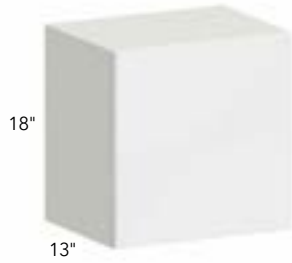


BP-ILLUME WDC



BLUM-ILLUME RES CLIP

12" - 24" High Wall Cabinets



SINGLE DOOR

ITEM
W1218
W1518
W1818
W2118

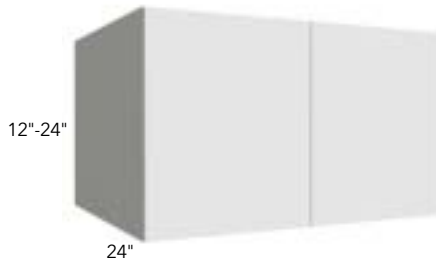


DOUBLE DOOR

ITEM
W2412
W3012
W3312
W3612
W3015
W3315
W3615
W2718
W3018
W3318
W3618
W2421
W3021
W3321
W3621
* W3024
* W3324
* W3624

* Includes one adjustable shelf

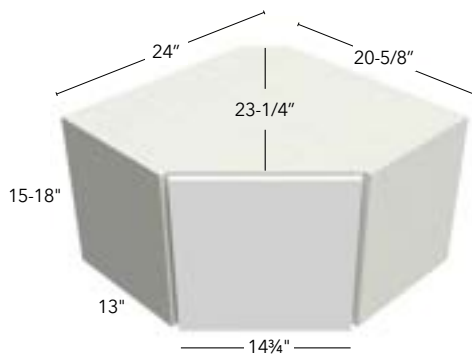
12" - 24" High & 24" Deep Wall Cabinets



24" DEEP

ITEM
W301224
W331224
W361224
W301824
W331824
W361824
W302124
W332124
W362124
* W242424
* W302424
* W332424
* W362424

* Includes one adjustable shelf

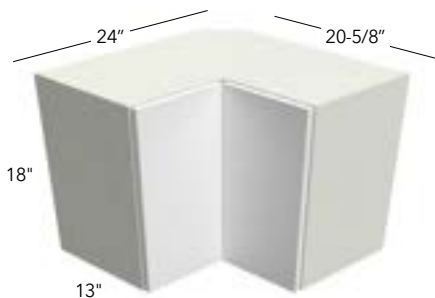


DIAGONAL CORNER

ITEM
WDC2415
WDC2418

- 9mm thick door bumper

Note: Need to indicate R or L at time of order



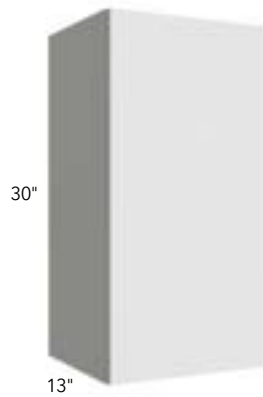
PIE CUT CORNER

ITEM	R	T
WPC2418	620	560

- Soft close hinge not available

Note: Need to indicate R or L at time of order

30" High Wall Cabinets



SINGLE DOOR

ITEM

W0930

W1230

W1530

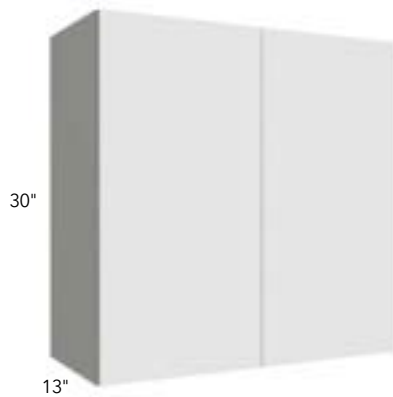
W1830

W2130

W2430SD

- Includes two adjustable shelves

Note: Need to indicate R or L at time of order



DOUBLE DOOR

ITEM

W2430

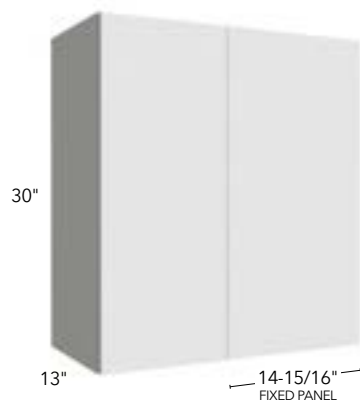
W2730

W3030

W3330

W3630

- Includes two adjustable shelves



SINGLE DOOR BLIND

ITEM

WBC2730

WBC3030

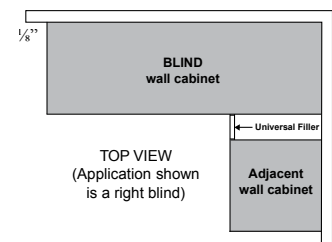
WBC3630

- Must use filler on adjacent side (not supplied)
- Dimensions are rounded off to nearest 1/16"
- Includes two adjustable shelves

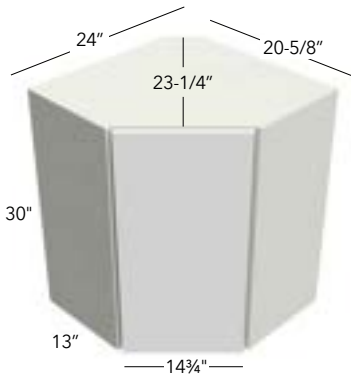
Note: Need to indicate Blind Left or Blind Right at time of order

	Act.	Door	Open (door side)
WBC2730	27"	11-7/8"	11-1/4"
WBC3030	30"	14-7/8"	14-1/4"
WBC3630	36"	20-7/8"	20-3/16"

BLIND RIGHT SHOWN



30" High Wall Cabinets



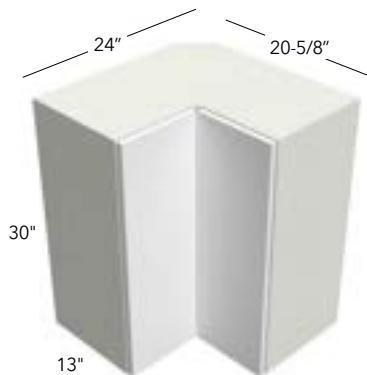
DIAGONAL CORNER

ITEM

WDC2430

- 9mm thick door bumper
- Includes two adjustable shelves

Note: Need to indicate R or L at time of order



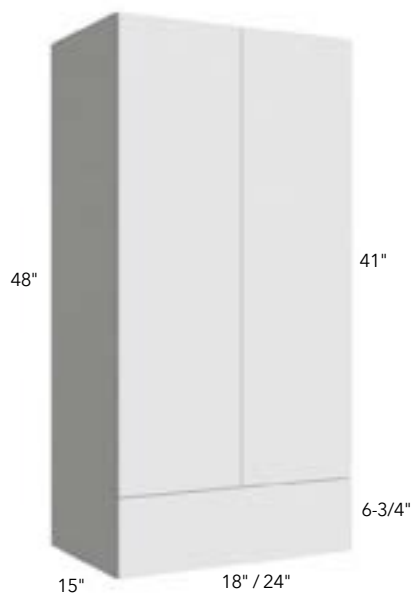
PIE CUT CORNER

ITEM

WPC2430

- Soft close hinge not available
- Includes two adjustable shelves

Note: Need to indicate R or L at time of order



WALL WITH DRAWER

ITEM

* WD1848

WD2448

- * Has one door. Need to indicate R or L at time of order
- Includes two adjustable shelves

36" High Wall Cabinets



SINGLE DOOR

ITEM
W0936
W1236
W1536
W1836
W2136
W2436SD

- Includes two adjustable shelves
- Note: Need to indicate R or L at time of order*



DOUBLE DOOR

ITEM
W2436
W2736
W3036
W3336
W3636

- Includes two adjustable shelves



SINGLE DOOR BLIND

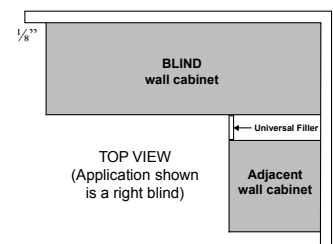
ITEM
WBC2736
WBC3036
WBC3636

- Must use filler on adjacent side (not supplied)
- Dimensions are rounded off to nearest 1/16"
- Includes two adjustable shelves

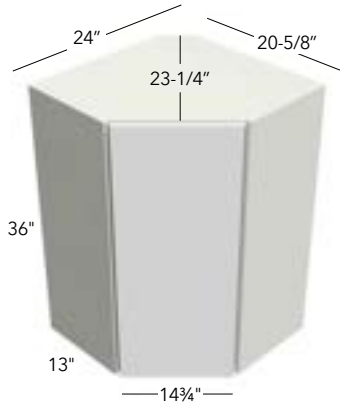
Note: Need to indicate Blind Left or Blind Right at time of order

	Act.	Door	Open (door side)
WBC2736	27"	11-7/8"	11-1/4"
WBC3036	30"	14-7/8"	14-1/4"
WBC3636	36"	20-7/8"	20-3/16"

BLIND RIGHT SHOWN



36" High Wall Cabinets



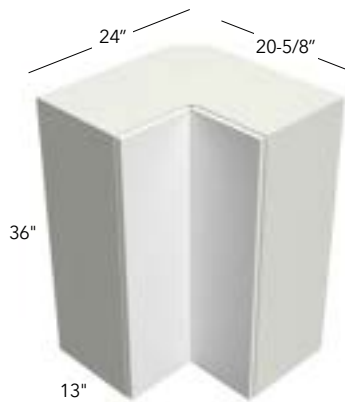
DIAGONAL CORNER

ITEM

WDC2436

- 9mm thick door bumper
- Includes two adjustable shelves

Note: Need to indicate R or L at time of order



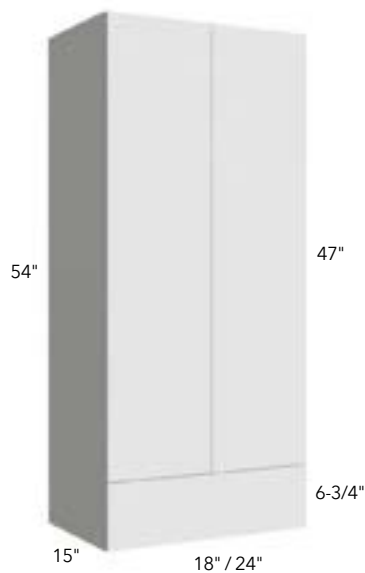
PIE CUT CORNER

ITEM

WPC2436

- Soft close hinge not available
- Includes two adjustable shelves

Note: Need to indicate R or L at time of order



WALL WITH DRAWER

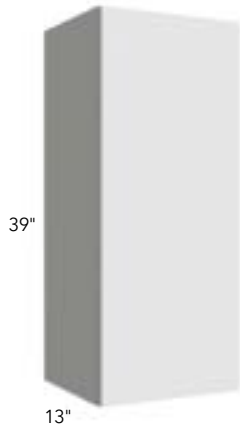
ITEM

* WD1854

WD2454

- * Has one door. Need to indicate R or L at time of order
- Includes two adjustable shelves

39" High Wall Cabinets



SINGLE DOOR

ITEM

W0939

W1239

W1539

W1839

W2139

W2439SD

- Includes two adjustable shelves

Note: Need to indicate R or L at time of order



DOUBLE DOOR

ITEM

W2439

W2739

W3039

W3339

W3639

- Includes two adjustable shelves



BLIND RIGHT SHOWN

SINGLE DOOR BLIND

ITEM

WBC2739

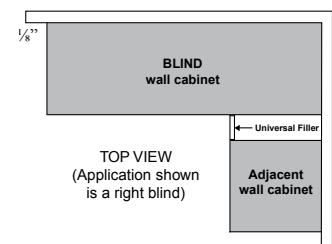
WBC3039

WBC3639

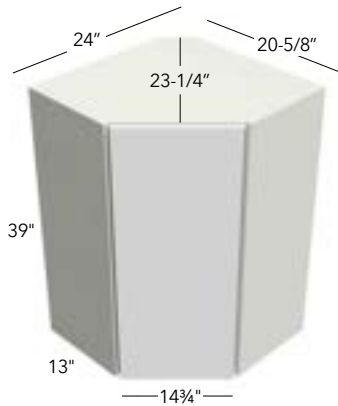
- Must use filler on adjacent side (not supplied)
- Dimensions are rounded off to nearest 1/16"
- Includes two adjustable shelves

Note: Need to indicate Blind Left or Blind Right at time of order

	Act.	Door	Open (door side)
WBC2739	27"	11-7/8"	11-1/4"
WBC3039	30"	14-7/8"	14-1/4"
WBC3639	36"	20-7/8"	20-3/16"



39" High Wall Cabinets



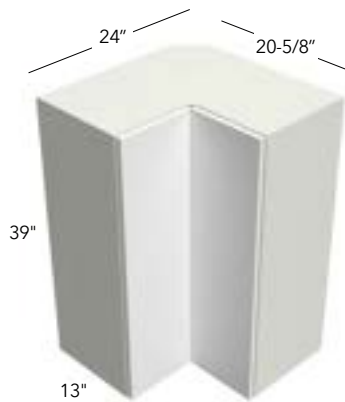
DIAGONAL CORNER

ITEM

WDC2439

- 9mm thick door bumper
- Includes two adjustable shelves

Note: Need to indicate R or L at time of order



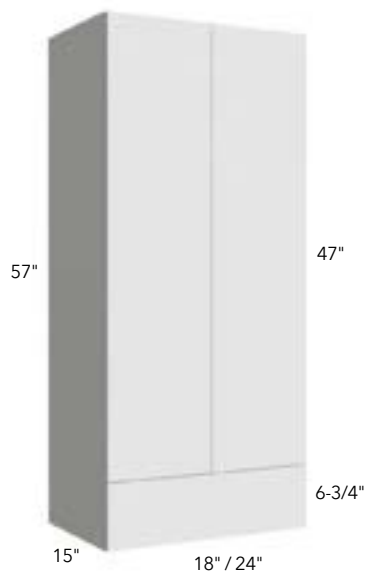
PIE CUT CORNER

ITEM

WPC2439

- Soft close hinge not available
- Includes two adjustable shelves

Note: Need to indicate R or L at time of order



WALL WITH DRAWER

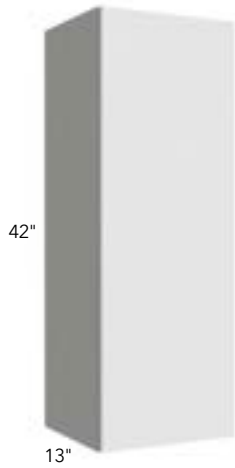
ITEM

* WD1857

WD2457

- * Has one door. Need to indicate R or L at time of order
- Includes two adjustable shelves

42" High Wall Cabinets



SINGLE DOOR

ITEM

W0942

W1242

W1542

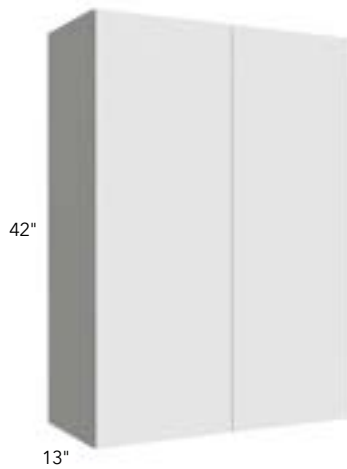
W1842

W2142

W2442SD

- Includes three adjustable shelves

Note: Need to indicate R or L at time of order



DOUBLE DOOR

ITEM

W2442

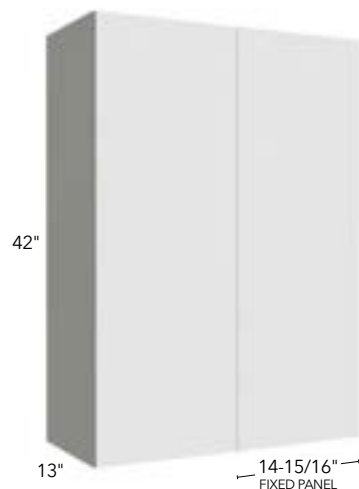
W2742

W3042

W3342

W3642

- Includes three adjustable shelves



SINGLE DOOR BLIND

ITEM

WBC2742

WBC3042

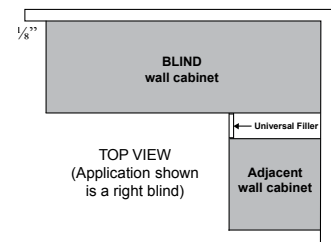
WBC3642

- Must use filler on adjacent side (not supplied)
- Dimensions are rounded off to nearest 1/16"
- Includes three adjustable shelves

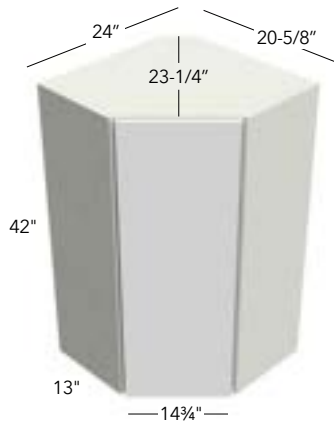
Note: Need to indicate Blind Left or Blind Right at time of order

	Act.	Door	Open (door side)
WBC2742	27"	11-7/8"	11-1/4"
WBC3042	30"	14-7/8"	14-1/4"
WBC3642	36"	20-7/8"	20-3/16"

BLIND RIGHT SHOWN



42" High Wall Cabinets



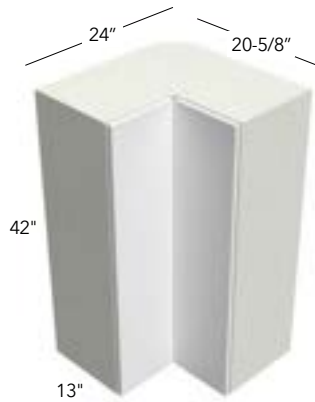
DIAGONAL CORNER

ITEM

WDC2442

- 9mm thick door bumper
- Includes three adjustable shelves

Note: Need to indicate R or L at time of order



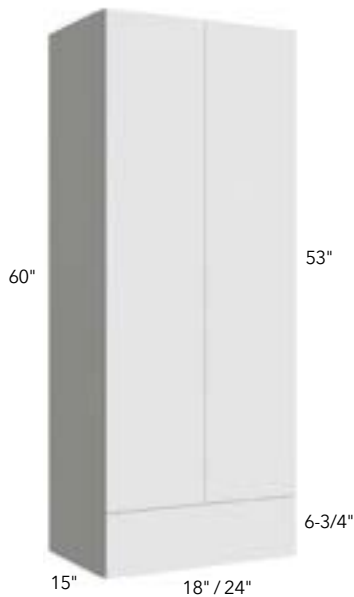
PIE CUT CORNER

ITEM

WPC2442

- Soft close hinge not available
- Includes three adjustable shelves

Note: Need to indicate R or L at time of order



WALL WITH DRAWER

ITEM

* WD1860

WD2460

- * Has one door. Need to indicate R or L at time of order
- Includes three adjustable shelves

Specialty Wall Cabinets



WALL APPLIANCE

ITEM

WAC2418

WAC3018

WAC3318

WAC3618

- Shipped with a support bracket to be removed before cabinet installation



LIFT-UP

ITEM

* W2412LU

W1815LU

W2115LU

W2415LU

W2715LU

W3015LU

W3315LU

W3615LU

W1818LU

W2118LU

W2418LU

W2718LU

W3018LU

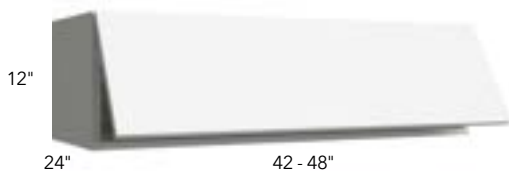
W3318LU

W3618LU

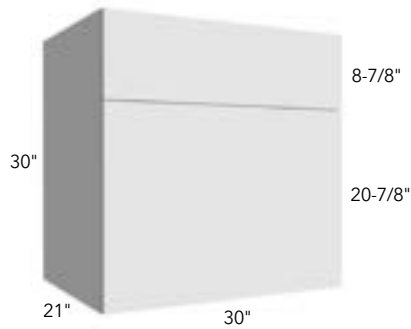
* W421224LU

* W481224LU

- * 24" depth



Microwave Wall Cabinets

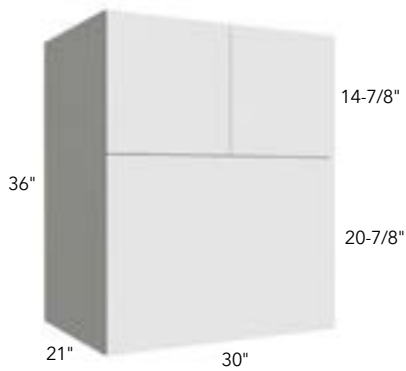


30" MICROWAVE

ITEM
MC303021

- Full closed front:
Max opening 28-1/2"W x 19-3/4"H
- Lift-up door with standard clip-on hinges
- Front panel attaches with clips for easy removal and install
- Additional Edge-Band available for purchase

Note: To avoid damage please apply extra care when cutting the front panel.



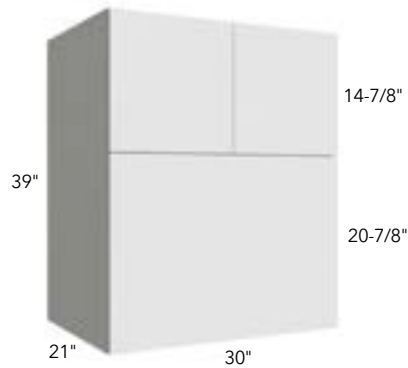
36" MICROWAVE

ITEM
MC303621

- Full closed front:
Max opening 28-1/2"W x 19-3/4"H
- Front panel attaches with clips for easy removal and install
- Additional Edge-Band available for purchase

Note: To avoid damage please apply extra care when cutting the front panel.

Microwave Wall Cabinets

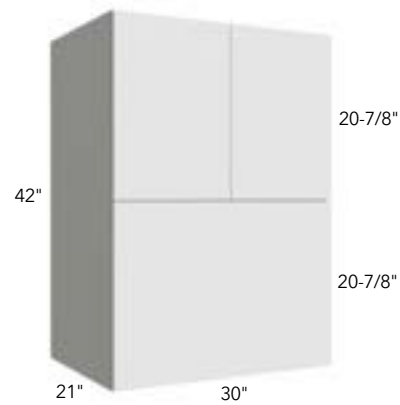


39" MICROWAVE

ITEM
MC303921

- Full closed front:
Max opening 28-1/2"W x 19-3/4"H
- Front panel attaches with clips for easy removal and install
- Additional Edge-Band available for purchase

Note: To avoid damage please apply extra care when cutting the front panel.



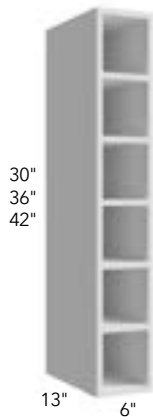
42" MICROWAVE

ITEM
MC304221

- Comes with 1 shelf
- Full closed front:
Max opening 28-1/2"W x 19-3/4"H
- Front panel attaches with clips for easy removal and install
- Additional Edge-Band available for purchase

Note: To avoid damage please apply extra care when cutting the front panel.

Wine Cabinets



WINE CUBE

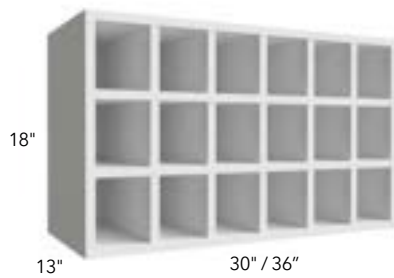
ITEM

WC0630

WC0636

WC0642

- Matching finished interior
- Gloss finishes are featured on top of shelves and all interior faces of the cabinet box
- 30" Fits 5 bottles
- 36" Fits 6 bottles
- 42" Fits 7 bottles



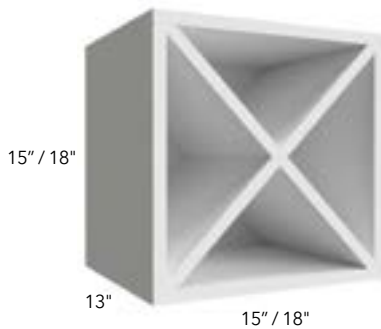
WINE RACK

ITEM

WR3018

WR3618

- Matching finished interior
- Gloss finishes are featured on top of shelves and all interior faces of the cabinet box
- 30" Fits 18 bottles
- 36" Fits 21 bottles



WINE RACK

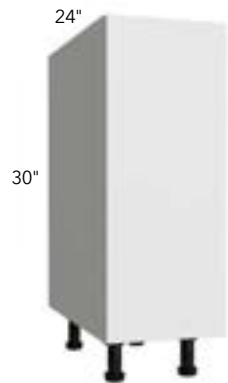
ITEM

WR15X15

WR18X18

- Matching finished interior
- Gloss finishes are featured on top of shelves and all interior faces of the cabinet box
- Storage Capacity
 - » WR15X15: 8-12 bottles
 - » WR18X18: 12-16 bottles

Base Cabinets



FULL HEIGHT SINGLE DOOR

ITEM
B09FD
B12FD
B15FD
B18FD
B21FD
B24SFD

- Includes two 18" deep adjustable shelves
- Trash Can available on pg. 37
- Roll Out available on pg. 29

Note: Need to indicate R or L at time of order

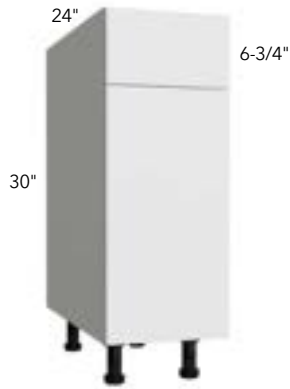


FULL HEIGHT DOUBLE DOOR

ITEM
B24FD
B27FD
B30FD
B33FD
B36FD

- Includes two 18" deep adjustable shelves
- Roll Out available on pg. 29

Wine Cabinets



SINGLE DOOR

ITEM
B12
B15
B18
B21
B24SD

- Includes one 18" deep adjustable shelf
- Trash Can available on pg. 37
- Roll Out available on pg. 29

Note: Need to indicate R or L at time of order

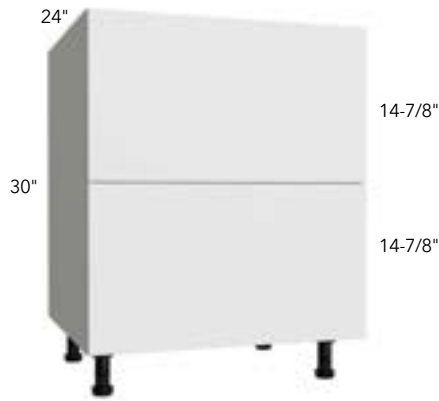


DOUBLE DOOR

ITEM
B24
B27
B30
B33
B36

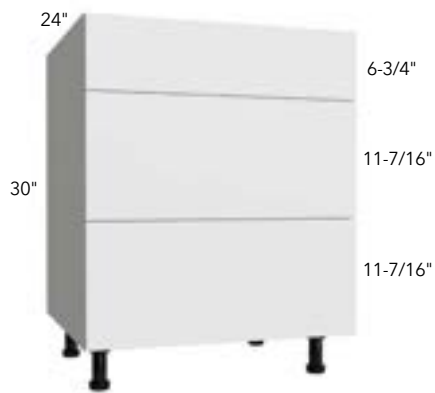
- Includes one 18" deep adjustable shelf
- Roll Out available on pg. 29

Drawer Base Cabinets



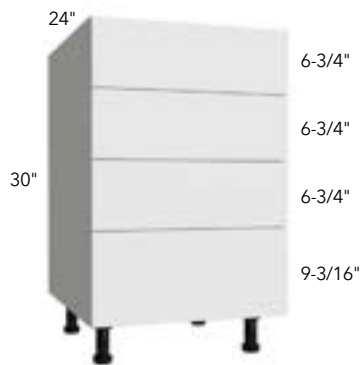
2 DRAWER

ITEM
DB24-2
DB27-2
DB30-2
DB33-2
DB36-2



3 DRAWER

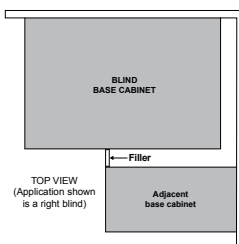
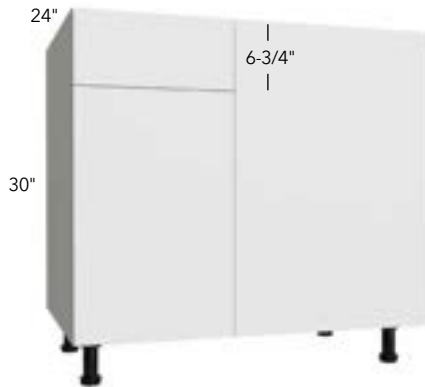
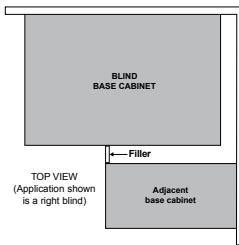
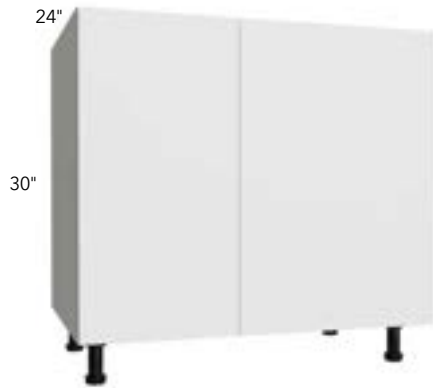
ITEM
DB12-3
DB15-3
DB18-3
DB21-3
DB24-3
DB27-3
DB30-3
DB33-3
DB36-3



4 DRAWER

ITEM
DB12-4
DB15-4
DB18-4
DB21-4

Blind Base Cabinets



BLIND FULL HEIGHT DOOR

ITEM
BLB36/39FD
BLB39/42FD
BLB42/45FD
BLB48/51FD

- Must use filler on adjacent wall (not supplied)
- Measurements are rounded off to closest 1/32"
- Includes two 18" deep adjustable shelves

Note: Need to indicate Blind Left or Blind Right at time of order

	Act.	Min.	Door	Closed Blind	Open (Door)
BLB36/39FD	30"	36"	8-7/8"	21"	8-11/32"
BLB39/42FD	33"	39"	11-7/8"	21"	11-11/32"
BLB42/45FD	36"	42"	14-7/8"	21"	14-11/32"
BLB48/51FD	42"	48"	20-7/8"	21"	20-11/32"

BLIND

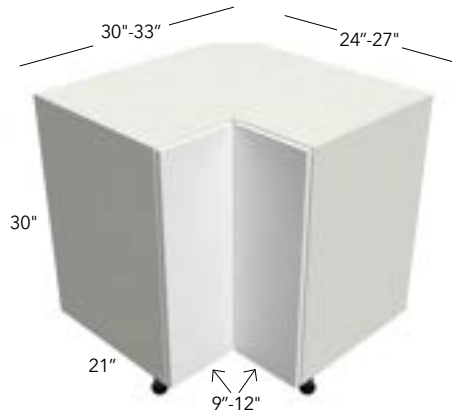
ITEM
BLB36/39
BLB39/42
BLB42/45
BLB48/51

- Includes one 18" deep adjustable shelf
- Must use filler on adjacent wall (not supplied)
- Measurements are rounded off to closest 1/32"

Note: Need to indicate Blind Left or Blind Right at time of order

	Act.	Min.	Door	Closed Blind	Open (Door)	Open (Drawer)
BLB36/39	30"	36"	8-7/8"	21"	8-11/32"	7 5/8"
BLB39/42	33"	39"	11-7/8"	21"	11-11/32"	10 5/8"
BLB42/45	36"	42"	14-7/8"	21"	14-11/32"	13 5/8"
BLB48/51	42"	48"	20-7/8"	21"	20-11/32"	19 5/8"

Corner Base Cabinets

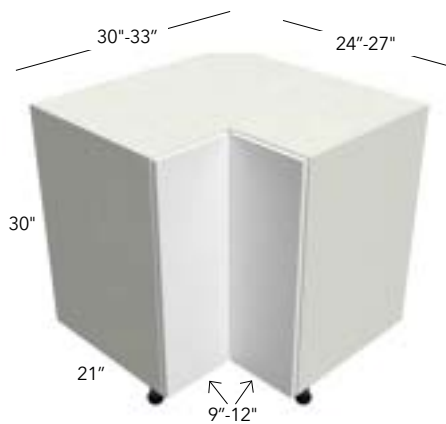


EASY REACH

ITEM
ERB33
ERB36

- Must be installed 3" from both walls
- Center shelf is adjustable
- Soft close hinge not available
- Easy-Reach & Lazy Susan bases are designed with a smaller cabinet foot-print for ease of installation & lighter weight. For example, LSB33 is 30" x 30" x 21" deep, whereas LSB36 is 33" x 33" x 21" deep.

Note: Need to indicate R or L at time of order



LAZY SUSAN

ITEM
LSB33
LSB36

- Must be installed 3" from both walls
- LSB33: Includes two 26" Pie-Cut Lazy Susan Trays
- LSB36: Includes two 28" Pie-Cut Lazy Susan Trays
- Both Lazy Susan trays rotate independently
- Center tray is mounted on a 3/4" adjustable shelf
- Soft close hinge not available
- Easy-Reach & Lazy Susan bases are designed with a smaller cabinet foot-print for ease of installation & lighter weight. For example, LSB33 is 30" x 30" x 21" deep, whereas LSB36 is 33" x 33" x 21" deep.

Note: Need to indicate R or L at time of order

Sink Base Cabinets



DIAGONAL SINK FRONT

ITEM
DSF36**
DSF42*
DSF36FD**
DSF42FD*

* Includes two doors

** **Note: Need to indicate R or L at time of order**



SINK BASE

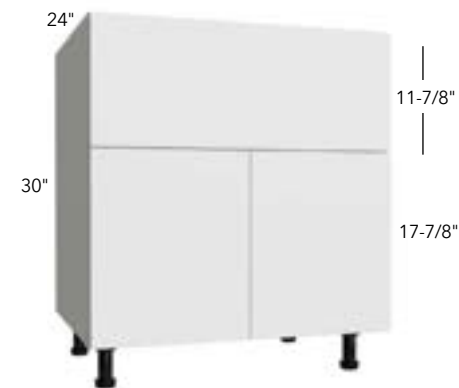
ITEM
* SB21
* SB24SD
SB24
SB27
SB30
SB33
SB36

* Single door cabinet. Need to indicate R or L at time of order

• Tilt Out available on pg. 38

• Note: Sink Base cabinets come pre-drilled with shelf clip holes.

Loose shelves available to purchase separately.



FARM SINK

ITEM
FS30
FS33
FS36

• Cut opening on job site

• Farm Sink Base comes with Apron Panel front

• Max opening:

FS30: 28-1/2"W x 11-5/8"H

FS33: 31-1/2" x 11-5/8"H

FS36: 34-1/2"W x 11-5/8"H

• Front panel attaches with clips for easy removal and install

• Additional Edge-Band available for purchase

Note: To avoid damage please apply extra care when cutting the front panel.

Specialty Base Cabinets



MICROWAVE

ITEM

BMC24

BMC30

- Front panel attaches with clips for easy removal and install
- Max opening:
BMC24 = 22-1/2"W x 19-3/4"H
BMC30 = 28-1/2"W x 19-3/4"H
- Additional Edge-Band available for purchase

Note: To avoid damage, please apply extra care when cutting the front panel.



OVEN

ITEM

BOC30

- Front panel attaches with clips for easy removal and install
- Max opening: 28-1/2"W x 28-1/2"H
- Additional Edge-Band available for purchase

Note: To avoid damage, please apply extra care when cutting the front panel.



RANGE TOP BASE

ITEM

RTB30

RTB36

RTB48

- Includes one adjustable shelf
- Range Top Bases come with full top panel



RANGE TOP DRAWER BASE

ITEM

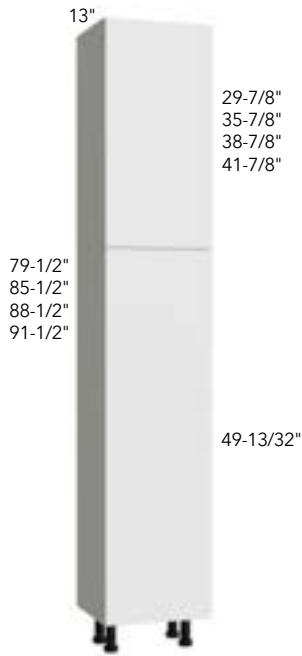
RTDB30-2

RTDB36-2

RTDB48-2

- Range Top Bases come with full top panel

13" Deep Tall Pantry Cabinets



SINGLE DOOR 13" DEEP

ITEM

TP151384

TP181384

TP241384SD

TP151390

TP181390

TP241390SD

TP151393

TP181393

TP241393SD

TP151396

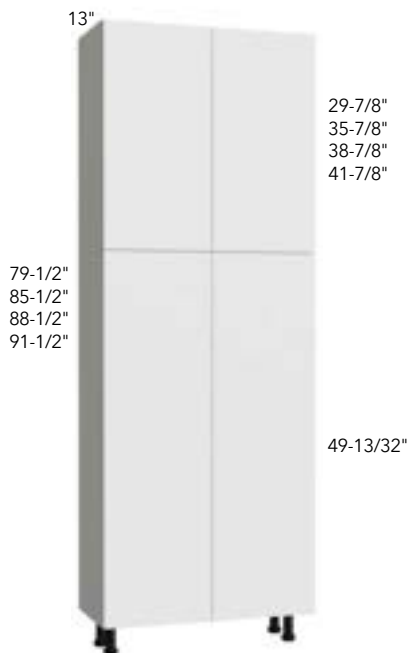
TP181396

TP241396SD

- Includes 12" deep shelves
- 84" & 90" high - 5 shelves
- 96" high - 6 shelves
- Roll Out Drawer available on pg. 29

Note: Need to indicate R or L at time of order

Shipping Note: Pantry shelves ship loose and will appear as individual line items on order packing list. Additional charges or pallet requirements may result depending on shipping method.



DOUBLE DOOR 13" DEEP

ITEM

TP241384

TP241390

TP241393

TP241396

TP301384

TP301390

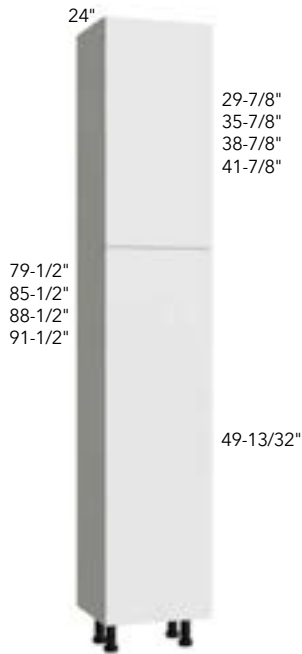
TP301393

TP301396

- Includes 12" deep shelves
- 84" & 90" high - 5 shelves
- 96" high - 6 shelves
- Roll Out Drawer available on pg. 29

Shipping Note: Pantry shelves ship loose and will appear as individual line items on order packing list. Additional charges or pallet requirements may result depending on shipping method.

24" Deep Tall Pantry Cabinets



SINGLE DOOR

ITEM

TP152484

TP182484

TP242484SD

TP152490

TP182490

TP242490SD

TP152493

TP182493

TP242493SD

TP152496

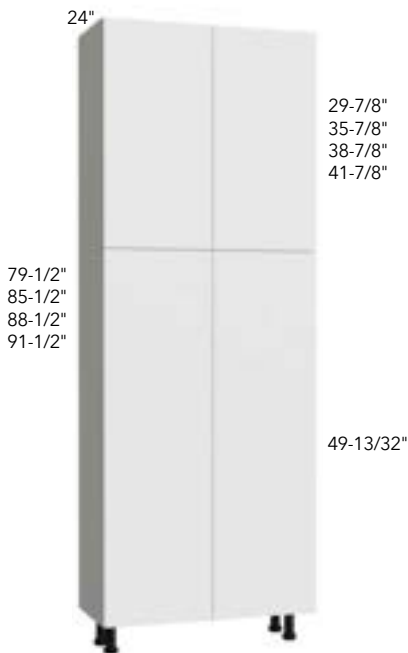
TP182496

TP242496SD

- Includes 21" deep adjustable shelves
- 84" & 90" high - 5 shelves
- 96" high - 6 shelves
- Roll Out Drawer available on pg. 29

Note: Need to indicate R or L at time of order

Shipping Note: Pantry shelves ship loose and will appear as individual line items on order packing list. Additional charges or pallet requirements may result depending on shipping method.



DOUBLE DOOR

ITEM

TP242484

TP242490

TP242493

TP242496

TP302484

TP302490

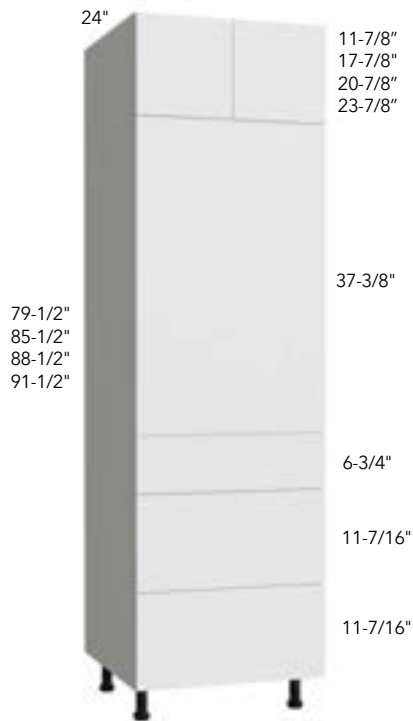
TP302493

TP302496

- Include 21" deep adjustable shelves
- 84" & 90" high - 5 shelves
- 96" high - 6 shelves
- Roll Out Drawer available on pg. 29

Shipping Note: Pantry shelves ship loose and will appear as individual line items on order packing list. Additional charges or pallet requirements may result depending on shipping method.

Oven Cabinets



SINGLE OVEN CABINET W/ 3 DRAWERS ON THE BOTTOM

ITEM
OC2484S-3
OC3084S-3
OC2490S-3
OC3090S-3
OC2493S-3
OC3093S-3
* OC2496S-3
* OC3096S-3

* Includes one shelf in upper wall section.

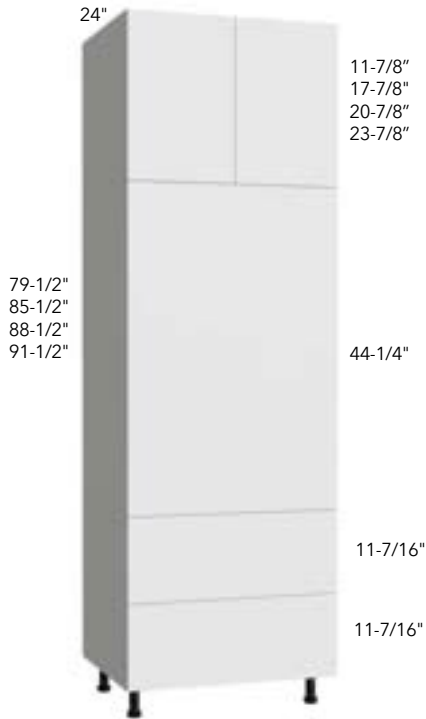
When using two appliances:

It is recommended to provide support for top appliance; PLY-3/4 available to be purchased separately. Fixed shelf to be installed on the jobsite by a qualified installer.

Full panel face frame to be trimmed on site (not by Fabuwood).
Additional Edge-Band available for purchase.

Note: To avoid damage to the frame & side panels, please apply extra care when cutting the front panel.

Oven Cabinets



COMBO OVEN CABINET W/ 2 DRAWERS ON BOTTOM

ITEM
OC2484C
OC3084C
OC2490C
OC3090C
OC2493C
OC3093C
* OC2496C
* OC3096C

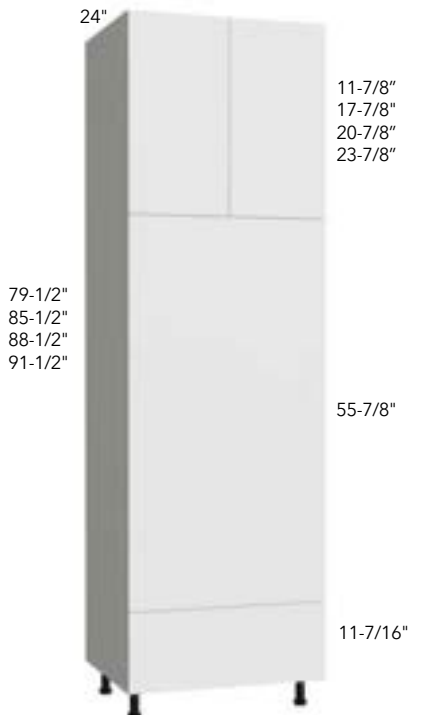
* Includes one shelf in upper wall section.

When using two appliances:

It is recommended to provide support for top appliance; PLY-3/4 available to be purchased separately. Fixed shelf to be installed on the jobsite by a qualified installer.

Full panel face frame to be trimmed on site (not by Fabuwood).
Additional Edge-Band available for purchase.

Note: To avoid damage to the frame & side panels, please apply extra care when cutting the front panel.



DOUBLE OVEN CABINET W/ 1 DRAWER ON BOTTOM

ITEM
OC2484D
OC3084D
OC2490D
OC3090D
OC2493D
OC3093D
* OC2496D
* OC3096D

* Includes one shelf in upper wall section.

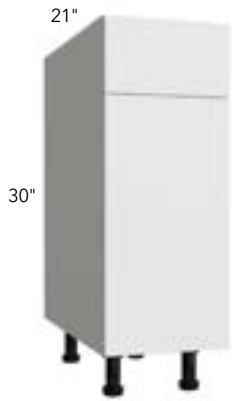
When using two appliances:

It is recommended to provide support for top appliance; PLY-3/4 available to be purchased separately. Fixed shelf to be installed on the jobsite by a qualified installer.

Full panel face frame to be trimmed on site (not by Fabuwood).
Additional Edge-Band available for purchase.

Note: To avoid damage to the frame & side panels, please apply extra care when cutting the front panel.

Vanities



SINGLE DOOR VANITY BASE

ITEM
VB12
VB15
VB18
VB21

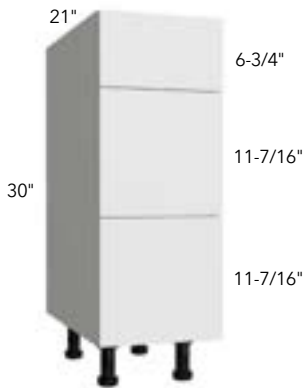
- Includes one 18" deep adjustable shelf
- Note: Need to indicate R or L at time of order*



VANITY BASE

ITEM
VB24
VB27
VB30
VB33
VB36

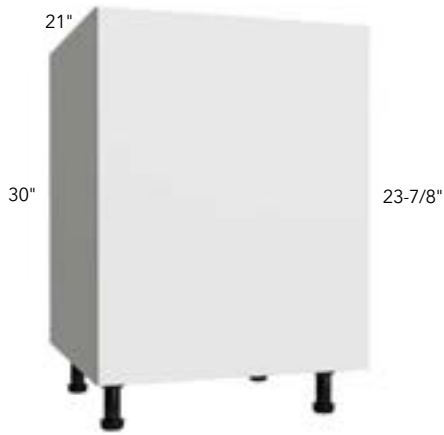
- Includes one 18" deep adjustable shelf



VANITY DRAWER BASE (3 DRAWERS)

ITEM
VDB12
VDB15
VDB18

Vanities



VANITY SINK BASE (FULL HEIGHT SINGLE DOOR)

ITEM

VSB24SFD

Note: Sink Base cabinets come pre-drilled with shelf clip holes. Loose shelves available to purchase separately.



VANITY SINK BASE (SINGLE DOOR WITH DRAWER)

ITEM

VSB24SD

Note: Sink Base cabinets come pre-drilled with shelf clip holes. Loose shelves available to purchase separately.

Vanities



VANITY SINK BASE (SAME LOOK AS 2 DOOR/DRAWER BASE)

ITEM
VSB24
VSB27
VSB30
VSB33
VSB36

Note: Sink Base cabinets come pre-drilled with shelf clip holes. Loose shelves available to purchase separately.



VANITY SINK BASE (FULL HEIGHT 2 DOORS)

ITEM
VSB24FD
VSB27FD
VSB30FD
VSB33FD
VSB36FD

Note: Sink Base cabinets come pre-drilled with shelf clip holes. Loose shelves available to purchase separately.

Base Accessories



ROLL OUT

ITEM
ROD-B15 ILLUME
ROD-B18 ILLUME
ROD-B21 ILLUME
ROD-B24 ILLUME
ROD-B27 ILLUME
ROD-B30 ILLUME
ROD-B33 ILLUME
ROD-B36 ILLUME

- BLUM MERIVOBX Roll-Outs feature Two-dimensional drawer front adjustment & a static load capacity of 75 lb.
- Illume Roll-Outs are Blum MERIVOBX Metal Roll-Outs with Full-Extension Soft-Close Slides
- Pricing is per Roll-Out Drawer & includes installation when ordered as an accessory on a cabinet. Cabinet is not included.
- Can also be used with Pantries. EX: ROD-B24 ILLUME will work in a 24"W Pantry.
- Roll-Out Drawers are also available for 13"D Tall Pantries, 15"D Wall Drawers, and 21"D Vanity Cabinets. Note: ROD's added to a cabinet less than 24"D or in combination with a CUT- depth modification will incur a CUT-ROD surcharge.
- Increased depth of Rollout drawers are by custom request only. Custom quote required.



INTERIOR ROLL OUT FOR 2 DRAWER BASE

ITEM
ROD-DB24-2 ILLUME
ROD-DB27-2 ILLUME
ROD-DB30-2 ILLUME
ROD-DB33-2 ILLUME
ROD-DB36-2 ILLUME

- Available for 2 Drawer Base Cabinet Only
- Features Blum MERIVOBX Metal Roll-Out with Full-Extension Soft-Close Slides
- Includes latch handle that locks into the top drawer, allowing both drawers to open simultaneously (lock can be enabled/disabled with coin)

Note: Includes installation in top drawer only. Cabinet is not included.

Base Accessories



BPOBLB42/45-L ILLUME

BLIND BASE PULL OUT

ITEM

BPO-BLB42/45-R ILLUME

BPO-BLB42/45-L ILLUME

BPO-BLB48/51-R ILLUME

BPO-BLB48/51-L ILLUME

- Cabinet not included, cabinet must be ordered separately
- Includes two trays per accessory
- Available for Drawer and Door and Full Height Door cabinets
- Load Capacity: 55lb (25kg) per tray
- Gray/Chrome Finish



SPOB09 ILLUME

SPICE PULL OUT

ITEM

SPO-B9 ILLUME

SPO-B12 ILLUME

SPO-B15 ILLUME

SPO-B18 ILLUME

- Cabinet not included, cabinet must be ordered separately
- Includes two baskets per accessory
- Load Capacity: 60 lb (27kg)
- Gray/Chrome Finish



18" HEAVY DUTY MIXER LIFT

ITEM

MLU-B18 ILLUME

- Cabinet not included; cabinet must be ordered separately
- Soft-close mechanism features built-in shock dampeners with adjustable spring tension
- Load Capacity: 60 lb (27kg)
- Orion Gray Steel Mechanism with Walnut Wood Block Shelf
- Shelf is 20"(L) x 13-1/4" (W) x 1-3/8" (H)

NOTE: For B18FD Only. Will not work in a door/drawer configuration.

Base Accessories



DOOR MOUNTED PULL OUT

ITEM

DMPO-B12 ILLUME

DMPO-B15 ILLUME

DMPO-B18 ILLUME

DMPO-B21 ILLUME

DMPO-B09FD ILLUME

DMPO-B12FD ILLUME

DMPO-B15FD ILLUME

DMPO-B18FD ILLUME

DMPO-B21FD ILLUME

- Includes two adjustable trays (shipped loose)

Note: Frame includes installation when ordered as an accessory on a cabinet. Cabinet is not included.



YOUBOX PULL OUT

ITEM

UBPO-B12 ILLUME

UBPO-B15 ILLUME

UBPO-B18 ILLUME

UBPO-B12FD ILLUME

UBPO-B15FD ILLUME

UBPO-B18FD ILLUME

- Features:
 - two 1L storage boxes with lids
 - two 2.1L storage boxes
 - one large divider
 - two traverse rails
- Includes two adjustable trays (shipped loose)

Note: Frame includes installation when ordered as an accessory on a cabinet. Cabinet is not included.

Base Accessories



UTILITY & KNIFE PULL OUT

ITEM

UKBPO-B12 ILLUME

UKBPO-B15 ILLUME

UKBPO-B18 ILLUME

UKBPO-B12FD ILLUME

UKBPO-B15FD ILLUME

UKBPO-B18FD ILLUME

- *Features:*
 - utility frame
 - four storage boxes
 - one knife block insert
- *Includes two adjustable trays (shipped loose)*

Note: Frame includes installation when ordered as an accessory on a cabinet. Cabinet is not included.



PAPER TOWEL PULL OUT

ITEM

PTPO-B12 ILLUME

PTPO-B09FD ILLUME

PTPO-B12FD ILLUME

- *Features:*
 - paper towel holder frame
 - one 1L storage box
- *Includes two adjustable trays (shipped loose)*

Note: Frame includes installation when ordered as an accessory on a cabinet. Cabinet is not included.

Base Accessories



BAKER TRAY PULL OUT

ITEM

BTPO-B12 ILLUME

BTPO-B09FD ILLUME

BTPO-B12FD ILLUME

- *Features:*
 - one metal shelf
 - two wire racks
 - elastic bumpers
 - plastic clips

Note: Frame includes installation when ordered as an accessory on a cabinet. Cabinet is not included.



HPO-18



HPO-24

HAMPER PULL OUT

ITEM

HPO-18 ILLUME

HPO-24 ILLUME

- *Cabinet not included, cabinet must be ordered separately*
- *Includes two removable plastic hamper baskets*
- *Total Load Capacity: 100lb (50kg)*

Wall Accessories



FLOATING SHELF - TIMBER

ITEM

FLS24 TIMBER

FLS30 TIMBER

FLS36 TIMBER

FLS42 TIMBER

FLS48 TIMBER

FLS54 TIMBER

FLS60 TIMBER

- Includes hanging bracket & mounting hardware



FLOATING SHELF - WALNUT

ITEM

FLS24 WALNUT

FLS30 WALNUT

FLS36 WALNUT

FLS42 WALNUT

FLS48 WALNUT

FLS54 WALNUT

FLS60 WALNUT

- Includes hanging bracket & mounting hardware

Wall Accessories



FLOATING SHELF - BLACK MATTE

ITEM

FLS24 BLACK M

FLS30 BLACK M

FLS36 BLACK M

FLS42 BLACK M

FLS48 BLACK M

FLS54 BLACK M

FLS60 BLACK M

- Includes hanging bracket & mounting hardware



FLOATING SHELF - WHITE MATTE

ITEM

FLS24 WHITE M

FLS30 WHITE M

FLS36 WHITE M

FLS42 WHITE M

FLS48 WHITE M

FLS54 WHITE M

FLS60 WHITE M

- Includes hanging bracket & mounting hardware

Wall Accessories



LAZY SUSAN TWISTER

ITEM

LSTS24 30 ILLUME

LSTS24 36 ILLUME

LSTS24 39/42 ILLUME

- *LSTS24 30 ILLUME: Includes two twister trays (shipped loose)*
- *LSTS24 36/39/42 ILLUME: Includes three twister trays (shipped loose)*

Note: Frame includes installation when ordered as an accessory on a cabinet. Cabinet is not included.



PULL DOWN SHELF

ITEM

PDS-W24 ILLUME

PDS-W36 ILLUME

- *Cabinet not included, cabinet must be ordered separately*
- *Features two chrome wire shelves*
- *Gas-assisted lifting/lowering mechanism*
- *Pulls down 11-1/2" and out 16-3/4"*
- *Load Capacity: 17lb*

NOTE: For 24/36"W x 30/36/42"H Wall Cabinets only.

Waste Solutions

TRASH CAN

ITEM

TC15 ILLUME

TC18 ILLUME

TC21 ILLUME

- Cabinet not included, cabinet must be ordered separately
- TC15 = one 35qt can + 1 bag bin
TC18 & TC21 = two 35qt cans
- MERIVOBX Drawer
- 175lb static, 150lb dynamic load rating

TRASH CAN FULL-HEIGHT DOOR

ITEM

TC15FHD ILLUME

TC18FHD ILLUME

TC21FHD ILLUME

- Cabinet not included, cabinet must be ordered separately
- TC15FHD = one 50qt can + 1 bag bin
TC18FHD & TC21FHD = two 50qt cans
- MERIVOBX Drawer
- 175lb static, 150lb dynamic load rating

Sink Accessories



TILT OUT

ITEM

TILTOUT 11"

TILTOUT 14"

TILTOUT 24"

- TILTOUT 11 - available for SB27*, VSB27*
- TILTOUT 14 - available for SB21, SB24, SB24SD, SB33*, SB36*, VSB24, VSB24SD, VSB33*, VSB36*
- TILTOUT 24 - SB30, VSB30

* 2 trays



SBPO1-21/36 ILLUME



SBPO3-21/36 ILLUME

SINK BASE PULL OUT

ITEM

SBPO1-21/36 ILLUME

SBPO3-21/36 ILLUME

- SBPO1-21/36 ILLUME Features:
 - one removable basket with handle
 - four dividers
- SBPO3-21/36 ILLUME Features:
 - one removable basket with handle
 - one basket without handle
 - one swivel basket
 - eight dividers

Note: Frame includes installation when ordered as an accessory on a cabinet. Cabinet is not included.

Sink & Appliance Accessories



SINK MAT

ITEM

UNDER SINK MAT

- Product will be cut to size when purchased as accessory for cabinet.
- Product Purchased Separately will ship loose in 48"x30" Sheets.
- Grey waterproof polystyrene mat with stainless steel detail



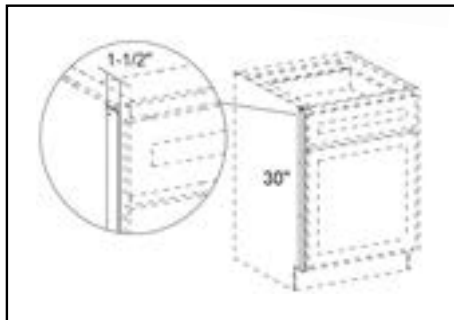
ILLUME HEAT SHIELD

ITEM

HEAT SHIELD WHITE

- 1/16" thick powder-coated steel with pre-drilled installation holes.
- Required in order to shield the Illume Laminate Cabinet Box from adjacent oven heat.
- Sold individually; must order quantity of 2.

NOTE: This item is required when installing cabinets on either side of a heating appliance (for example a Range). Fabuwood does not take responsibility for failure to order this item and will not warranty Illume Cabinetry that has not been installed with the heat shield adjacent to a heating appliance.



Drawer Accessories



TRIMMABLE SMALL CUTLERY DIVIDER

ITEM

CD-S ILLUME

- Black ash finish
- Fits 1 insert

NOTE: Ensure inserts are ordered according to the specific capacity of each cutlery divider



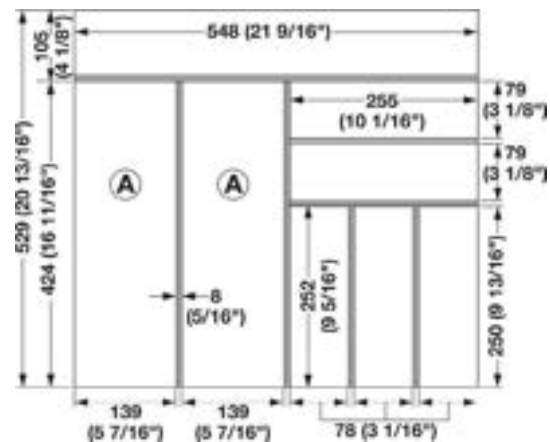
TRIMMABLE MEDIUM CUTLERY DIVIDER

ITEM

CD-M ILLUME

- Black ash finish
- Fits 2 inserts

NOTE: Ensure inserts are ordered according to the specific capacity of each cutlery divider



Drawer Accessories



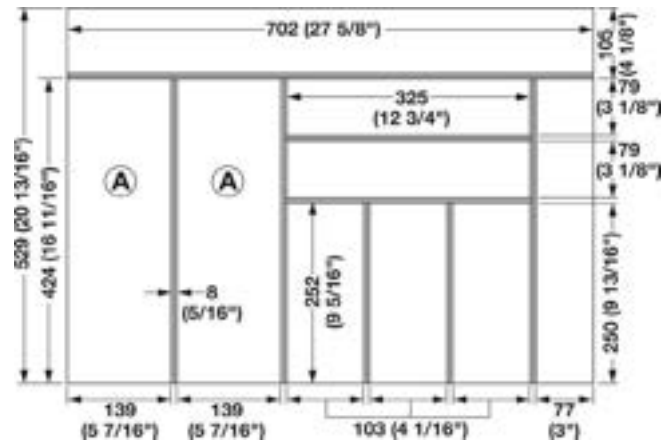
TRIMMABLE LARGE CUTLERY DIVIDER

ITEM

CD-L ILLUME

- Black ash finish
- Fits 2 inserts

NOTE: Ensure inserts are ordered according to the specific capacity of each cutlery divider



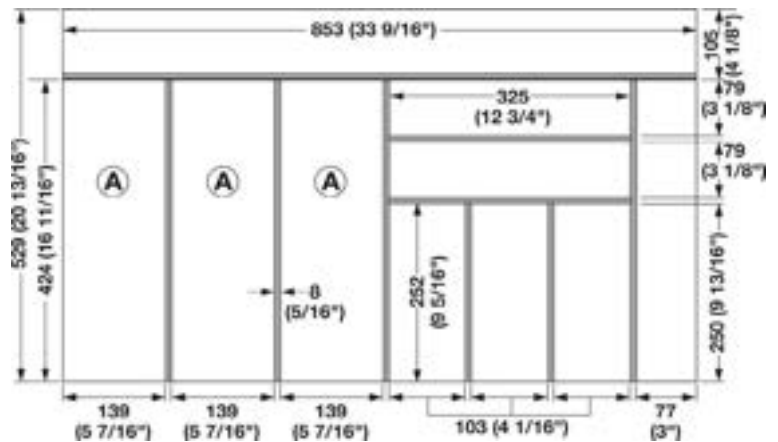
TRIMMABLE EXTRA LARGE CUTLERY DIVIDER

ITEM

CD-XL ILLUME

- Black ash finish
- Fits 3 inserts

NOTE: Ensure inserts are ordered according to the specific capacity of each cutlery divider



Drawer Accessories



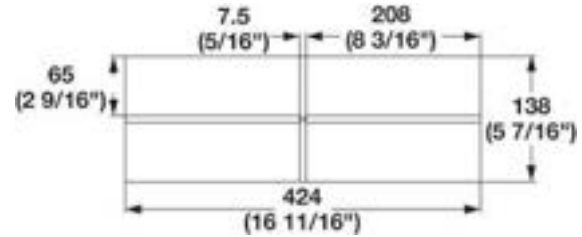
CROSS DIVIDER INSERT

ITEM

CD-CDI ILLUME

- Black ash finish

NOTE: Ensure inserts are ordered according to the specific capacity of each cutlery divider



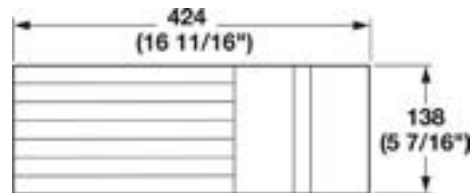
KNIFE INSERT

ITEM

CD-KI ILLUME

- Black ash finish

NOTE: Ensure inserts are ordered according to the specific capacity of each cutlery divider



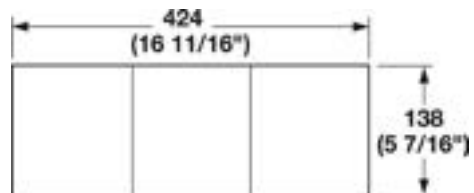
SPICE INSERT

ITEM

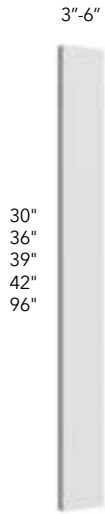
CD-SI ILLUME

- Black ash finish

NOTE: Ensure inserts are ordered according to the specific capacity of each cutlery divider



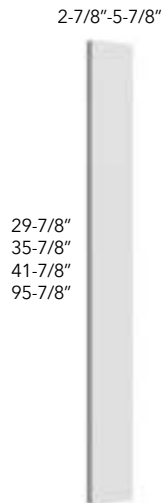
Fillers



WALL, TALL & BASE

ITEM
WF330
WF336
WF339
WF342
WF630
WF636
WF639
WF642
TF396
TF696
BF3*
BF6*

- *Fillers are finished on two sides and edge-banded on all four edges*



OVERLAY FILLER

ITEM
OLF330
OLF336
OLF342
OLF384
OLF390
OLF396
OLF630
OLF636
OLF642

- *Fillers are finished on two sides and edge-banded on all four edges*

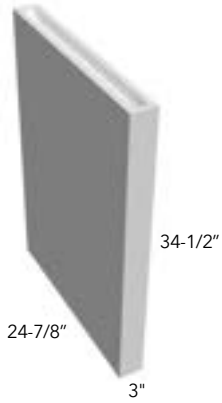
Fillers



CORNER FILLER

ITEM
CF330
CF336
CF339
CF342
CF630
CF636
CF639
CF642

Columns

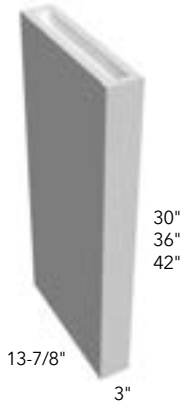


BASE COLUMN

ITEM

CLM-BASE

- Sides are flush finished
- Back is unfinished



WALL COLUMNS

ITEM

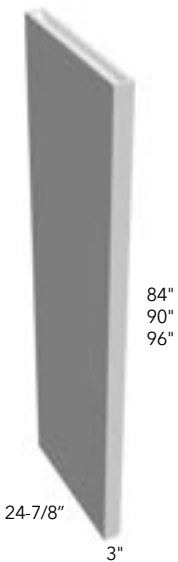
CLM-30

CLM-36

CLM-39

CLM-42

- Sides are flush finished
- Back is unfinished



TALL COLUMN

ITEM

CLM-84

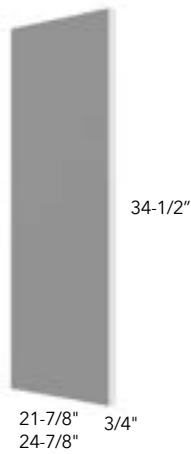
CLM-90

CLM-93

CLM-96

- Sides are flush finished
- Back is unfinished

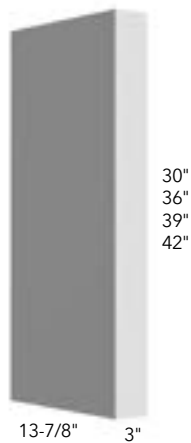
End Panels



BASE END PANEL

ITEM
BEP
VBEP

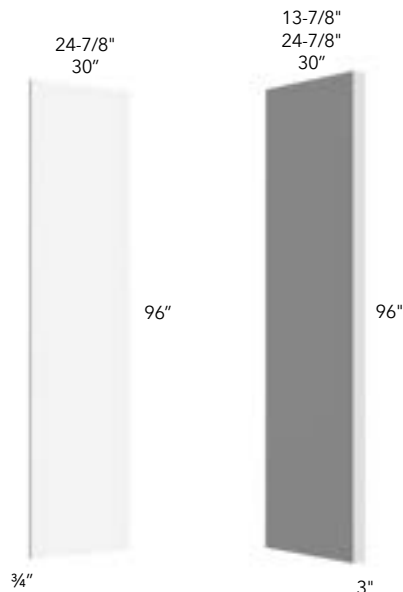
- * Finished on two sides and edge-banded on all four edges
- Additional Edge-Band available for purchase
- BEP: 24-7/8"W x 34-1/2"H
- VBEP: 21-7/8"W x 34-1/2"H



WALL END PANEL

ITEM
WEP1430 x 3
WEP1436 x 3
WEP1439 X 3
WEP1442 x 3

- * Finished on two sides and edge-banded on all four edges
- End panels with filler have flush finished sides and edge-banding on all four edges
- Additional Edge-Band available for purchase

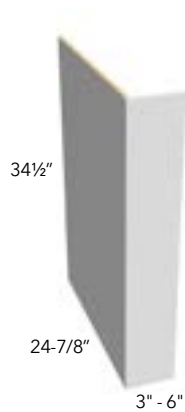
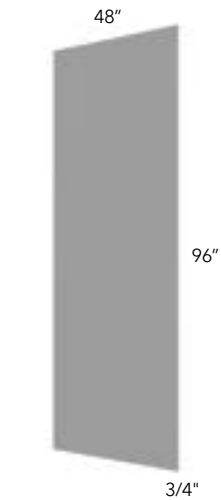


REFRIGERATOR END PANEL

ITEM
TEP*
REP2596*
REP3096*
REP1496 x 3
REP2596 x 3
REP3096 x 3

- * Finished on two sides and edge-banded on all four edges
- Edge-banded all around
- End panels with filler have flush finished sides and edge-banding on all four edges
- Additional Edge-Band available for purchase

Panels



MDF

ITEM

PAN-3/4

PAN-3/4 4X9

- PAN-3/4: Signature Matte & Gloss Colors only
- PAN-3/4 4X9: Designer Collection Colors & Signature Textured Colors only
- Front side has full finish; Back side has reduced detail, matte finish
- No edge-band

DISHWASHER RETURN END PANEL

ITEM

DWR3

DWR6

- Dishwasher End Panels with filler have flush finished sides and edge-banding on all four edges
- Additional Edge-Band available for purchase

FINISHED END SKIN

ITEM

SK BASE

SK MC

SK TALL

SK T13D

SK W30

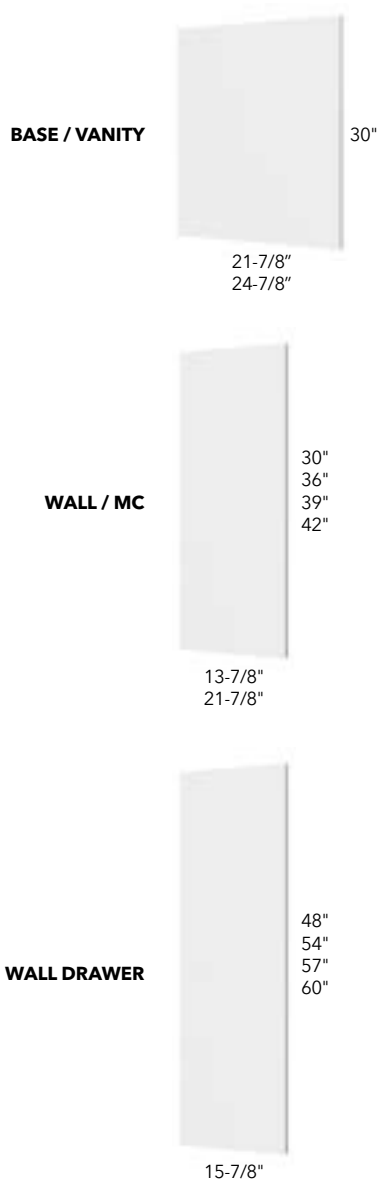
SK W36

SK W42

SK WD

- Available for the 4 Signature colors only (Bianco Matte, Bianco Gloss, Carbone Matte, Grigio Gloss)
- 1/16" thick skin has peel off adhesive backing
- Skin Dimensions:
 - » SK BASE: 24" x 30"
 - » SK MC: 20" x 42"
 - » SK TALL: 24" x 96"
 - » SK T13D: 13" x 96"
 - » SK W30: 13" x 30"
 - » SK W36: 13" x 36"
 - » SK W42: 13" x 42"
 - » SK WD: 15" x 60"

Wainscot Panels



WAINSCOT PANEL - BASE & WALL

ITEM

WP-BASE

WP-VBASE

WP-W12

WP-W15

WP-W18

WP-W21

WP-W24

WP-W30

WP-W36

WP-W39

WP-W42

WP-MC30

WP-MC36

WP-MC39

WP-MC42

WP-WD48

WP-WD54

WP-WD57

WP-WD60

WP-W1224D

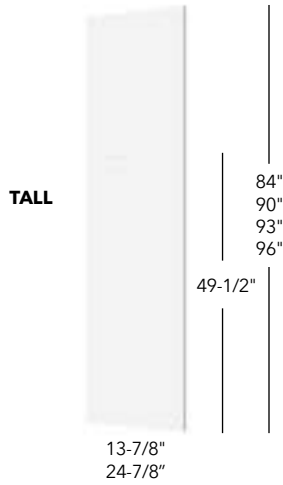
WP-W1524D

WP-W1824D

WP-W2124D

WP-W2424D

- Same profile as cabinet door (3/4" thick)
- Dimensions:
 - Base: 24-7/8"W x 30"H
 - Vanity Base (21"D): 21-7/8"W x 30"H
 - Wall (13"D): 13-7/8"W x 30"H / 36"H / 42"H
 - Wall (24"D): 24-7/8"W x 12"H / 15"H / 18"H / 24"H
 - Wall Microwave (21"D): 21-7/8"W x 30"H / 36"H / 42"H
 - Wall Drawer (15"D): 15-7/8"W x 48"H / 54"H / 60"H



WAINSCOT PANEL - TALL

ITEM
WP-T84
WP-T90
WP-T93
WP-T96
WP-T8413D
WP-T9013D
WP-T9313D
WP-T9613D

- Same profile as cabinet door (3/4" thick)
- Dimensions:
 - Tall (13"D): 13-7/8"W x 84"H / 90"H / 96"H
Note: Bottom door is 49-1/2"H
 - Tall (24"D): 24-7/8"W x 84"H / 90"H / 96"H
Note: Bottom door is 49-1/2"H

Moldings (8')



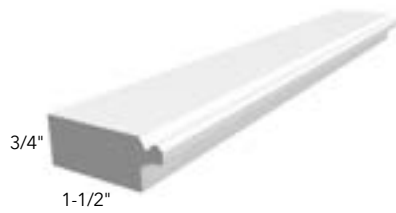
TOE KICK

ITEM

TK8-3/4

BBM

- Edge-banded on all 4 edges
- Additional Edge-Band available for purchase



STARTER

ITEM

STRM-8

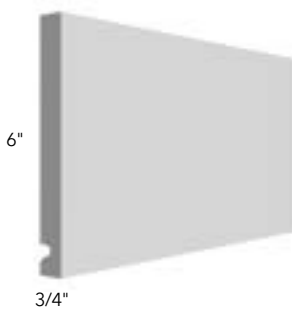


LIGHT RAIL

ITEM

LRM

- Use with STRM-8 to install LRM to be flushed with front of door



STRAIGHT VALANCE

ITEM

VST-6

- Use STRM-8 for Soffit build-up

EXAMPLES OF STRM-8 APPLICATION:

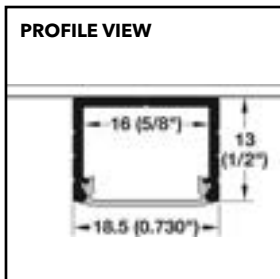


LRM + STRM-8



VST-6 + STRM-8

Cabinet Lighting



UNDER CABINET LED

ITEM
LED W09
LED W12
LED W15
LED W18
LED W21
LED W24
LED W27
LED W30
LED W33
LED W36
LED W39

- *Dimmable. Settings allow for adjustment between Warm White to Cool White lighting*
- *Light temperature range of 2700-5000K*
- *LED Lighting bars are designed to be surface-mounted underneath a wall cabinet*
- *Consists of an aluminum channel housing with diffuser cover*
- *Requires Driver, Mesh Connector, & Recommended Light Switch (purchased separately).*

Note: *Installation by a qualified cabinetry installer or electrician is recommended.*

Cabinet Lighting



LED FLS30 WALNUT SHOWN

FLOATING SHELF WITH LED - TIMBER

ITEM
LED FLS24 TIMBER
LED FLS30 TIMBER
LED FLS36 TIMBER
LED FLS42 TIMBER
LED FLS48 TIMBER
LED FLS54 TIMBER
LED FLS60 TIMBER

FLOATING SHELF WITH LED - WALNUT

ITEM
LED FLS24 WALNUT
LED FLS30 WALNUT
LED FLS36 WALNUT
LED FLS42 WALNUT
LED FLS48 WALNUT
LED FLS54 WALNUT
LED FLS60 WALNUT

- Dimmable. Settings allow for adjustment between Warm White to Cool White lighting
- Light temperature range of 2700-5000K
- Floating shelves include a Light Bar with 6.5ft Lead and a 6.5ft Extension Lead
- LED Light Bar for Floating Shelves ship loose and are to be installed in the field
- Channel is pre-routed to accommodate LED light bar installation
- Floating Shelves with LED are available in Stock Paint and Stain Finishes, Walnut and are to be specified at time of order. For Finishing to a custom color, must be ordered as Dove or Frost.
- Requires Driver, Mesh Connector, & Recommended Light Switch (purchased separately).

Note: Installation by a qualified cabinetry installer or electrician is recommended.

Cabinet Lighting



FLOATING SHELF WITH LED - BLACK MATTE

ITEM
LED FLS24 BLACK M
LED FLS30 BLACK M
LED FLS36 BLACK M
LED FLS42 BLACK M
LED FLS48 BLACK M
LED FLS54 BLACK M
LED FLS60 BLACK M



FLOATING SHELF WITH LED - WHITE MATTE

ITEM
LED FLS24 WHITE M
LED FLS30 WHITE M
LED FLS36 WHITE M
LED FLS42 WHITE M
LED FLS48 WHITE M
LED FLS54 WHITE M
LED FLS60 WHITE M

- Dimmable. Settings allow for adjustment between Warm White to Cool White lighting
- Light temperature range of 2700-5000K
- Floating shelves include a Light Bar with 6.5ft Lead and a 6.5ft Extension Lead
- LED Light Bar for Floating Shelves ship loose and are to be installed in the field
- Channel is pre-routed to accommodate LED light bar installation
- Floating Shelves with LED are available in Stock Paint and Stain Finishes, Walnut and are to be specified at time of order. For Finishing to a custom color, must be ordered as Dove or Frost.
- Requires Driver, Mesh Connector, & Recommended Light Switch (purchased separately).

Note: Installation by a qualified cabinetry installer or electrician is recommended.

Cabinet Lighting



PUCK LIGHT

COVER CAP

LEAD

PUCK LIGHT SET

ITEM

LED 2-1/4" PUCK

- Designed to recess into the bottom of a cabinet or soffit box.
- Includes puck light, silver cover cap, and lead
- Light temperature range of 2700-5000K
- Requires Driver, Mesh Connector, & Recommended Light Switch (purchased separately).

Note: Installation by a qualified cabinetry installer or electrician is recommended.

LED INTERIOR CABINET LIGHTING

ITEM

LED CAB INT 48" STRIP



- Flexible LED Lighting Strip designed for interior cabinet lighting.
- Strip can be trimmed in 2" intervals to fit as needed
- Medium Intensity lighting
- Requires Driver, Mesh Connector, & Recommended Light Switch (purchased separately).

Note: Installation by a qualified cabinetry installer or electrician is recommended.

TUNABLE LED STRIP

ITEM

LED STRIP TUNABLE WHITE 10MM



- Flexible LED Lighting Strip designed for ambient cabinet lighting.
- Full length is 86-9/16"
- Includes two pre-attached 78-3/4" leads, one on each end
- Features uniform light output: LED dots are not visible
- Encased in a silicone sleeve eliminating the need for a profile
- Strip can be trimmed in 2" intervals to fit as needed
- Requires Driver, Mesh Connector, & Recommended Light Switch (purchased separately).

Note: Installation by a qualified cabinetry installer or electrician is recommended.

Cabinet Lighting



DRIVER

ITEM

LED DRIVER

- 90w Driver 24V
- Includes power cord

Installation by a qualified cabinetry installer or electrician is recommended



MESH CONNECTOR

ITEM

LED MESH CONNECTOR

- 4-Port Mesh Distribution Box
- Bluetooth-enabled (Can pair with Wall Switch)

Installation by a qualified cabinetry installer or electrician is recommended



WIRELESS WALL LIGHT SWITCH

ITEM

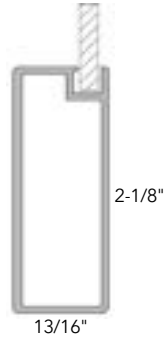
LED WLS SWITCH

- Leviton Decora-style Wall Switch with Dimmer Function

Note: Installation by a qualified cabinetry installer or electrician is recommended.

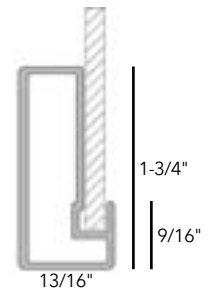
Metal Glass Door Program

PROFILES



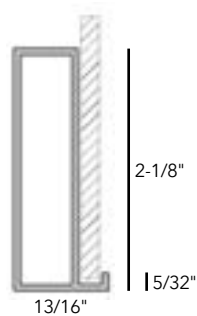
FAB003

- Shaker style frame
- Profile is 54mm (2-1/8") Wide x 20.5mm (13/16") Thick



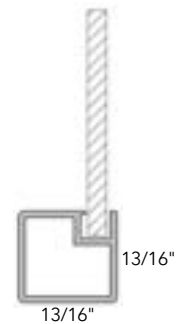
FAB004

- Shaker-within-shaker style frame, Shaker Frame with Recess, Shaker-style frame with raised
- Profile is 45mm (1-3/4") Wide x 20.5mm (13/16") Thick



FAB014

- Wide Frame with Narrow Bezel Edge & Glass Overlay
- Profile is 54mm (2-1/8") Wide x 20.5mm (13/16") Thick; the glass insert lays on top of the profile and then 4mm (5/32") bezel detail overlays the glass insert

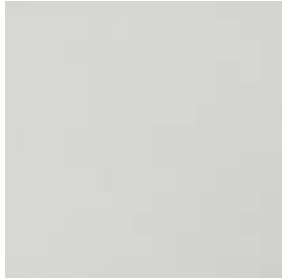


FAB017

- Profile is 21mm (13/16") Wide x 20.5mm (13/16") Thick
- * Includes BLUM CLIP-ON Self-Close hinges (Not Soft-Close)

Metal Glass Door Program

METAL FINISHES



NATURAL ALUMINUM



BRUSHED STAINLESS



ONYX BLACK MATTE



GOLD

GLASS INSERT COLORS



CLEAR



GREY CLEAR



BRONZE CLEAR



SATIN

SKU GUIDE FOR LOOSE DOORS

SKUs in EZPO are created based on Aluminum finish.

The Product Code will include nomenclature for IDMG (Illume Door Metal Glass), followed by the Color Code.

- IDMG-BLK {Onyx Black Matte}
- IDMG-GLD {Gold}
- IDMG-NAL {Natural Aluminum}
- IDMG-BRS {Brushed Stainless}

Then, the cabinet product code will follow.

- Example: **IDMG-BLK W1830** (Illume Door Metal Glass for W1830)

Metal Glass Doors

ONYX BLACK MATTE

ITEM
IDMG-BLK MC304221
IDMG-BLK W0930
IDMG-BLK W0936
IDMG-BLK W0942
IDMG-BLK W1230
IDMG-BLK W1236
IDMG-BLK W1242
IDMG-BLK W1530
IDMG-BLK W1536
IDMG-BLK W1542
IDMG-BLK W1815LU
IDMG-BLK W1818LU
IDMG-BLK W1830
IDMG-BLK W1836
IDMG-BLK W1842
IDMG-BLK W2115LU
IDMG-BLK W2118LU
IDMG-BLK W2130
IDMG-BLK W2136
IDMG-BLK W2142
IDMG-BLK W2412
IDMG-BLK W2415LU
IDMG-BLK W2418
IDMG-BLK W2418LU
IDMG-BLK W2424
IDMG-BLK W2430
IDMG-BLK W2430SD
IDMG-BLK W2436
IDMG-BLK W2436SD
IDMG-BLK W2442
IDMG-BLK W2442SD
IDMG-BLK W2715LU
IDMG-BLK W2718LU
IDMG-BLK W2730
IDMG-BLK W2736
IDMG-BLK W2742
IDMG-BLK W3012
IDMG-BLK W3015
IDMG-BLK W3015LU
IDMG-BLK W3018
IDMG-BLK W3018LU
IDMG-BLK W3024
IDMG-BLK W3030
IDMG-BLK W3036
IDMG-BLK W3042
IDMG-BLK W3312

ITEM
IDMG-BLK W3315
IDMG-BLK W3315LU
IDMG-BLK W3318
IDMG-BLK W3318LU
IDMG-BLK W3324
IDMG-BLK W3330
IDMG-BLK W3336
IDMG-BLK W3342
IDMG-BLK W3612
IDMG-BLK W3615
IDMG-BLK W3615LU
IDMG-BLK W3618
IDMG-BLK W3618LU
IDMG-BLK W3624
IDMG-BLK W3630
IDMG-BLK W3636
IDMG-BLK W3642
IDMG-BLK W421224LU
IDMG-BLK W481224LU
IDMG-BLK WAC2418
IDMG-BLK WAC3018
IDMG-BLK WAC3318
IDMG-BLK WAC3618
IDMG-BLK WBC2730
IDMG-BLK WBC2736
IDMG-BLK WBC2742
IDMG-BLK WBC3030
IDMG-BLK WBC3036
IDMG-BLK WBC3042
IDMG-BLK WBC3630
IDMG-BLK WBC3636
IDMG-BLK WBC3642
IDMG-BLK WD1848
IDMG-BLK WD1854
IDMG-BLK WD1860
IDMG-BLK WD2448
IDMG-BLK WD2454
IDMG-BLK WD2460
IDMG-BLK WDC2415
IDMG-BLK WDC2418
IDMG-BLK WDC2430
IDMG-BLK WDC2436
IDMG-BLK WDC2442
IDMG-BLK WPC2430
IDMG-BLK WPC2436
IDMG-BLK WPC2442

Metal Glass Doors

BRUSHED STAINLESS

ITEM
IDMG-BRS MC304221
IDMG-BRS W0930
IDMG-BRS W0936
IDMG-BRS W0942
IDMG-BRS W1230
IDMG-BRS W1236
IDMG-BRS W1242
IDMG-BRS W1530
IDMG-BRS W1536
IDMG-BRS W1542
IDMG-BRS W1815LU
IDMG-BRS W1818LU
IDMG-BRS W1830
IDMG-BRS W1836
IDMG-BRS W1842
IDMG-BRS W2115LU
IDMG-BRS W2118LU
IDMG-BRS W2130
IDMG-BRS W2136
IDMG-BRS W2142
IDMG-BRS W2412
IDMG-BRS W2415LU
IDMG-BRS W2418
IDMG-BRS W2418LU
IDMG-BRS W2424
IDMG-BRS W2430
IDMG-BRS W2430SD
IDMG-BRS W2436
IDMG-BRS W2436SD
IDMG-BRS W2442
IDMG-BRS W2442SD
IDMG-BRS W2715LU
IDMG-BRS W2718LU
IDMG-BRS W2730
IDMG-BRS W2736
IDMG-BRS W2742
IDMG-BRS W3012
IDMG-BRS W3015
IDMG-BRS W3015LU
IDMG-BRS W3018
IDMG-BRS W3018LU
IDMG-BRS W3024
IDMG-BRS W3030
IDMG-BRS W3036
IDMG-BRS W3042
IDMG-BRS W3312

ITEM
IDMG-BRS W3315
IDMG-BRS W3315LU
IDMG-BRS W3318
IDMG-BRS W3318LU
IDMG-BRS W3324
IDMG-BRS W3330
IDMG-BRS W3336
IDMG-BRS W3342
IDMG-BRS W3612
IDMG-BRS W3615
IDMG-BRS W3615LU
IDMG-BRS W3618
IDMG-BRS W3618LU
IDMG-BRS W3624
IDMG-BRS W3630
IDMG-BRS W3636
IDMG-BRS W3642
IDMG-BRS W421224LU
IDMG-BRS W481224LU
IDMG-BRS WAC2418
IDMG-BRS WAC3018
IDMG-BRS WAC3318
IDMG-BRS WAC3618
IDMG-BRS WBC2730
IDMG-BRS WBC2736
IDMG-BRS WBC2742
IDMG-BRS WBC3030
IDMG-BRS WBC3036
IDMG-BRS WBC3042
IDMG-BRS WBC3630
IDMG-BRS WBC3636
IDMG-BRS WBC3642
IDMG-BRS WD1848
IDMG-BRS WD1854
IDMG-BRS WD1860
IDMG-BRS WD2448
IDMG-BRS WD2454
IDMG-BRS WD2460
IDMG-BRS WDC2415
IDMG-BRS WDC2418
IDMG-BRS WDC2430
IDMG-BRS WDC2436
IDMG-BRS WDC2442
IDMG-BRS WPC2430
IDMG-BRS WPC2436
IDMG-BRS WPC2442

Metal Glass Doors

GOLD

ITEM
IDMG-GLD MC304221
IDMG-GLD W0930
IDMG-GLD W0936
IDMG-GLD W0942
IDMG-GLD W1230
IDMG-GLD W1236
IDMG-GLD W1242
IDMG-GLD W1530
IDMG-GLD W1536
IDMG-GLD W1542
IDMG-GLD W1815LU
IDMG-GLD W1818LU
IDMG-GLD W1830
IDMG-GLD W1836
IDMG-GLD W1842
IDMG-GLD W2115LU
IDMG-GLD W2118LU
IDMG-GLD W2130
IDMG-GLD W2136
IDMG-GLD W2142
IDMG-GLD W2412
IDMG-GLD W2415LU
IDMG-GLD W2418
IDMG-GLD W2418LU
IDMG-GLD W2424
IDMG-GLD W2430
IDMG-GLD W2430SD
IDMG-GLD W2436
IDMG-GLD W2436SD
IDMG-GLD W2442
IDMG-GLD W2442SD
IDMG-GLD W2715LU
IDMG-GLD W2718LU
IDMG-GLD W2730
IDMG-GLD W2736
IDMG-GLD W2742
IDMG-GLD W3012
IDMG-GLD W3015
IDMG-GLD W3015LU
IDMG-GLD W3018
IDMG-GLD W3018LU
IDMG-GLD W3024
IDMG-GLD W3030
IDMG-GLD W3036
IDMG-GLD W3042
IDMG-GLD W3312

ITEM
IDMG-GLD W3315
IDMG-GLD W3315LU
IDMG-GLD W3318
IDMG-GLD W3318LU
IDMG-GLD W3324
IDMG-GLD W3330
IDMG-GLD W3336
IDMG-GLD W3342
IDMG-GLD W3612
IDMG-GLD W3615
IDMG-GLD W3615LU
IDMG-GLD W3618
IDMG-GLD W3618LU
IDMG-GLD W3624
IDMG-GLD W3630
IDMG-GLD W3636
IDMG-GLD W3642
IDMG-GLD W421224LU
IDMG-GLD W481224LU
IDMG-GLD WAC2418
IDMG-GLD WAC3018
IDMG-GLD WAC3318
IDMG-GLD WAC3618
IDMG-GLD WBC2730
IDMG-GLD WBC2736
IDMG-GLD WBC2742
IDMG-GLD WBC3030
IDMG-GLD WBC3036
IDMG-GLD WBC3042
IDMG-GLD WBC3630
IDMG-GLD WBC3636
IDMG-GLD WBC3642
IDMG-GLD WD1848
IDMG-GLD WD1854
IDMG-GLD WD1860
IDMG-GLD WD2448
IDMG-GLD WD2454
IDMG-GLD WD2460
IDMG-GLD WDC2415
IDMG-GLD WDC2418
IDMG-GLD WDC2430
IDMG-GLD WDC2436
IDMG-GLD WDC2442
IDMG-GLD WPC2430
IDMG-GLD WPC2436
IDMG-GLD WPC2442

Metal Glass Doors

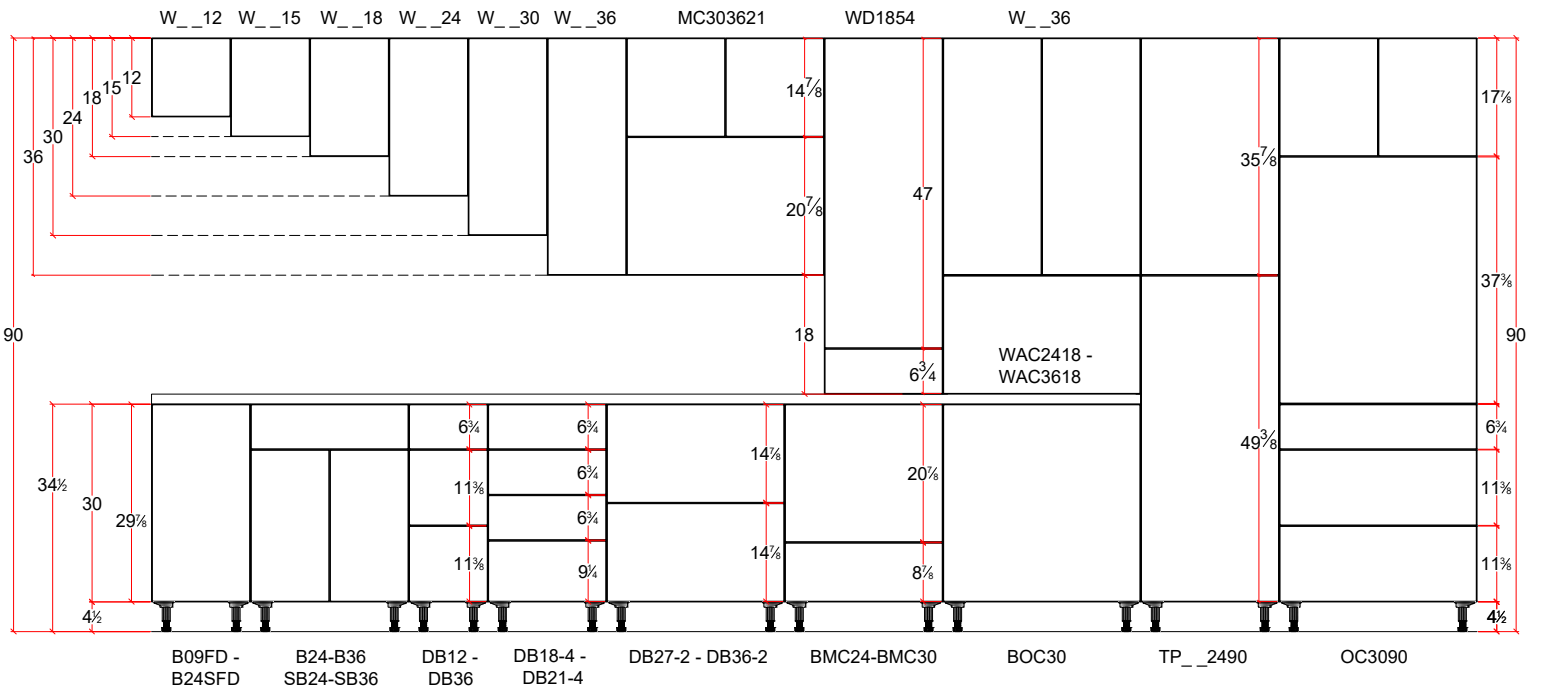
NATURAL ALUMINUM

ITEM
IDMG-NAL MC304221
IDMG-NAL W0930
IDMG-NAL W0936
IDMG-NAL W0942
IDMG-NAL W1230
IDMG-NAL W1236
IDMG-NAL W1242
IDMG-NAL W1530
IDMG-NAL W1536
IDMG-NAL W1542
IDMG-NAL W1815LU
IDMG-NAL W1818LU
IDMG-NAL W1830
IDMG-NAL W1836
IDMG-NAL W1842
IDMG-NAL W2115LU
IDMG-NAL W2118LU
IDMG-NAL W2130
IDMG-NAL W2136
IDMG-NAL W2142
IDMG-NAL W2412
IDMG-NAL W2415LU
IDMG-NAL W2418
IDMG-NAL W2418LU
IDMG-NAL W2424
IDMG-NAL W2430
IDMG-NAL W2430SD
IDMG-NAL W2436
IDMG-NAL W2436SD
IDMG-NAL W2442
IDMG-NAL W2442SD
IDMG-NAL W2715LU
IDMG-NAL W2718LU
IDMG-NAL W2730
IDMG-NAL W2736
IDMG-NAL W2742
IDMG-NAL W3012
IDMG-NAL W3015
IDMG-NAL W3015LU
IDMG-NAL W3018
IDMG-NAL W3018LU
IDMG-NAL W3024
IDMG-NAL W3030
IDMG-NAL W3036
IDMG-NAL W3042
IDMG-NAL W3312

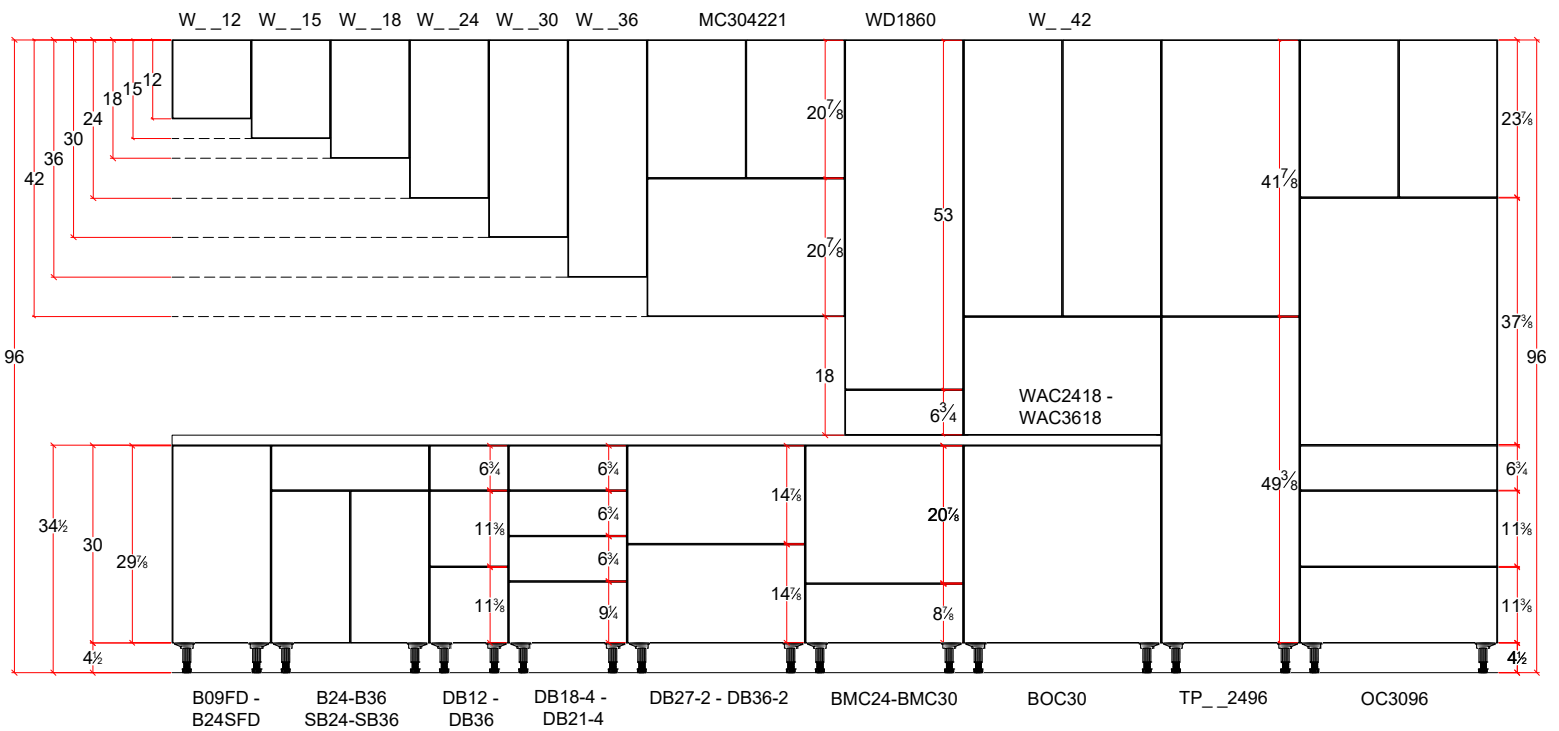
ITEM
IDMG-NAL W3315
IDMG-NAL W3315LU
IDMG-NAL W3318
IDMG-NAL W3318LU
IDMG-NAL W3324
IDMG-NAL W3330
IDMG-NAL W3336
IDMG-NAL W3342
IDMG-NAL W3612
IDMG-NAL W3615
IDMG-NAL W3615LU
IDMG-NAL W3618
IDMG-NAL W3618LU
IDMG-NAL W3624
IDMG-NAL W3630
IDMG-NAL W3636
IDMG-NAL W3642
IDMG-NAL W421224LU
IDMG-NAL W481224LU
IDMG-NAL WAC2418
IDMG-NAL WAC3018
IDMG-NAL WAC3318
IDMG-NAL WAC3618
IDMG-NAL WBC2730
IDMG-NAL WBC2736
IDMG-NAL WBC2742
IDMG-NAL WBC3030
IDMG-NAL WBC3036
IDMG-NAL WBC3042
IDMG-NAL WBC3630
IDMG-NAL WBC3636
IDMG-NAL WBC3642
IDMG-NAL WD1848
IDMG-NAL WD1854
IDMG-NAL WD1860
IDMG-NAL WD2448
IDMG-NAL WD2454
IDMG-NAL WD2460
IDMG-NAL WDC2415
IDMG-NAL WDC2418
IDMG-NAL WDC2430
IDMG-NAL WDC2436
IDMG-NAL WDC2442
IDMG-NAL WPC2430
IDMG-NAL WPC2436
IDMG-NAL WPC2442

Height Alignment Guide

90" Height Alignment



96" Height Alignment



Copyright © 2026 by Fabuwood Cabinetry Corp.

All rights reserved.

No part of this publication may be reproduced, distributed, or transmitted in any form or by any means, including photocopying, scanning, or other electronic or mechanical methods, including online sharing, without the prior written permission of Fabuwood Cabinetry Corp.

