



Valencia

Specifications Guide / Valid Through February 2026

Interactive Index

Construction Specifications	2
Warranty	4
Door Styles	5
Vanities	6



Construction Specifications

Doors and Drawer Fronts:

Doors and drawer fronts in the Valencia line are made of solid wood stiles and rails joined together using mortise and tenon joints with an MDF center panel to reduce the possibility of shrinkage and is the preferred material for painted finishes. Doors & Drawer fronts are installed with a Framed Inset overlay so they are flush with the front of the face frame.

Hinges:

All Valencia door styles come standard with Blum Compact Clip Concealed Hinges and feature Quick-Release Technology with Blumotion Soft-close. Hinges are six-way adjustable and open at 110°.

Drawers:

The Valencia line includes a 5/8" thick solid wood dovetail drawer box with a 3/8" plywood bottom attached to BLUM Tandem Full Extension drawer runners featuring Blumotion soft-close. Interior drawer height is 3".

Shelving:

18mm (3/4") thick select veneered plywood, with matching wood veneer edge banding is used on all vanity cabinetry where applicable. The adjustable shelves are supported by metal shelf clips. All Valencia vanity sink bases include a 17 1/2" deep adjustable shelf with u-shaped plumbing cut-out, finished to match door style color.

Cabinet Sides, Bottoms, & Back Panels:

1/2" thick veneered plywood with matching finished interiors & exterior. Side panels & back panels are integrated into solid wood framing using Cutting-Edge Threespine(TM) Click Technology.

Face Frame:

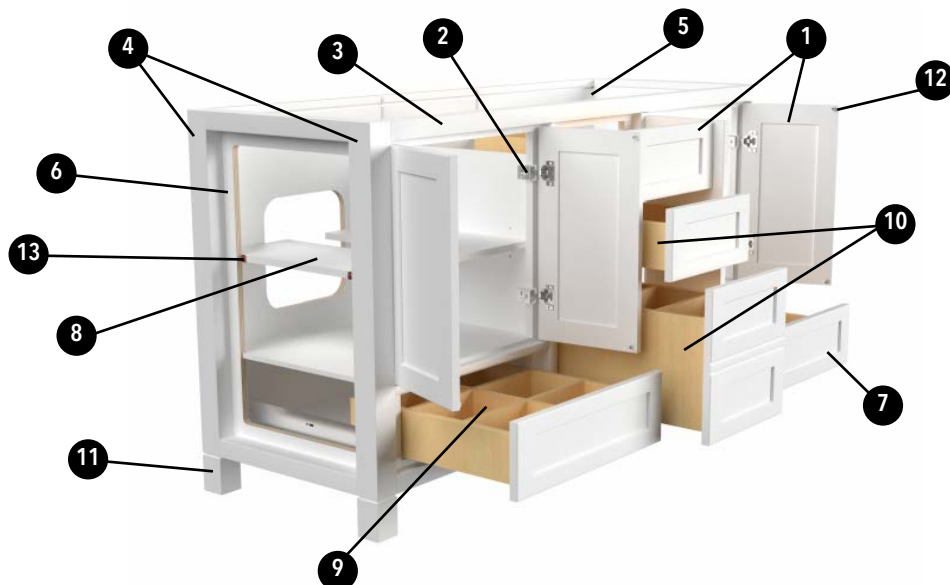
Solid wood stiles and rails jointed with Cutting-Edge Threespine(TM) Click Technology. Frames feature 2 1/4" x 2 1/4" Solid Wood Posts interlocked with a 1 1/2" x 3/4" solid wood frame.

Toe Kick:

Vanity Sink Base cabinets are constructed come with a 2 1/4" x 2 1/4" Square Furniture Feet. Feet come with an adjustable leveling leg that fully retracts into the foot. Vanity cabinets 48" wide and larger come with an additional support leg.

Construction Specifications

- 1 5-pc Solid wood door and drawer front frames with mortise and tenon joinery.
- 2 Compact Clip Hinges with Quick-Release technology. Includes Blumotion soft-close mechanism integrated in six-way adjustable hinges. Hinges open at 110°.
- 3 Doors & Drawers are Framed Inset Overlay
- 4 2¼" x 2¼" Solid Wood Posts interlocked with 1½" x ¾" Solid Wood Frame.
- 5 ½" thick plywood back with matching finished interior.
- 6 Side panels & back panels are integrated into solid wood framing using Cutting-Edge Threespine™ Click Technology.
- 7 ⅝" solid wood dovetail drawer with a ⅜" plywood bottom features BLUM Tandem Full Extension drawer runners featuring Blumotion soft-close.
- 8 Vanity Sink Base cabinets have 17½" deep shelf with cutout for plumbing.
- 9 Bottom Drawer with removable dividers for maximized storage.
- 10 3" interior drawer height. 60" Double Vanity includes extra deep bottom drawer with 9" interior drawer height.
- 11 Square Furniture Feet with adjustable leg levelers.
- 12 Rubber bumpers for door and drawer fronts.
- 13 Adjustable Shelf Clips.



Warranty

COVERAGE OF WARRANTY

Fabuwood Cabinetry Corp. ("Fabuwood") is pleased to provide the following limited warranty to the first residential purchaser on all cabinets sold in the United States and Canada by an authorized Fabuwood dealer. This warranty does not cover cabinets sold or shipped outside of the United States and Canada. A First Residential Purchaser ("First Residential Purchaser") is a person who purchases and installs the cabinets in a dwelling that is owned and used by that person as a primary or secondary home, or, in the case of a developer or builder, this limited warranty may be assigned to the initial purchaser who uses the dwelling as a primary or secondary home. This warranty, however, is not transferable to subsequent owners of the home. This limited warranty is subject to all limitations, exclusions, disclaimers and procedures set forth herein

LIMITED LIFETIME WARRANTY (Only on Allure, Illume, Value Premium, Quest, and Valencia series cabinets): Fabuwood warrants to the First Residential Purchaser that all cabinets purchased from Fabuwood will be free from all unnatural defects in material and workmanship in accordance with Fabuwood's Quality Standards under normal residential use as long as the First Residential Purchaser owns the home in which such cabinets are installed

EXCLUSIONS

THIS WARRANTY SUPERSEDES ANY AND ALL PREVIOUS WARRANTIES BY FABUWOOD AND CONSTITUTES THE EXCLUSIVE REMEDY AGAINST FABUWOOD FOR ALL DEFECTS, DAMAGES AND WORKMANSHIP. THERE ARE NO IMPLIED WARRANTIES EXTENDING BEYOND THE TERMS OF THIS WARRANTY. TO THE MAXIMUM EXTENT PERMITTED BY APPLICABLE LAW, FABUWOOD SHALL NOT BE LIABLE FOR ANY INDIRECT, SPECIAL, PUNITIVE, INCIDENTAL OR CONSEQUENTIAL COSTS, EXPENSES OR DAMAGES (INCLUDING LOST PROFITS), EVEN IF THIS LIMITED LIFETIME WARRANTY IS DEEMED TO HAVE FAILED OF ITS ESSENTIAL PURPOSE. SOME STATES DO NOT ALLOW THE EXCLUSION OR LIMITATION OF INCIDENTAL OR CONSEQUENTIAL DAMAGES, SO THE ABOVE LIMITATION OR EXCLUSION MAY NOT APPLY TO YOU. THIS WARRANTY GIVES YOU SPECIFIC LEGAL RIGHTS, AND YOU MAY ALSO HAVE OTHER RIGHTS, WHICH VARY FROM STATE TO STATE. IT IS POSSIBLE THAT ONE OR MORE OF THE LIMITATIONS AND EXCLUSIONS IN THIS WARRANTY MAY NOT APPLY TO YOU. THE LIMITED LIFETIME WARRANTY ON ALLURE, ILLUME, VALUE PREMIUM, QUEST, AND VALENCIA SERIES CABINETS APPLIES ONLY TO PRODUCTS PURCHASED ON OR AFTER OCTOBER 1, 2024. VALUE PREMIUM & QUEST SERIES CABINETS PURCHASED PRIOR TO OCTOBER 1, 2024, AND ALLURE & ILLUME SERIES CABINETS PURCHASED BEFORE JANUARY 26, 2023, ARE NOT INCLUDED IN THE LIMITED LIFETIME WARRANTY AND ARE SUBJECT TO FABUWOOD'S LIMITED 5-YEAR WARRANTY.

LIMITATIONS

This warranty shall become void if the cabinets, cabinetwork, drawer slides or hinges are modified from its original form, improperly installed or damaged prior to or during the installation, or used in any way other than for residential purposes. This warranty covers only parts and materials of the cabinets as supplied by Fabuwood. This warranty does not cover any products used or installed in connection with cabinets, such as gas or electric appliances, countertops, or plumbing fixtures. It also does not cover Blum hinges or any other third-party manufactured accessories or enhancements

This warranty does not apply to products installed in locations that do not maintain year-round environmental controls. This warranty shall not apply to damages caused by transportation, storage, dirt, chemicals, exposure to moisture, humidity or excessive heat or cold, nor does it cover the effects arising from normal wear and tear, misuse, neglect, accidents, alterations, improper use or failure to maintain properly, house settling, or acts of God. No installer, retailer, distributor, agent or employee of Fabuwood has the authority to alter the obligations or limitations in this warranty

QUALITY STANDARDS

This warranty covers all damages and unnatural defects that are deemed as such under the Fabuwood Quality Standards. The Fabuwood Quality Standards, which will be provided to you by your Fabuwood dealer upon request, should be reviewed at the time a claim for warranty service is being considered. Fabuwood reserves the right to modify or change the Fabuwood Quality Standards at any time without notice

DISCLAIMERS

The following is a brief recap of some of the characteristics of the wood and finishes on the cabinets you are about to purchase. Please read them carefully. If some of these characteristics concern you, please choose something else. We bring these characteristics to your attention so you will realize that Fabuwood will not be held responsible for these variations in your cabinetry.

It is important to note that wood products claimed as defective are most often the result of atmospheric conditions such as excess moisture and humidity. Fabuwood strongly recommends testing the intended location of the products for such conditions prior to installation

WOOD AND COLOR VARIATIONS: Wood is a product of nature, and since no two trees are alike, cabinets may vary in color, texture and grain. Wood characteristics naturally occurring such as variations in color, grain, mineral streaks, pinholes and knots are not considered defects. Color variations in cabinets are also a natural occurrence due to species, age, character of cabinets, and exposure to UV light, smoke, certain household cleaners, sunlight, extreme temperatures, and other environmental conditions. For these reasons, new and/or replacement cabinets may not match display samples and/or existing cabinets. This may result in overall color variations and is not considered a defect

WOOD DOORS, DRAWER FRONTS, AND FACE FRAMES: Wood by nature will undergo expansion and contraction movements over the years as it compensates and adjusts to ever changing atmospheric humidity and temperature conditions. It is very common for center panels on doors to shrink, expand or move during these changes. Typically, the panel will return to its normal position within a year once it has adjusted to seasonal changes. It is for these same reasons that it is very common for doors to warp during these periods. Doors that are warped up to 1/4" are not considered defective. [Note: It is advisable to check if the door was properly installed, since doors that appear warped are very often the result of improper installation.] Painted doors, drawer fronts, and face frames may eventually have visible cracking around the joint areas, and cabinet colors may darken or lighten over time. These variations are considered to be the nature of the material in relation to their environmental exposure and are not covered under this Limited Lifetime Warranty

PAINTED FINISHES: Plywood is a non-porous, smooth grained wood. Additionally, wood by nature undergoes periods of expansion and contraction while it adjusts to atmospheric conditions mentioned above. As such, finish stress lines may become visible on painted cabinets especially at the joints. Any such occurrence is not considered a defect

GLAZED FINISHES: A glazed finish by character is an uneven finish. Some edges and profiles will be larger than others and glazing may vary cabinet to cabinet, door to drawer and item to item. This may result in overall color, texture, and finish variations but these are not considered defects

WARRANTY PERFORMANCE

If a defect does occur within the terms and conditions of this warranty such defective part will be repaired or replaced by Fabuwood at its sole discretion. Fabuwood will not provide or pay for the cost of removal of defective product, transportation of defective, repaired or replaced product or installation of repaired or replaced product. If it is not commercially feasible to repair or replace a defective product, we may refund the original price paid by you for the defective product or provide a credit towards a similar type of product sold by us. Fabuwood will not be responsible for any shipping damages to the defective, replaced or repaired product. If defective item has been discontinued or is not available at the time, Fabuwood reserves the right to replace the item with the most similar item available in Fabuwood's inventory at that time. Fabuwood reserves the right to alter design, specifications and material without obligation to make similar changes to products previously manufactured. Fabuwood cannot guarantee that the finish of any replacement will exactly match the finish and appearance of the defective item due to the natural ageing process of the wood and finishes of the cabinets. Fabuwood may require at its discretion that the customer submit a clear photo, or that a company representative inspect the item being claimed before honoring this warranty

CLAIMS

For a warranty claim made by the First Residential Purchaser to be considered, please contact the original Fabuwood-authorized dealer, who must file the claim through the Fabuwood EZ pricing system. In the event that the original dealer cannot be identified, or they have closed down, the warranty claim must be emailed to customerservice@fabuwood.com. The email should explain 6555-432-201 1+ the issue and include pictures showing the claimed defects. Feel free to call for assistance 1 .ext

NOTE

Please do not send back any items to Fabuwood prior to receiving proper Replacement Material Authorization ("RMA") from Warranty Support. Fabuwood takes no responsibility on any items sent back to Fabuwood without proper RMA

Valencia series cabinets added to the included lines covered :2025 ,17 Last Modified February Change to include :2024 ,1 under the Limited Lifetime Warranty. Previously modified October .Value Premium, and Quest series cabinets under the Limited Lifetime Warranty

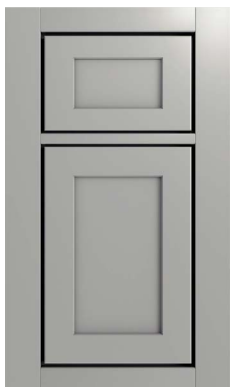
Door Styles



FROST



INDIGO



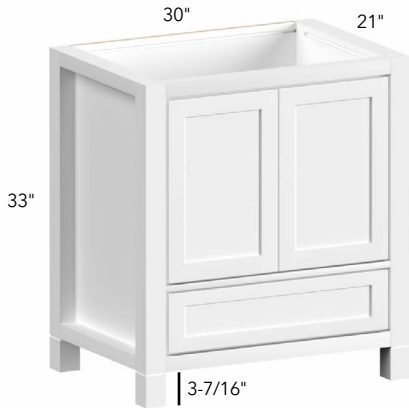
NICKEL

LAVARI

COLOR	FINISH
Frost	Paint
Indigo	Paint
Nickel	Paint

- Framed inset overlay door and drawer
- Stiles and rails are 3/4" thick and 2" wide (reduced rails are 1 1/2" wide)
- Constructed with mortise and tenon joints
- Doors consist of 3/8" thick recessed MDF/veneer center panel
- 5-piece drawer fronts are 1/2" thick recessed MDF/veneer center panel that match door design and detail
- Blum Compact Clip Concealed Hinges with Quick-Release Technology and Blumotion Soft-close
- Tandem plus Blumotion full extension concealed drawer runners

Vanities

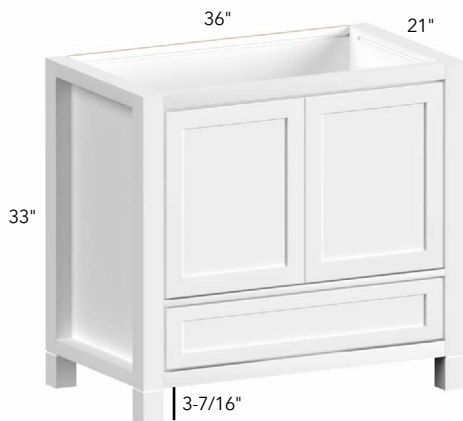


30" VANITY SINK BASE

ITEM

VSLD30

- *Single sink configuration*
- *Features double doors and a single wide drawer*
- *Includes one 17-1/2" deep adjustable shelf with pipe cutout*



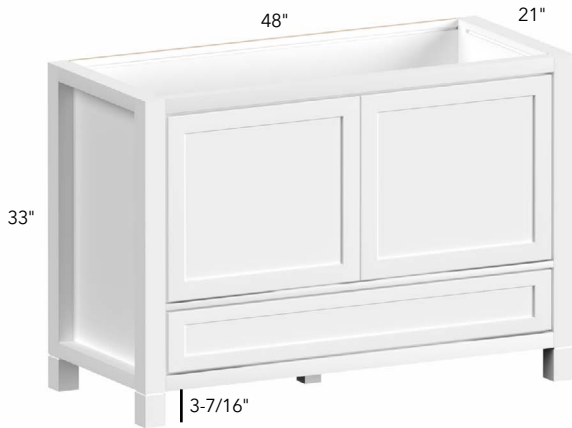
36" VANITY SINK BASE

ITEM

VSLD36

- *Single sink configuration*
- *Features double doors and a single wide drawer*
- *Includes one 17-1/2" deep adjustable shelf with pipe cutout*

Vanities

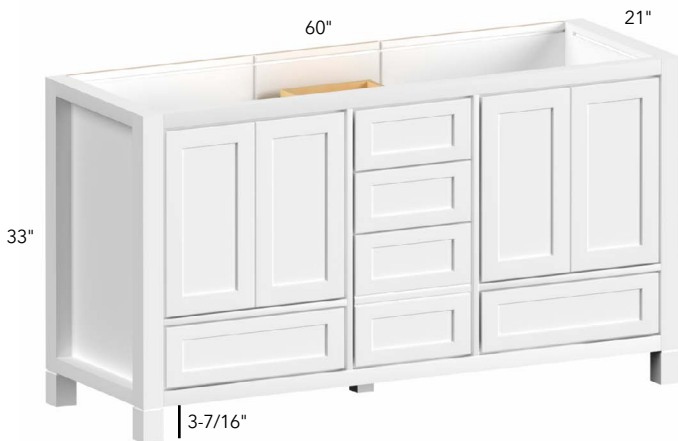


48" VANITY SINK BASE

ITEM

VSLD48

- *Single sink configuration*
- *Features double doors and a single wide drawer*
- *Includes one 17-1/2" deep adjustable shelf with pipe cutout*
- *Additional center furniture foot for extra support*



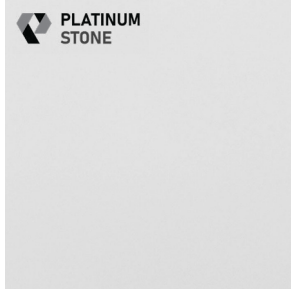
60" VANITY DOUBLE SINK BASE

ITEM

VSLD60DOUBLE

- *Double sink configuration*
- *Features:*
 - » *Two sets of double doors*
 - » *Two wide drawers with removable divider inserts*
 - » *Three middle drawers (bottom drawer is extra deep, with two attached drawer fronts and removable divider inserts)*
- *Includes two 17-1/2" deep adjustable shelves with pipe cutout*
- *Additional center furniture foot for extra support*

Vanity Accessories



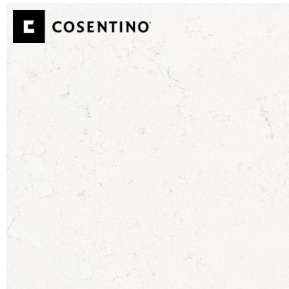
CLOUD



MOONSTONE



DESERT SILVER



MIAMI VENA

VANITY TOPS

ITEM
VT24 CLOUD
VT24 MOONSTONE
VT24 DESERT SILVER
VT24 MIAMI VENA
VT30 CLOUD
VT30 MOONSTONE
VT30 DESERT SILVER
VT30 MIAMI VENA
VT36 CLOUD
VT36 MOONSTONE
VT36 DESERT SILVER
VT36 MIAMI VENA
VT42 CLOUD
VT42 MOONSTONE
VT42 DESERT SILVER
VT42 MIAMI VENA
VT48 CLOUD
VT48 MOONSTONE
VT48 DESERT SILVER
VT48 MIAMI VENA
VT60 DOUBLE CLOUD
VT60 DOUBLE MOONSTONE
VT60 SINGLE DESERT SILVER
VT60 SINGLE MIAMI VENA
VT60 SINGLE CLOUD
VT60 SINGLE MOONSTONE
VT60 DOUBLE DESERT SILVER
VT60 DOUBLE MIAMI VENA

- Includes vanity counter top, 4" backsplash, integrated rectangular sink
- Predrilled with 1-3/8" faucet hole for easy installation
- Counter Top Dimensions
 - VT24: 25"W x 22"D
 - VT30: 21"W x 22"D
 - VT36: 27"W x 22"D
 - VT42: 43"W x 22"D
 - VT48: 49"W x 22"D
 - VT60: 61"W x 22"D
- Sink Bowl Dimensions:
 - Cloud & Moonstone: 16-1/8"W x 11"D (VT60 Double: 16-1/8"W x 11"D)
 - Desert Silver & Miami Vena: 17"W x 11-13/16"D (VT60 Double: 16"W x 11-1/2"D)

Copyright © 2026 by Fabuwood Cabinetry Corp.

All rights reserved.

No part of this publication may be reproduced, distributed, or transmitted in any form or by any means, including photocopying, scanning, or other electronic or mechanical methods, including online sharing, without the prior written permission of Fabuwood Cabinetry Corp.

