



## **Value Premium**

Specifications Guide / Valid until April 2026

**Please Note:** Items are subject to change without prior notice. This spec book is missing some updated information, so to stay up to date with product specifications and modification options please use our digital spec book which can be found at <https://ezpricing.fabuwood.com/specbook>

## New! Interactive Index

<a href="#">Specbook Updates</a>	<a href="#">III</a>	<a href="#">Wall Accessories</a>	<a href="#">39</a>
<a href="#">Construction Specifications</a>	<a href="#">IV</a>	<a href="#">Sink Accessories</a>	<a href="#">41</a>
<a href="#">Limited 5-Year Warranty</a>	<a href="#">VI</a>	<a href="#">Drawer Accessories</a>	<a href="#">42</a>
<a href="#">Door Style</a>	<a href="#">VII</a>	<a href="#">Vanity Accessories</a>	<a href="#">44</a>
<a href="#">Sales Tools</a>	<a href="#">VIII</a>		
<b><a href="#">Wall Cabinets</a></b>	<b><a href="#">11</a></b>	<b><a href="#">Cabinet Accessories</a></b>	<b><a href="#">46</a></b>
<a href="#">12"- 18" High Wall Cabinets</a>	<a href="#">11</a>	<a href="#">Fillers</a>	<a href="#">46</a>
<a href="#">15"- 24" High &amp; 24" Deep Wall Cabinets</a>	<a href="#">12</a>	<a href="#">Valances</a>	<a href="#">47</a>
<a href="#">30" High Wall Cabinets</a>	<a href="#">13</a>	<a href="#">Posts &amp; Pilasters</a>	<a href="#">48</a>
<a href="#">36" High Wall Cabinets</a>	<a href="#">16</a>	<a href="#">Moldings (8')</a>	<a href="#">50</a>
<a href="#">42" High Wall Cabinets</a>	<a href="#">18</a>	<a href="#">Panels</a>	<a href="#">51</a>
<a href="#">Specialty Wall Cabinets</a>	<a href="#">20</a>	<a href="#">Paint &amp; Touch Up Kits</a>	<a href="#">53</a>
<b><a href="#">Base Cabinets</a></b>	<b><a href="#">22</a></b>	<b><a href="#">Hafele Lighting</a></b>	<b><a href="#">54</a></b>
<a href="#">Base Cabinets</a>	<a href="#">22</a>	<a href="#">Under-Cabinet Lighting</a>	<a href="#">54</a>
<b><a href="#">Tall Cabinets</a></b>	<b><a href="#">26</a></b>	<b><a href="#">Modifications</a></b>	<b><a href="#">58</a></b>
<a href="#">Tall Pantry Cabinets</a>	<a href="#">26</a>	<a href="#">Cut Modifications</a>	<a href="#">59</a>
<a href="#">Oven Cabinets</a>	<a href="#">27</a>	<a href="#">Pipe Chase</a>	<a href="#">62</a>
<b><a href="#">Vanity Cabinets</a></b>	<b><a href="#">30</a></b>	<a href="#">Create Columns &amp; Returns</a>	<a href="#">64</a>
<a href="#">Vanities</a>	<a href="#">30</a>	<a href="#">Custom Doors</a>	<a href="#">66</a>
<b><a href="#">Storage Accessories</a></b>	<b><a href="#">34</a></b>	<a href="#">Customizations</a>	<a href="#">67</a>
<a href="#">Waste Solutions</a>	<a href="#">34</a>	<a href="#">Modifications</a>	<a href="#">69</a>
<a href="#">Base Accessories</a>	<a href="#">35</a>	<a href="#">Upgrades</a>	<a href="#">72</a>
<a href="#">Base &amp; Wall Accessories</a>	<a href="#">38</a>	<a href="#">Loose Parts</a>	<a href="#">73</a>
		<b><a href="#">Height Alignment Guide</a></b>	<b><a href="#">75</a></b>

---

## Specbook Updates

- **New! Sales Tools:**

- » SDXX-3 Medium Sample Doors with Drawer Front [pg. VIII](#)
- » Padded Sample Door Bag [pg. X](#)

- **New! Modification:**

- » EDGE BAND: Apply edge band on selected side of panel [pg. 62](#)

- **Height Alignment Guide** [pg. 70](#)

## Construction Specifications

### Doors and Drawer Fronts:

Doors, drawer fronts, rails, and center panels are made with full HDF construction to reduce the possibility of shrinkage.

The 5 piece Hallmark modified full overlay door has a 1/2" thick HDF center panel captured in a 3/4" x 2 1/4" HDF frame and is complimented with a 5 piece recessed panel drawer front. The overlay on top of all wall cabinets has been modified to accept a crown moulding.

### Hinges:

Compact Blumotion soft close hinges (Blum model #39C355B.20).

### Drawers:

5/8" thick solid wood dovetail drawer box with a 3/8" plywood bottom attached to Tandem plus Blumotion concealed drawer runners (Blum model #563H)

### Shelving:

15mm (5/8") thick select veneered wood with matching wood edge-banding is used on all wall and base cabinetry where applicable. The adjustable shelves are supported by plastic self locking shelf clip.

### Cabinet Sides, Backs, Tops and Bottoms:

1/2" thick veneered plywood sides and back with natural finished interiors grooved to face frame. The backs are stapled and screwed into place for additional support. Top & Bottom panels are 3/4" thick veneered plywood and grooved into to the side & back panels.

### Face Frame:

3/4" x 1 1/2" solid wood stiles and rails jointed with glue and dowels. Back of face frames are grooved to accept side panels. The Hallmark face frame is engineered so that the bottom of all base and wall cabinets are flushed with the top inside edge of the face frame creating a custom look.

### Toe Kick:

3/4" x 4 1/2" select unfinished plywood\* toe kick is added to each assembled cabinet. Additional 1/4" 8-foot lengths of toe kicks are available in matching colors to our cabinetry.

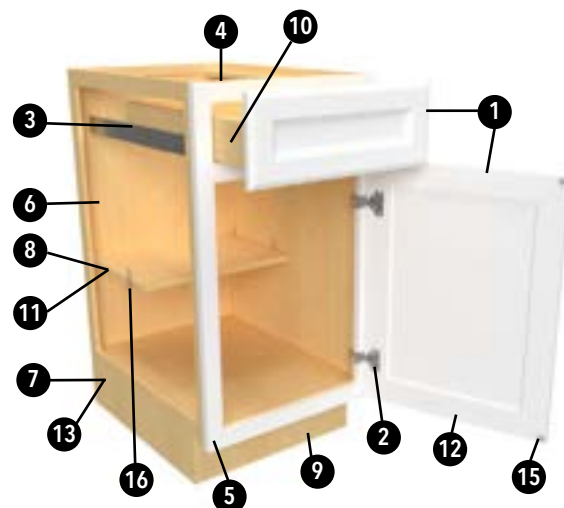
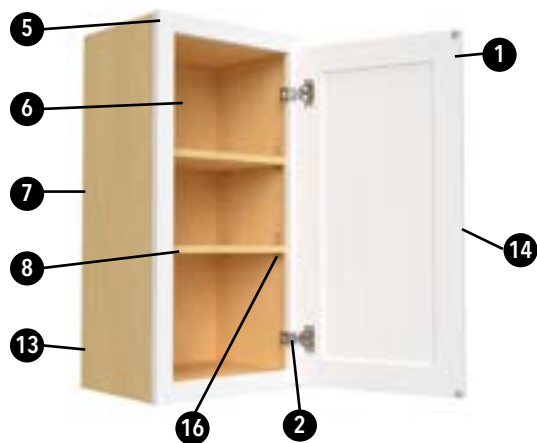
### Panel Beams:

2 1/2" x 1/2" plywood\* panel beam is fastened into a dovetail groove at the top of each base cabinet to ensure a straight fully integrated side, and for use of support and mounting of a countertop.

*\* May come in finish other than natural ply, this does not denigrate the quality of material or structure of the cabinet.*

## Construction Specifications

- 1 Full HDF construction for door and drawer front stiles and rails are constructed with mortise and tenon joints.
- 2 Compact Blumotion soft-close mechanism integrated in concealed six-way adjustable hinges. Hinges open at 110°
- 3 5/8" solid wood dovetail drawer with a 3/8" plywood bottom features Tandem plus Blumotion full-extension concealed drawer runners
- 4 2 1/2" interior drawer height.
- 5 3/4" x 1 1/2" solid wood face frame.
- 6 1/2" select veneered plywood back with a natural finished interior.
- 7 1/2" select unfinished plywood side panels grooved into face frame.
- 8 15mm (5/8") select veneered plywood adjustable shelving with matching wood veneer edge banding.
- 9 3/4" x 4 1/2" unfinished plywood toe kick attached to cabinet. Matching 1/4" toe kick cover to be ordered separately.
- 10 2 1/2" x 1/2" plywood\* panel beams dovetailed into the side panels for strength and stability.
- 11 Base cabinet has 11 7/8" deep shelf.
- 12 Base has a full overlay door.
- 13 When placing an order, need to select exposed sides; Right, Left or Both.  
A 1/4" select medium-density fiberboard panel will be applied to the selected side(s), and the side will be near flush finished.
- 14 Wall cabinet has a modified overlay door. Crown can be mounted on the face frame.
- 15 Rubber bumpers for door and drawer fronts.
- 16 Adjustable shelf clips.



\* May come in finish other than natural ply, this does not denigrate the quality of material or structure of the cabinet.

## Limited 5-Year Warranty

### COVERAGE OF WARRANTY

Fabuwood Cabinetry Corp. ("Fabuwood") is pleased to provide the following limited warranty to the first residential purchaser on all cabinets sold in the United States and Canada by an authorized Fabuwood dealer. This warranty does not cover cabinets sold or shipped outside of the United States and Canada. A First Residential Purchaser ("First Residential Purchaser") is a person who purchases and installs the cabinets in a dwelling that is owned and used by that person as a primary or secondary home, or, in the case of a developer or builder, this limited warranty may be assigned to the initial purchaser who uses the dwelling as a primary or secondary home. This warranty, however, is not transferable to subsequent owners of the home. This limited warranty is subject to all limitations, exclusions, disclaimers and procedures set forth herein.

**LIMITED LIFETIME WARRANTY** (Only on Allure, Illume, Value Premium, and Quest series cabinets): Fabuwood warrants to the First Residential Purchaser that all cabinets purchased from Fabuwood will be free from all unnatural defects in material and workmanship in accordance with Fabuwood's Quality Standards under normal residential use as long as the First Residential Purchaser owns the home in which such cabinets are installed.

### EXCLUSIONS

THIS WARRANTY SUPERSEDES ANY AND ALL PREVIOUS WARRANTIES BY FABUWOOD AND CONSTITUTES THE EXCLUSIVE REMEDY AGAINST FABUWOOD FOR ALL DEFECTS, DAMAGES AND WORKMANSHIP. THERE ARE NO IMPLIED WARRANTIES EXTENDING BEYOND THE TERMS OF THIS WARRANTY. TO THE MAXIMUM EXTENT PERMITTED BY APPLICABLE LAW, FABUWOOD SHALL NOT BE LIABLE FOR ANY INDIRECT, SPECIAL, PUNITIVE, INCIDENTAL OR CONSEQUENTIAL COSTS, EXPENSES OR DAMAGES (INCLUDING LOST PROFITS), EVEN IF THIS LIMITED LIFETIME WARRANTY IS DEEMED TO HAVE FAILED OF ITS ESSENTIAL PURPOSE. SOME STATES DO NOT ALLOW THE EXCLUSION OR LIMITATION OF INCIDENTAL OR CONSEQUENTIAL DAMAGES, SO THE ABOVE LIMITATION OR EXCLUSION MAY NOT APPLY TO YOU. THIS WARRANTY GIVES YOU SPECIFIC LEGAL RIGHTS, AND YOU MAY ALSO HAVE OTHER RIGHTS, WHICH VARY FROM STATE TO STATE. IT IS POSSIBLE THAT ONE OR MORE OF THE LIMITATIONS AND EXCLUSIONS IN THIS WARRANTY MAY NOT APPLY TO YOU. THE LIMITED LIFETIME WARRANTY ON ALLURE, ILLUME, VALUE PREMIUM AND QUEST SERIES CABINETS APPLIES ONLY TO PRODUCTS PURCHASED ON OR AFTER OCTOBER 1, 2024. VALUE PREMIUM & QUEST SERIES CABINETS PURCHASED PRIOR TO OCTOBER 1, 2024, AND ALLURE & ILLUME SERIES CABINETS PURCHASED BEFORE JANUARY 26, 2023, ARE NOT INCLUDED IN THE LIMITED LIFETIME WARRANTY AND ARE SUBJECT TO FABUWOOD'S LIMITED 5-YEAR WARRANTY.

### LIMITATIONS

This warranty shall become void if the cabinets, cabinetwork, drawer slides or hinges are modified from its original form, improperly installed or damaged prior to or during the installation, or used in any way other than for residential purposes. This warranty covers only parts and materials of the cabinets as supplied by Fabuwood. This warranty does not cover any products used or installed in connection with cabinets, such as gas or electric appliances, countertops, or plumbing fixtures. It also does not cover Blum hinges or any other third-party manufactured accessories or enhancements.

This warranty does not apply to products installed in locations that do not maintain year-round environmental controls. This warranty shall not apply to damages caused by transportation, storage, dirt, chemicals, exposure to moisture, humidity or excessive heat or cold, nor does it cover the effects arising from normal wear and tear, misuse, neglect, accidents, alterations, improper use or failure to maintain properly, house settling, or acts of God. No installer, retailer, distributor, agent or employee of Fabuwood has the authority to alter the obligations or limitations in this warranty.

### QUALITY STANDARDS

This warranty covers all damages and unnatural defects that are deemed as such under the Fabuwood Quality Standards. The Fabuwood Quality Standards, which will be provided to you by your Fabuwood dealer upon request, should be reviewed at the time a claim for warranty service is being considered. Fabuwood reserves the right to modify or change the Fabuwood Quality Standards at any time without notice.

### DISCLAIMERS

The following is a brief recap of some of the characteristics of the wood and finishes on the cabinets you are about to purchase. Please read them carefully. If some of these characteristics concern you, please choose something else. We bring these characteristics to your attention so you will realize that Fabuwood will not be held responsible for these variations in your cabinetry. It is important to note that wood products claimed as defective are most often the result of

atmospheric conditions such as excess moisture and humidity. Fabuwood strongly recommends testing the intended location of the products for such conditions prior to installation.

**WOOD AND COLOR VARIATIONS:** Wood is a product of nature, and since no two trees are alike, cabinets may vary in color, texture and grain. Wood characteristics naturally occurring such as variations in color, grain, mineral streaks, pinholes and knots are not considered defects. Color variations in cabinets are also a natural occurrence due to species, age, character of cabinets, and exposure to UV light, smoke, certain household cleaners, sunlight, extreme temperatures, and other environmental conditions. For these reasons, new and/or replacement cabinets may not match display samples and/or existing cabinets. This may result in overall color variations and is not considered a defect.

**WOOD DOORS, DRAWER FRONTS, AND FACE FRAMES:** Wood by nature will undergo expansion and contraction movements over the years as it compensates and adjusts to ever changing atmospheric humidity and temperature conditions. It is very common for center panels on doors to shrink, expand or move during these changes. Typically, the panel will return to its normal position within a year once it has adjusted to seasonal changes. It is for these same reasons that it is very common for doors to warp during these periods. Doors that are warped up to ¼" are not considered defective. [Note: It is advisable to check if the door was properly installed, since doors that appear warped are very often the result of improper installation.] Painted doors, drawer fronts, and face frames may eventually have visible cracking around the joint areas, and cabinet colors may darken or lighten over time. These variations are considered to be the nature of the material in relation to their environmental exposure and are not covered under this Limited Lifetime Warranty.

**PAINTED FINISHES:** Plywood is a non-porous, smooth grained wood. Additionally, wood by nature undergoes periods of expansion and contraction while it adjusts to atmospheric conditions mentioned above. As such, finish stress lines may become visible on painted cabinets especially at the joints. Any such occurrence is not considered a defect.

**GLAZED FINISHES:** A glazed finish by character is an uneven finish. Some edges and profiles will be larger than others and glazing may vary cabinet to cabinet, door to drawer and item to item. This may result in overall color, texture, and finish variations but these are not considered defects.

### WARRANTY PERFORMANCE

If a defect does occur within the terms and conditions of this warranty such defective part will be repaired or replaced by Fabuwood at its sole discretion. Fabuwood will not provide or pay for the cost of removal of defective product, transportation of defective, repaired or replaced product or installation of repaired or replaced product. If it is not commercially feasible to repair or replace a defective product, we may refund the original price paid by you for the defective product or provide a credit towards a similar type of product sold by us. Fabuwood will not be responsible for any shipping damages to the defective, replaced or repaired product. If defective item has been discontinued or is not available at the time, Fabuwood reserves the right to replace the item with the most similar item available in Fabuwood's inventory at that time. Fabuwood reserves the right to alter design, specifications and material without obligation to make similar changes to products previously manufactured. Fabuwood cannot guarantee that the finish of any replacement will exactly match the finish and appearance of the defective item due to the natural ageing process of the wood and finishes of the cabinets. Fabuwood may require at its discretion that the customer submit a clear photo, or that a company representative inspect the item being claimed before honoring this warranty.

### CLAIMS

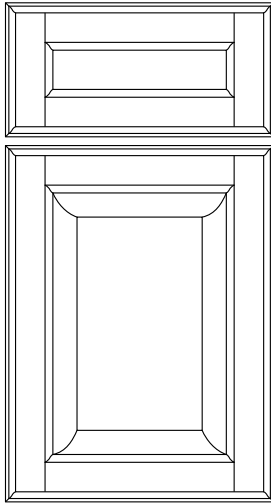
For a warranty claim made by the First Residential Purchaser to be considered, please contact the original Fabuwood-authorized dealer, who must file the claim through the Fabuwood EZ pricing system. In the event that the original dealer cannot be identified, or they have closed down, the warranty claim must be emailed to [customerservice@fabuwood.com](mailto:customerservice@fabuwood.com). The email should explain the issue and include pictures showing the claimed defects. Feel free to call +1 201-432-6555 ext. 1 for assistance.

### NOTE

Please do not send back any items to Fabuwood prior to receiving proper Replacement Material Authorization ("RMA") from Warranty Support. Fabuwood takes no responsibility on any items sent back to Fabuwood without proper RMA.

Last Modified October 1, 2024: Change to include Value Premium, and Quest series cabinets under the Limited Lifetime Warranty. Previously Modified January 26, 2023: Change of the warranty on Allure and Illume series cabinets from a Limited 5-year Warranty to the Limited Lifetime Warranty.

## Door Style

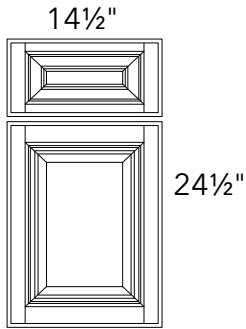


### HALLMARK

COLOR	FINISH
Frost	Paint

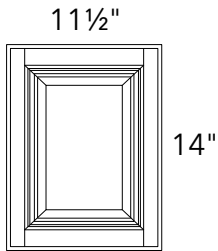
- Full overlay door with modified overlay on wall cabinets.
- Stiles and rails are HDF ¾" thick and 2¼" wide.
- Constructed with mortise and tenon joints.
- ½" thick HDF raised center panel.
- 5-piece recessed panel drawer front matches door design.
- Compact Blumotion Soft Close Hinges (Blum Model #39C.355B.20)
- Tandem Plus Blumotion Concealed Drawer Runners (Blum Model #563H)

*Pricing Note: Sales Tools are NET pricing; virtual multiplier applies to these items. Final price listed on Quote/Order will reflect the virtual multiplier.*



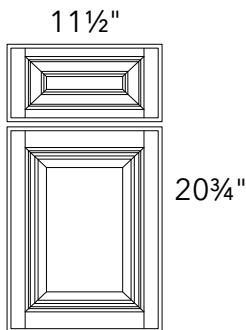
**DOOR SAMPLES WITH DRAWER FRONT**

ITEM	DESCRIPTION
SDHF	HALLMARK FROST



**SMALL DOOR SAMPLES**

ITEM	DESCRIPTION
SDHF-2	HALLMARK FROST



**MEDIUM DOOR SAMPLES WITH DRAWER FRONT**

ITEM	DESCRIPTION
SDHF-3	HALLMARK FROST

*Pricing Note: Sales Tools are NET pricing; virtual multiplier applies to these items. Final price listed on Quote/Order will reflect the virtual multiplier.*

## Sales Tools



### STYLE GUIDE

ITEM	DESCRIPTION
SGB26	STYLE GUIDE BROCHURE 2026 (25PK)

- 104 pages, 8" x 8"
- *Fabuwood's Style Guide showcases an extensive range of customizations and design possibilities. Featuring hoods, vanities, door styles, color collections, and more, it offers everything needed to create unique and personalized spaces*



### ACCESSORY BROCHURE

ITEM	DESCRIPTION
ACCESSORY BROCHURE	ACCESSORY BROCHURE (PACK OF 25)

- 52 pages, 8-1/2" x 11"
- *Fabuwood's Accessory Brochure showcases a variety of stylish and practical add-ons, from organization features to innovative storage solutions, providing the finishing touches that enhance both the beauty and functionality of your cabinetry.*



### CUSTOMIZATION BROCHURE

ITEM	DESCRIPTION
CUSTOMIZATION BROCHURE	CUSTOMIZATION BROCHURE (PACK OF 25)

- 56 pages, 8-1/2" x 11"
- *Fabuwood's Customization Brochure highlights a variety of modification options, enabling you to adjust every detail of your cabinetry.*

*Pricing Note: Sales Tools are NET pricing; virtual multiplier applies to these items. Final price listed on Quote/Order will reflect the virtual multiplier.*

## Sales Tools



### SELLING STUDIO

ITEM	DESCRIPTION
DEALER SELLING STUDIO	FABUWOOD SELLING STUDIO

*Fabuwood Selling Studio Display includes:*

- Interactive Touch Monitor
- 32 Medium-Size Sample Doors
- 18 Mini Sample Doors
- Molding Chains in Allure & Quest
- Color Block Sets for Signature, Designer Collection & Illume
- Style Guide Brochures (Pack of 25)
- Wall and Base Mini Cabinets in Illume and Allure Constructions
- Fabuwood Logo Windows
- Remote Control Operated Lift-Up Top Door
- Storage Drawer

*Custom Base Cabinets:*

- (1) 18" Drawer Base Cabinet with a modified depth of 18"
- (2) 18" Base Cabinet with a modified depth of 18"



### SAMPLE DOOR BAG

ITEM	DESCRIPTION
SAMPLE DOOR BAG	PADDED SAMPLE DOOR BAG

- Accommodates 4 large sample doors

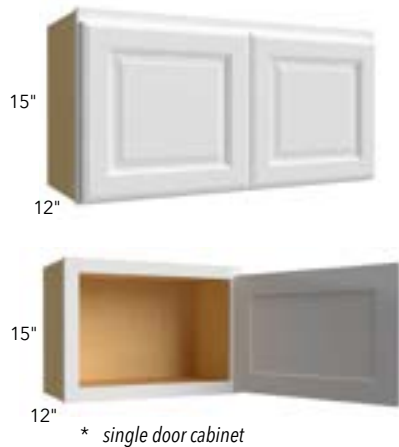
*Pricing Note: Sales Tools are NET pricing; virtual multiplier applies to these items. Final price listed on Quote/Order will reflect the virtual multiplier.*

## 12"-18" High Wall Cabinets



### 12" HIGH

ITEM
W3012
W3612



### 15" HIGH

ITEM
W2115*
W2415
W3015
W3315
W3615

\* One door only

\* single door cabinet



### 18" HIGH

ITEM
W2118*
W2418
W3018
W3318
W3618

\* One door only

## 15" - 24" High & 24" Deep Wall Cabinets



### 24" HIGH

ITEM
W2424
W3024
W3324
W3624



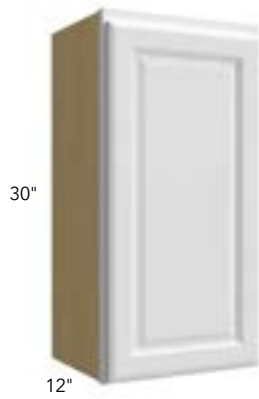
### 24" DEEP

ITEM
W301524
W331524
W361524
W301824
W331824
W361824
W302424*
W332424*
W362424*



\* Has 1 shelf

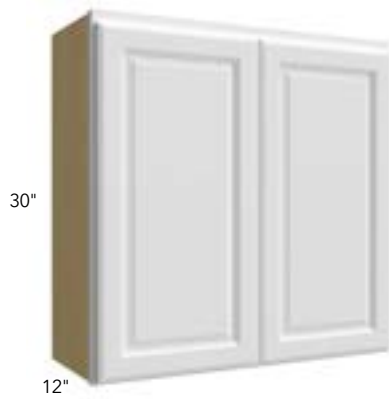
## 30" High Wall Cabinets



### 30" HIGH

ITEM
W0930
W1230
W1530
W1830
W2130

- Peninsula cabinet modification [pg. 64](#)



### 30" HIGH

ITEM
W2430
W2730
W3030
W3330
W3630

- Peninsula cabinet modification [pg. 64](#)

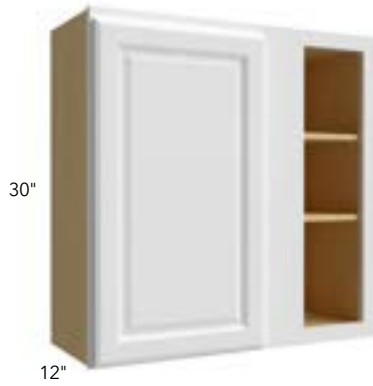


### 30" HIGH

ITEM
W3930
W4230

- 1½" center stile
- Peninsula cabinet modification [pg. 64](#)

## 30" High Wall Cabinets



### 30" SINGLE DOOR BLIND

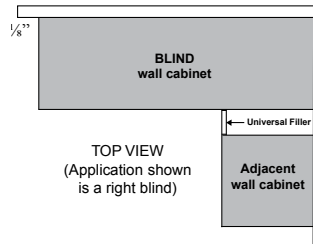
**ITEM**

WBC2430

WBC3030

WBC3630

- Must use filler on adjacent side (not supplied)
- Measurements are rounded off to closest 1/8"



	Act.	Max	Door	Stile	Open (door side)
WBC2430	24"	27"	10 5/8"	6"	7 3/4"
WBC3030	30"	33"	16 3/8"	6"	13 3/4"
WBC3630	36"	39"	22 3/8"	6"	19 3/4"

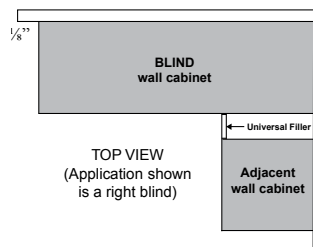


### 30" DOUBLE DOOR BLIND

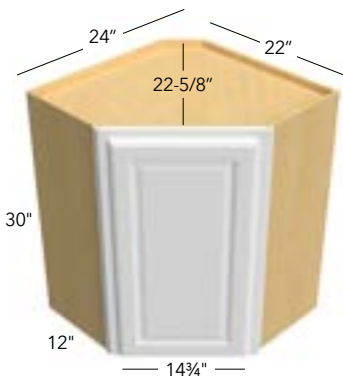
**ITEM**

WBC4230

- Must use filler on adjacent side (not supplied)
- Measurements are rounded off to closest 1/8"



	Act.	Max	Door	Stile	Open (door side)
WBC4230	42"	45"	14 1/8"	6"	25 1/8"



### 30" DIAGONAL CORNER

**ITEM**

WDC2430

- Uses 3/8" overlay hinge
- For Lazy Susan see accessories on pg. 22

## 30" High Wall Cabinets

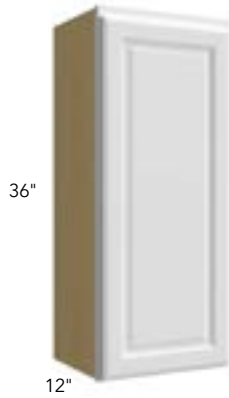


### 30" GLASS DOOR

ITEM
DS GD1230
DS GD1530
DS GD1830
DS GD2430
DS GD3030
DS GD3630
DS GDD2430

- \* 14¾" wide for WDC2430 only
- Door Set SKUs will include the necessary quantity of doors for the cabinet
- Glass doors are pre-installed with clear glass only

## 36" High Wall Cabinets



### 36" HIGH

ITEM
W0936
W1236
W1536
W1836
W2136

- Peninsula cabinet modification [pg. 64](#)



### 36" HIGH

ITEM
W2436
W2736
W3036
W3336
W3636

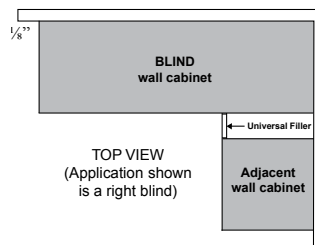
- Peninsula cabinet modification [pg. 64](#)



### 36" SINGLE DOOR BLIND

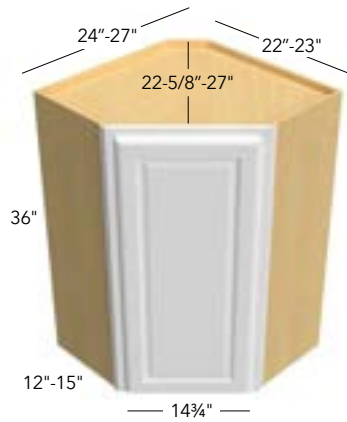
ITEM
WBC2436
WBC3636

- Must use filler on adjacent side (not supplied)
- Measurements are rounded off to closest 1/8"



	Act.	Max	Door	Stile	Open (door side)
WBC2436	24"	27"	10 3/8"	6"	7 3/4"
WBC3636	36"	39"	22 3/8"	6"	19 3/4"

## 36" High Wall Cabinets



### 36" DIAGONAL CORNER

#### ITEM

WDC2436

WDC2736\*

- \* Cabinet exposed sides come pre-finished with near-flush finished ends.
- Uses 3/6" overlay hinge
- Lazy Susan [pg. 37](#)

### 36" GLASS DOOR

#### ITEM

DS GD1236

DS GD1536

DS GD1836

DS GD2436

DS GD3036

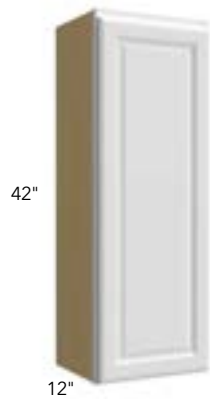
DS GD3636

DS GDD2436

- \* 14 3/4" wide for WDC2436 & WDC2736
- Door Set SKUs will include the necessary quantity of doors for the cabinet
- Glass doors are pre-installed with clear glass only



## 42" High Wall Cabinets



### 42" HIGH

ITEM
W0942
W1242
W1542
W1842
W2142

- Peninsula cabinet modification [pg. 64](#)



### 42" HIGH

ITEM
W2442
W2742
W3042
W3342
W3642

- Peninsula cabinet modification [pg. 64](#)



### 42" HIGH

ITEM
W3942

- 1½" center stile
- Peninsula cabinet modification [pg. 64](#)

## 42" High Wall Cabinets



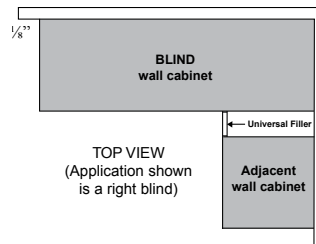
### 42" SINGLE DOOR BLIND

**ITEM**

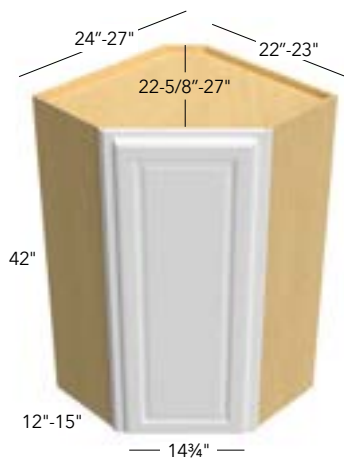
WBC2442

WBC3642

- Must use filler on adjacent side (not supplied)
- Measurements are rounded off to closest 1/8"



	Act.	Max	Door	Stile	Open (door side)
WBC2442	24"	27"	10 3/8"	6"	7 3/4"
WBC3642	36"	39"	22 3/8"	6"	19 3/4"



### 42" DIAGONAL CORNER

**ITEM**

WDC2442

WDC2742\*

- \* Cabinet exposed sides come pre-finished with near-flush finished ends.
- Uses 3/8" overlay hinge
- Lazy Susan [pg. 37](#)

### 42" GLASS DOOR

**ITEM**

DS GD1242

DS GD1542

DS GD1842

DS GD2442

DS GD3042

DS GD3642

DS GDD2442

- \* 14 3/4" wide for WDC2442 & WDC2742
- Door Set SKUs will include the necessary quantity of doors for the cabinet
- Glass doors are pre-installed with clear glass only



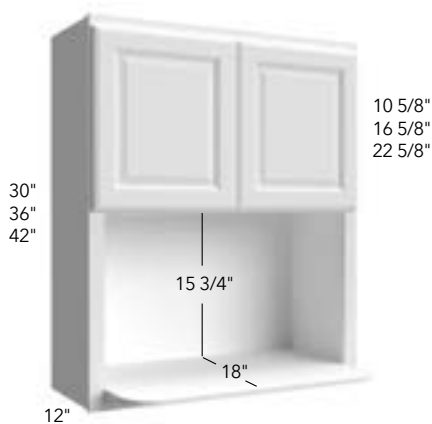
## Specialty Wall Cabinets



### DOOR PREPPED FOR GLASS

ITEM
DS DFG1530
DS DFG1536
DS DFG1542
DS DFG1830
DS DFG1836
DS DFG1842
DS DFG2430
DS DFG2436
DS DFG2442
DS DFG3030
DS DFG3036
DS DFG3042
DS DFG3630
DS DFG3636
DS DFG3642
DS DFGD2430
DS DFGD2436
DS DFGD2442

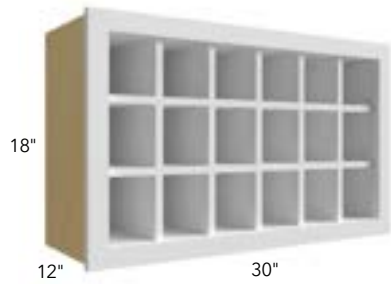
- Door Set SKUs will include the necessary quantity of doors for the cabinet
- Glass not included
- Comes with the center panel removed; vinyl gasket is included for easy installation of glass in the field.



### MICROWAVE

ITEM
MW3030
MW3036
MW3042

## Specialty Wall Cabinets



**NOTE: DESIGN CHANGE**

### WINE RACK

**ITEM**

WR3018

- Finished interior
- 1-½" Framed cabinet construction
- Exterior has 3/4" recess from face frame (all around)
- Interior has 1/4" recess from face frame (all around)
- Fits 18 bottles

12" 6"



12"



**OEL6 SHOWN  
(OPENS TO LEFT SIDE)**

### OPEN END

**ITEM**

OEL630

OEL636

OEL642\*

OER630

OER636

OER642\*

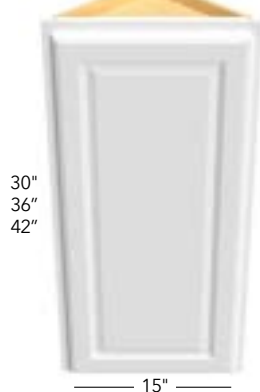
OE1230

OE1236

OE1242\*

\* Has three shelves

12" 12"



### ANGLE END

**ITEM**

WAE1230

WAE1236\*

WAE1242\*

- Can use glass door from a Diagonal Corner Wall cabinet - will require a 1" overlay hinge
- Adjustable shelves
- \* Has three shelves

## Base Cabinets



### SINGLE DOOR

#### ITEM

B09

B12

B15

B18

B21

- *B09 accessories* [pg. 37](#)
- *Peninsula cabinet modification* [pg. 64](#)
- *Roll Outs* [pg. 33](#)



### DOUBLE DOOR

#### ITEM

B24

B27

B30

- *Peninsula cabinet modification* [pg. 64](#)
- *Roll Outs* [pg. 33](#)



### DOUBLE DOOR & DRAWER

#### ITEM

B33

B36

B39\*

B42\*

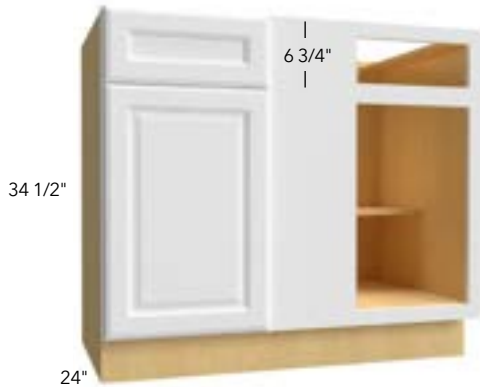
- \* *Has 3" center stile*
- *Roll Outs* [pg. 33](#)

## Base Cabinets



### DRAWER

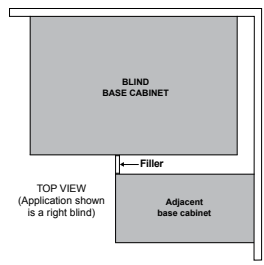
ITEM
DB12
DB15
DB18
DB24
DB30
DB36



### BLIND

ITEM
BLB36/39
BLB42/45
BLB48/51

- Must use filler on adjacent side (not supplied)
- Measurements are rounded off to closest 1/8"



	Act.	Min.	Max	Door	Stile	Open
BLB36/39	27"	36"	41½"	10½"	8"	8"
BLB42/45	39"	42"	47¼"	15¼"	10½"	12 ¾"
BLB48/51	48"	48"	52"	21¼"	7½"	18 ¾"

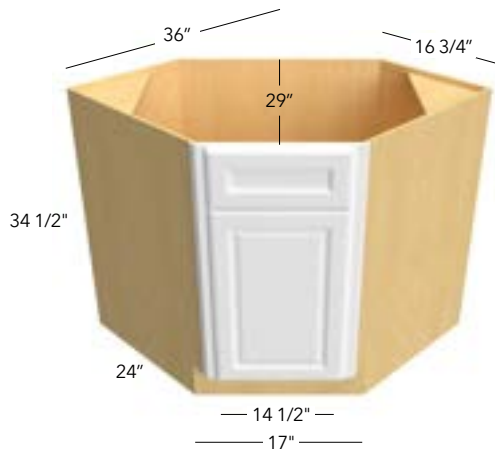


### DIAGONAL SINK FRONT

ITEM
DSF36*
DSFL36**

- Uses 3/8" overlay hinge
- Tilt Out [pg. 38](#)
- \* DSF36 The sink front has a 17" face dimension.
- \*\* DSFL36 The floor must be ordered separately

## Base Cabinets

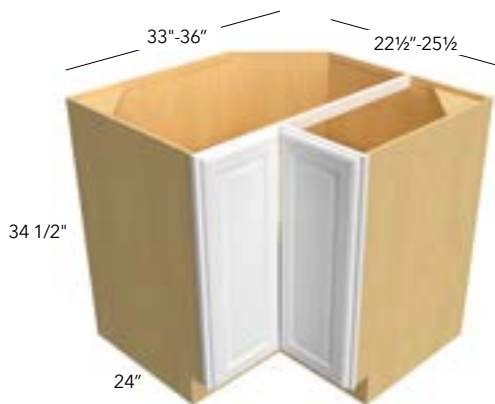


### DIAGONAL SINK

#### ITEM

DSB36

- Uses  $\frac{3}{8}$ " overlay hinge
- Tilt Out [pg. 38](#)



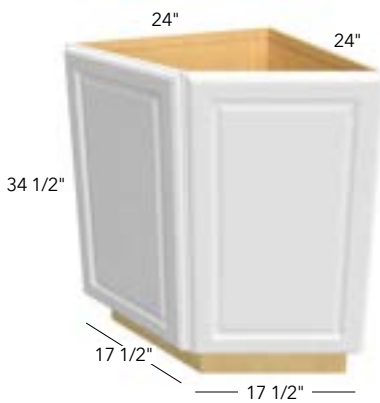
### LAZY SUSAN

#### ITEM

LSB33

LSB36

- Includes two 26" Pie-Cut Lazy Susan Trays
- Once assembled, door cannot be reversed
- Both wooden Lazy Susan trays rotate independently
- Center tray is mounted on 15mm ( $\frac{9}{16}$ ") adjustable shelf



### RETURN ANGLE

#### ITEM

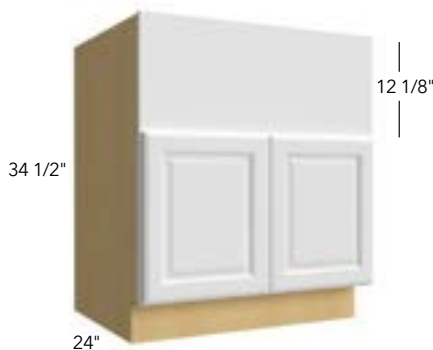
BRA24

- Door width: 17 $\frac{1}{2}$ "
- Adjustable shelving

## Base Cabinets



**BASE TRANSITIONAL  
RIGHT SHOWN**



### TRANSITIONAL

#### ITEM

BTR12

BTL12

- Cabinet exposed side comes pre-finished with near-flush finished end.
- Cabinet unexposed side comes flush and is not able to have a loose skin or applied finished end. If Interior side needs to be finished, please reach out to Customer Service to have a quote for this modification.

### SINK

#### ITEM

SB24

SB27

SB30

- Tilt Out [pg. 38](#)

### SINK

#### ITEM

SB33

SB36

SB39\*

SB42\*

- Tilt Out [pg. 38](#)
- \* Has a 3" center stile

### FARM SINK

#### ITEM

FS30

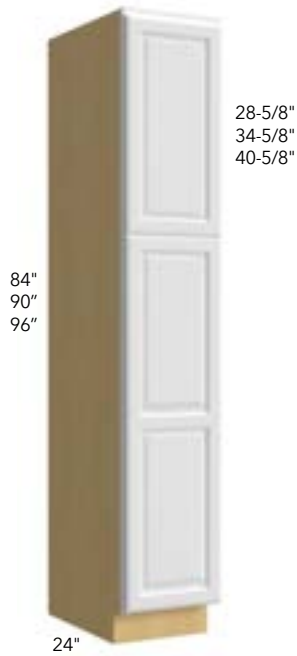
FS33

FS36

- Cut opening on job site
- Frame has a full closed top panel Maximum cutout height 12"
- Maximum cutout width 1 1/2" less than the cabinet size

**Note:** To avoid damage please apply extra care when cutting the front panel.

## Tall Pantry Cabinets



### SINGLE DOOR

#### ITEM

TP152484

TP182484

TP152490

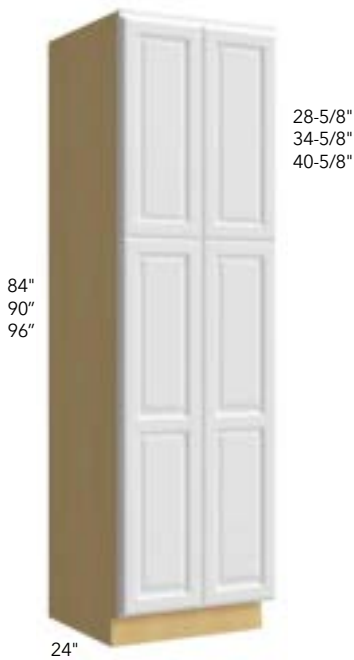
TP182490

TP152496

TP182496

- 84" high - 5 shelves
- 90" & 96" high - 6 shelves
- 18" deep shelves
- Roll Outs [pg. 33](#)

*Tall Pantry shelves and clips are shipped together loose and will come packaged separately from the cabinet.*



### DOUBLE DOOR

#### ITEM

TP242484

TP302484

TP242490

TP302490

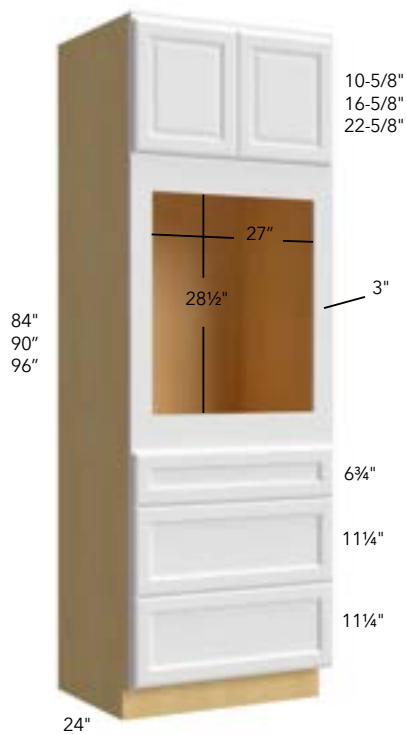
TP242496

TP302496

- 84" high - 5 shelves
- 90" & 96" high - 6 shelves
- 18" deep shelves
- Roll Outs [pg. 33](#)

*Tall Pantry shelves and clips are shipped together loose and will come packaged separately from the cabinet.*

## Oven Cabinets



### OVEN CABINET SINGLE WITH 3 DRAWERS

#### ITEM

OC3384S

OC3390S

OC3396S

\* Has one shelf in top cabinet. (Shelf and clips are shipped together loose and will come packaged separately from the cabinet)

- 3" Wide rails face frame to be trimmed on site

#### When using a Single Oven:

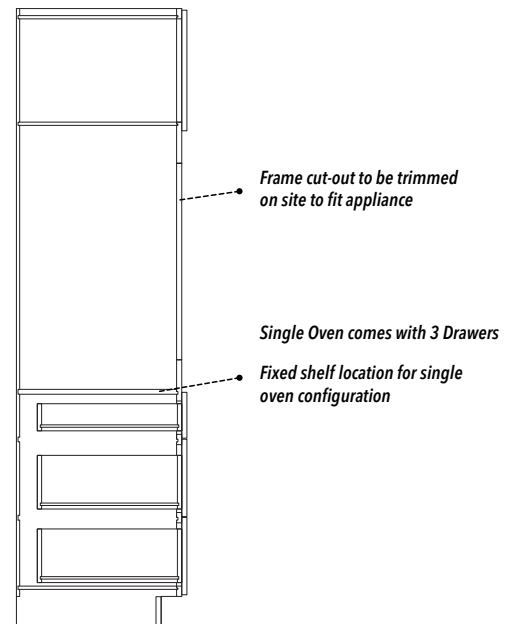
- Wide rails face frame to be trimmed on side
- Minimum Width opening 27"
- Maximum **cut out** width 31"
- Minimum Height opening 28 1/2"
- Maximum **cut out** height is 37"
- Maximum **overall** oven Height 37 1/2"

Full panel face frame to be trimmed on site (not by Fabuwood).

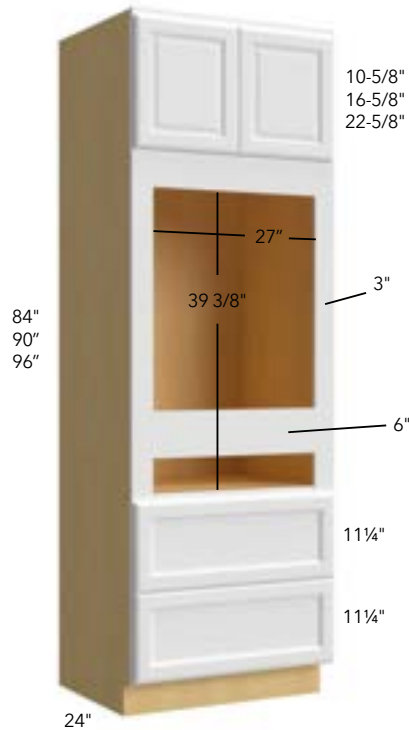
**Note:** To avoid damage to the frame & side panels, please apply extra care when cutting the front panel.

### SPECIFICATION FOR OVEN CABINET

Tall Oven Cabinets come with single fixed shelf above top drawer.  
Fixed shelf will be located above the uppermost drawer; location is based on the selected configurations: Single  
Frame is to be trimmed on site to accommodate configuration & appliance needs.



## Oven Cabinets



### OVEN CABINET COMBO WITH 2 DRAWERS

#### ITEM

OC3384C

OC3390C

OC3396C

\* Has one shelf in top cabinet. (Shelf and clips are shipped together loose and will come packaged separately from the cabinet)

- 3" Wide rails face frame to be trimmed on site

#### When using a Combo Oven:

- Wide rails face frame to be trimmed on side
- Minimum Width opening 27"
- Maximum **cut out** width 31"
- Minimum **cut out** height 39 3/8"
- Maximum **cut out** height is 44"
- Maximum **overall** oven Height 44 5/8"

#### When using two appliances:

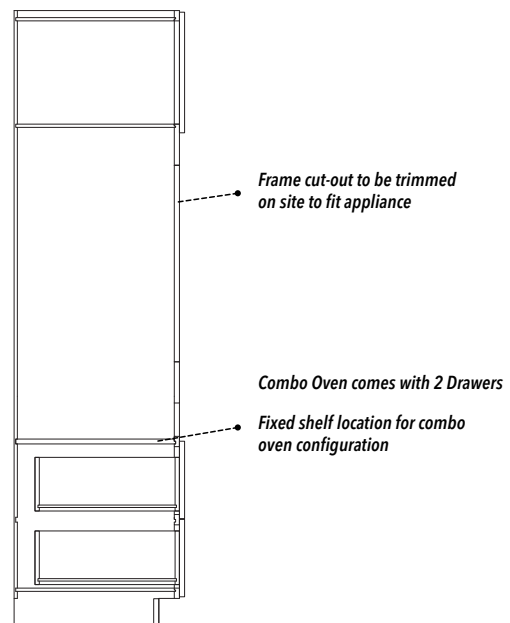
Will need to insert a filler and fixed shelf to support top appliance, filler and shelf to be purchased separately

Full panel face frame to be trimmed on site (not by Fabuwood).

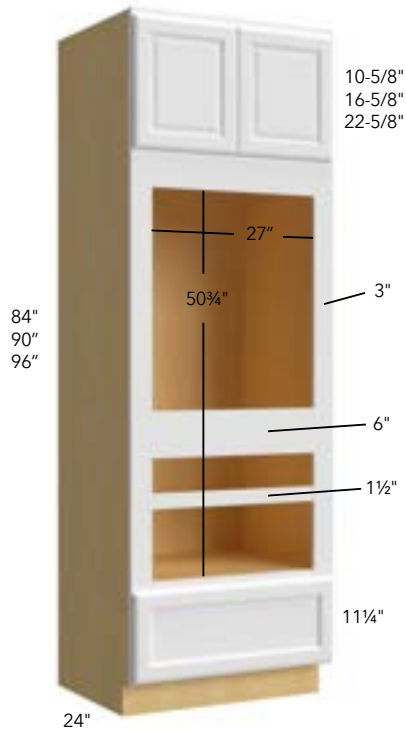
**Note:** To avoid damage to the frame & side panels, please apply extra care when cutting the front panel.

### SPECIFICATION FOR OVEN CABINET

Tall Oven Cabinets come with single fixed shelf above top drawer. Fixed shelf will be located above the uppermost drawer; location is based on the selected configurations: Combo  
Frame is to be trimmed on site to accommodate configuration & appliance needs.



## Oven Cabinets



### OVEN CABINET DOUBLE WITH 1 DRAWER

#### ITEM

OC3384D

OC3390D

OC3396D

\* Has one shelf in top cabinet. (Shelf and clips are shipped together loose and will come packaged separately from the cabinet)

- 3" Wide rails face frame to be trimmed on site

#### When using a Double Oven:

- Wide rails face frame to be trimmed on side
- Minimum Width opening 27"
- Maximum cut out width 31"
- Minimum cut out height is 50 3/4"
- Maximum cut out height is 55 1/2"
- Maximum overall oven Height 56"

#### When using two appliances:

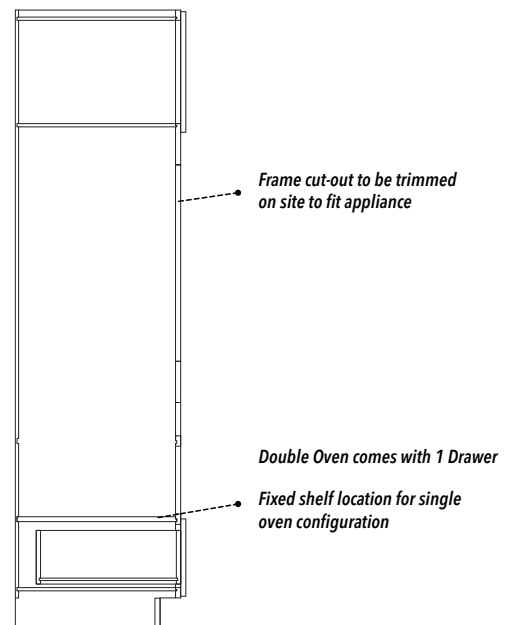
Will need to insert a filler and fixed shelf to support top appliance, filler and shelf to be purchased separately

Full panel face frame to be trimmed on site (not by Fabuwood).

Note: To avoid damage to the frame & side panels, please apply extra care when cutting the front panel.

### SPECIFICATION FOR OVEN CABINET

Tall Oven Cabinets come with single fixed shelf above top drawer.  
Fixed shelf will be located above the uppermost drawer; location is based on the selected configurations: Double  
Frame is to be trimmed on site to accommodate configuration & appliance needs.



Vanities



**34 1/2" HIGH VANITY SINK BASE**

ITEM
VSB24-34
VSB30-34



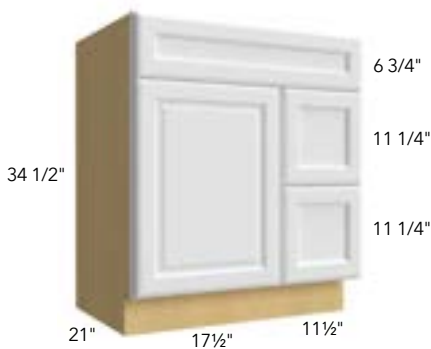
**34 1/2" HIGH VANITY SINK BASE**

ITEM
VSB36-34



**34 1/2" HIGH VANITY DRAWER BASE**

ITEM
VDB12-34
VDB15-34



**VANITY SINK BASE COMBO**

ITEM
VSD30DR
VSD30DL

*Need to select drawer on right or left side, cabinet can't be reversed R/L after assembled.*

**VSD30DR SHOWN**

Vanities



**VSD36DR SHOWN**

**VANITY SINK BASE COMBO**

ITEM

VSD36DR

VSD36DL

*Need to select drawer on right or left side, cabinet can't be reversed R/L after assembled.*



**VANITY SINK BASE COMBO**

ITEM

VSD42 (34" high)



**VANITY SINK BASE COMBO**

ITEM

VSD48 (34" high)

## Waste Solutions

TC15 BLUM



TC18 BLUM, TC21 BLUM



TC15FHD BLUM



TC18FHD BLUM, TC21FHD BLUM



### TRASH CAN (W/ BLUM SLIDES)

#### ITEM

TC15 BLUM\*

TC18 BLUM

TC21 BLUM

TCV15 BLUM♦

- Tandem plus Blumotion full extension concealed drawer runners
- Cabinet not included, cabinet must be ordered separately
- 2 - 35 qt. cans included
- \* Single 35 qt. can + one bags bin
- ♦ Smaller depth for vanity cabinets 21" deep

### TRASH CAN FULL HEIGHT DOOR (W/ BLUM SLIDES)

#### ITEM

TC15FHD BLUM\*

TC18FHD BLUM

TC21FHD BLUM

- Tandem plus Blumotion full extension concealed drawer runners
- Cabinet not included, cabinet must be ordered separately
- 2 - 50 qt. can included
- Includes installation
- Not for ADA cabinet use
- FULL-DOORS modification is required
- \* Single 50 qt. can + one bags bin

## Base Accessories



### ROLL OUT (PARTIAL EXTENSION BLUM SLIDES)

ITEM
ROD-B15 BLUM E
ROD-B18 BLUM E
ROD-B21 BLUM E
ROD-B24 BLUM E
ROD-B27 BLUM E
ROD-B30 BLUM E
ROD-B33 BLUM E
ROD-B36 BLUM E

- Cabinet not included
- Price is for a single Roll Out drawer
- Blumotion partial extension concealed drawer runners
- Drawers are adjustable
- Can be used for pantries

For increased drawer depth or custom height-placement, please email [customquotes@fabuwood.com](mailto:customquotes@fabuwood.com).  
A \$100 modification surcharge will apply to all custom requests.



### ROLL OUT (FULL EXTENSION BLUM SLIDES)

ITEM
ROD-B15 BLUM H
ROD-B18 BLUM H
ROD-B21 BLUM H
ROD-B24 BLUM H
ROD-B27 BLUM H
ROD-B30 BLUM H
ROD-B33 BLUM H
ROD-B36 BLUM H

- Cabinet not included
- Price is for a single Roll Out drawer
- Blumotion partial extension concealed drawer runners
- Drawers are adjustable
- Can be used for pantries

For increased drawer depth or custom height-placement, please email [customquotes@fabuwood.com](mailto:customquotes@fabuwood.com).  
A \$100 modification surcharge will apply to all custom requests.

## Base Accessories



### TWO-TIER COOKWARE ORGANIZER

#### ITEM

CWO-B18 BLUM

CWO-B24 BLUM

- Cabinet not included
- Full-extension Blum slides
- Pegboard bottoms
- 4 Press-in pegs included



### 3" TOWEL BAR PULL OUT

#### ITEM

TBPO-BF3

- Filler & Overlay Filler are required and need to be ordered separately
- 2 Towel bars
- Single static shelf with chrome wire accents
- UV coated maple wood
- Installed on site
- Installed between two cabinets
- Full-extension, ball-bearing slides with soft-close



### SPICE PULL OUT BASE

#### ITEM

SPO-B9 BLUM

SPO-B12 BLUM

- Cabinet not included, cabinet must be ordered separately
- Features Blumotion soft-close drawer slides
- FULL-DOORS modification is required
- Chrome rails
- Adjustable shelves
- UV coated maple wood

**NOTE:** SPO-B9 Spice Pull-Out with ball-bearing slides has been discontinued.

## Base Accessories



### UTENSIL PULL OUT

#### ITEM

UPO-B9 BLUM

UPO-B12 BLUM

- Cabinet not included, cabinet must be ordered separately
- FULL-DOORS modification is required
- Chrome rails
- Adjustable shelves
- UV coated maple wood
- Features Blumotion soft-close drawer slides

UKBPO-B12 BLUM

UKBPO-B15 BLUM



### UTENSIL & KNIFE PULL OUT

#### ITEM

UKBPO-B12 BLUM

UKBPO-B15 BLUM

- Cabinet not included, cabinet must be ordered separately
- FULL-DOORS modification is required
- Designed for full height base cabinet
- Knife block features flex rod technology that adjust to securely hold knives
- Chrome rails
- Adjustable top shelf
- Removable stainless steel bin(s) included
  - » UKBPO-B12 BLUM: Includes one 2 qt. bin
  - » UKBPO-B15 BLUM: Includes one 2 qt. bin & three 1 ¼ qt. bins
- 4 flexible plastic cutting mats included
- UV coated maple wood
- Not for ADA cabinet use
- Features Blumotion soft-close drawer slides

### TRAY DIVIDER PULL OUT BASE 9" (W/ BLUM SLIDES)

#### ITEM

TDPO-B9 BLUM



- Cabinet not included, cabinet must be ordered separately
- FULL-DOORS modification is required
- UV coated maple wood
- Features Blumotion soft-close drawer slides

## Base & Wall Accessories



### SPICE PULL OUT BASE FILLER

ITEM
SPO-BF3*
SPO-BF6*
SPO-BF3 BLUM
SPO-BF6 BLUM

- *Filler & Overlay Filler are required and need to be ordered separately*
  - *Chrome rails*
  - *Adjustable shelves*
  - *UV coated maple wood*
  - *Installed on site*
  - *Installed between two cabinets*
  - *Not for ADA cabinet use*
  - *Wall filler 30" high is recommended instead of a base filler, requires to build toe kick separately*
- \* *Full extension ball-bearing slides (not soft-close)*

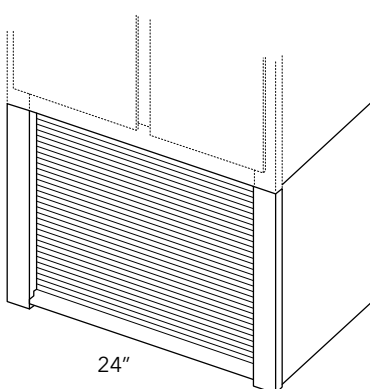
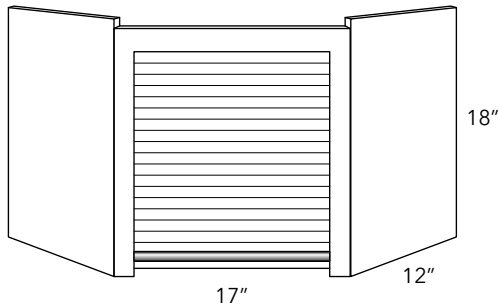
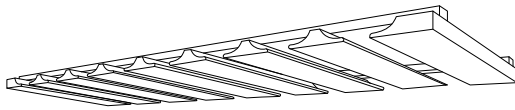
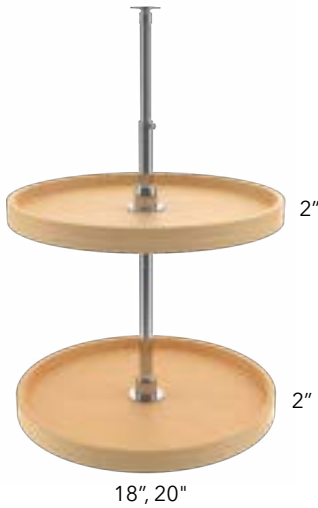


### SPICE PULL OUT WALL FILLER

ITEM
SPO-WF330
SPO-WF336
SPO-WF342
SPO-WF630
SPO-WF636
SPO-WF642

- *Filler & Overlay Filler are required and need to be ordered separately*
- *Chrome rails*
- *Full extension ball-bearing slides (BLUM soft-close slides not available)*
- *Adjustable shelves*
- *UV coated maple wood*
- *Installed on site*
- *Installed between two cabinets*
- *Wall filler 30" high is recommended instead of a base filler, requires to build toe kick separately*

## Wall Accessories



### LAZY SUSAN

#### ITEM

PLASTIC

LSP24 30

LSP24 36/42

WOOD

LSW24 30

LSW24 42

LSW27 30\*

LSW27 42\*

- Top and bottom brackets will come pre-installed. All other accessory parts will ship separately to be installed on site.
- Adjustable metal post
- 42" lazy susan has 3 trays
- 42" poles can be cut to fit 36" high cabinet
- \* 20" trays

### STEMWARE RACK

#### ITEM

STMW30

STMW36

- Comes unfinished. Product finished per order. May have extended ETA.

### CORNER APPLIANCE GARAGE

#### ITEM

WDCAG2418

- Comes unfinished. Product finished per order. May have extended ETA.
- Designed to be installed under a diagonal corner wall 24".

**Note:** Appliance garages ship unassembled. Assembly required for installation on-site.

### STRAIGHT APPLIANCE GARAGE

#### ITEM

WAG2418

- Comes unfinished. Product finished per order. May have extended ETA.
- Designed to be placed under a 24" wide wall cabinet.
- Stiles are 2" wide

**Note:** Appliance garages ship unassembled. Assembly required for installation on-site.

## Sink Accessories



### TILT OUT

ITEM
TILTOUT 11"
TILTOUT 14"
TILTOUT 24"

- *White plastic tray*



### SINK MAT

ITEM
UNDER SINK MAT

- *Product will be cut to size when purchased as accessory for cabinet.*
- *Product Purchased Separately will ship loose in 48"x30" Sheets.*
- *Grey waterproof polystyrene mat with stainless steel detail*

## Drawer Accessories



### TIERED DEEP DRAWER

#### ITEM

DTD-DB30 BLUM

DTD-DB36 BLUM

- For DB30 & DB36 only
- Replaces the original drawer box of cabinet
- UV coated maple wood
- Drawer front not included
- 3 drawer compartments
- Blumotion full extension concealed drawer runners



### CUTTING BOARD & KNIFE DRAWER

#### ITEM

CBKD-B18 BLUM

- For 18" cabinet drawer only
- Replaces the original drawer box of cabinet
- UV coated maple wood
- Up to 4 compartments and built-in knife organizer
- 1 wooden cutting board
- Blumotion full extension concealed drawer runners



### CHARGING DRAWER

#### ITEM

CHD-B18 BLUM

- For 18" cabinet drawer only
- Replaces the original drawer box of cabinet
- UV coated maple wood
- Blumotion full extension concealed drawer runners
- (2) 120V plugs and (2) 201 amp USB ports
- Tamper resistant outlets
- Max current: AC: 12 amps @ 120VAC; USB 2.1 amp & 5 VDC
- Power cord with NEMA 5 - 15 plug
- Integrated cord guide to ensure safe operation
- Shock absorbent mat, black
- Overall safety of this product is determined by its end use

## Drawer Accessories



### 2-TIER CUTLERY DRAWER

#### ITEM

DCD-15 BLUM

DCD-18 BLUM

DCD-21 BLUM

DCD-24 BLUM

- UV coated maple wood
- Includes complete 3¾" high drawer box
- Blumotion full extension concealed drawer runners



### 2-TIER CUTLERY COMBO DRAWER

#### ITEM

DCD-30 BLUM

DCD-36 BLUM\*

- UV coated maple wood
- Includes complete 3¾" high drawer box
- \* For DB36 only



### TRIMMABLE KNIFE DIVIDER

#### ITEM

DKI-18/24

- UV coated maple wood
- Total height: 2"
- ¾" plywood bottom



### DRAWER PEGBOARD SYSTEM

#### ITEM

DPS-18/27

DPS-30/33

- Compatible with Three Drawer Base Cabinets (middle and bottom drawers only) and Two Drawer Base Cabinets
- Boards are cut-to-size during assembly to fit the drawer box (includes installation)
- Maple wood with semi-gloss finish
- Pre-drilled placement holes are 2 ½" apart in both directions
- Available as loose accessory (to be trimmed on site)
- DPS-18/27:
  - » To fit 18" - 27" drawer
  - » Includes nine 6" tall adjustable peg inserts
- DPS-30/33:
  - » To fit 30" - 33" drawer
  - » Includes twelve 6" tall adjustable peg inserts

## Vanity Accessories



### VANITY OUTLET GROOMING ORGANIZER

#### ITEM

VGO12FD BLUM

- Cabinet not included, cabinet must be ordered separately
- FULL-DOORS modification required
- 2 removable stainless steel bins included
- 2 shelves with non-skid vinyl lining and acrylic accents
- In-drawer receptacle with (2) 120V plugs
- Tamper-resistant outlets
- Max Current: AC: 12 amps @ 120VAC
- Power cord with NEMA 5 - 15 plug
- Integrated cord guide ensures safe operation
- Drawer stop prevents items from being stored "ON" inside the cabinet
- Its end-use determines the overall safety of this product
- UV coated maple wood
- Not for ADA cabinet use
- Blumotion full extension concealed drawer runners



### TRIMMABLE VANITY DRAWER ORGANIZER INSERT

#### ITEM

VDO

- Designed for 21" or smaller vanity base drawers
- Anti-skid vinyl lining
- Up to 13 compartments
- 2 clear acrylic lids
- UV coated maple wood



### VANITY APPLIANCE STORAGE RACK

#### ITEM

VASR-30

- Designed for 30" vanity base cabinet
- Mounts to inside of right or left door
- Non-skid lining on lower level shelf
- (2) 1.25 qt. stainless steel bins
- UV coated maple wood

## Vanity Accessories



### VANITY ORGANIZER PULL OUT

#### ITEM

VOPO-24 BLUM

- Reversible
- 6 Acrylic bins included
- Blumotion full extension concealed drawer runners
- For VSB24-34

*\*Pull-out's shorter depth is designed for 24" Vanity Sink Base, but will also work in standard depth base cabinets. If used in standard base, there will be additional space in rear of cabinet once unit is installed.*



### U-SHAPED VANITY SINK BASE PULL OUT

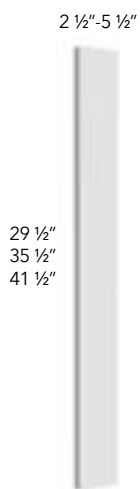
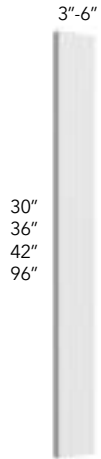
#### ITEM

UVTCPO-30 BLUM

- Tandem plus Blumotion full extension drawer runners
- Designed for 30" Vanity Sink Base, but works great in standard depth base cabinets as well
- Non-skid vinyl lining
- 4 adjustable dividers
- 8 qt. waste container included

*Any accessories can be ordered and installed through Fabuwood*

## Fillers



### WALL & TALL

#### ITEM

WF330

WF336

WF342

WF630

WF636

WF642

TF396

TF696

- 2 long edges are finished

### BASE

#### ITEM

BF3

BF6

- Base Fillers are finished on long edges and front face

### OVERLAY

#### ITEM

OLFBF3

OLFBF6

OLF330♦

OLF336

OLF342

OLF630♦

OLF636

OLF642

- Overlay Base Filler is 29 1/2" high
- Sides of filler are finished
- ♦ Will not fit for a base cabinet

Valances



**OGEE  
PROFILE**

**STRAIGHT**

ITEM

VST96



**OGEE  
PROFILE**

**ARCHED**

ITEM

VAR54

Posts



**CORNER POST**

ITEM

CP36

- *Must trim 2" from top or bottom*

*Disclaimer: Pilasters are handmade and may therefore feature inconsistencies in shape or form. These are in no way considered defects.*



**SQUARE POST**

ITEM

SQP36

## Pilasters & Corbels



### PILASTER BASE

#### ITEM

PP-BASE

- Must trim 2" from top or bottom
- Features a toe kick block behind the pilaster

*Disclaimer: Posts are handmade and may therefore feature inconsistencies in shape or form. These are in no way considered defects.*



### PILASTER WALL

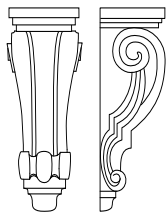
#### ITEM

PP-W30

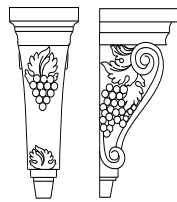
PP-W36

PP-W42

*Disclaimer: Posts are handmade and may therefore feature inconsistencies in shape or form. These are in no way considered defects.*



**CT**  
(H6½" x W3¾" x D3½")



**CG**  
(H10" x W4¾" x D5¼")

### CORBELS

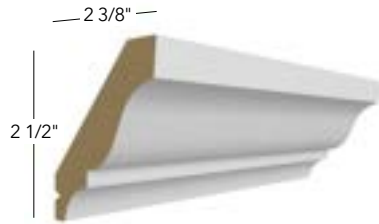
#### ITEM

CTS

CGS

*Disclaimer: Corbels are handmade and may therefore feature inconsistencies in shape or form. These are in no way considered defects.*

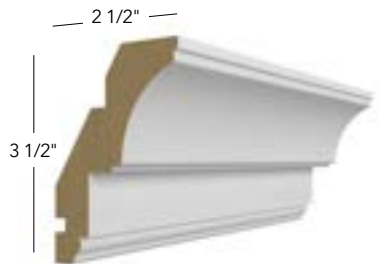
## Moldings (8')



### SMALL CROWN

ITEM

CM-1



### ROYAL CROWN & INLAY

ITEM

TCM\*

RM

DM

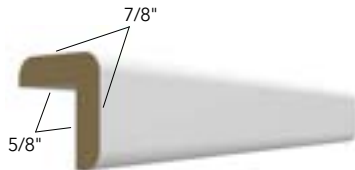
\* Back-mounting cleat included



**ROPE MOLDING**



**DENTIL MOLDING**



### OUTSIDE CORNER

ITEM

OCM8



### INSIDE CORNER

ITEM

ICM8



### LIGHT RAIL

ITEM

LRM

## Moldings (8')



### QUARTER ROUND

ITEM
QRM



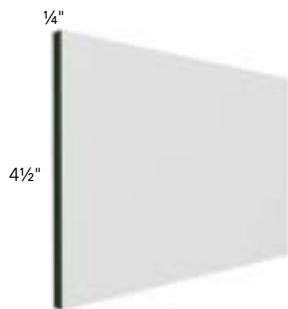
### SCRIBE

ITEM
SM8



### BATTEN

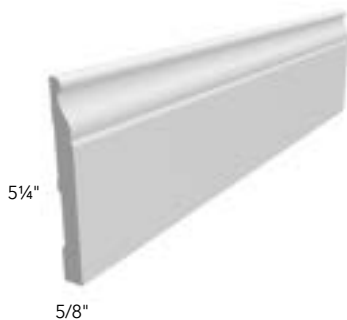
ITEM
BM3/4



### TOE KICK

ITEM
TK8

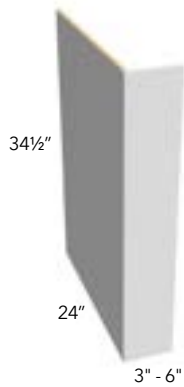
- Exterior finish matches that of door style ordered
- Moisture Resistant MDF will have visible green core



### BASE

ITEM
BBM

Panels



**DISHWASHER END PANEL**

**ITEM**

DWR1-1/2

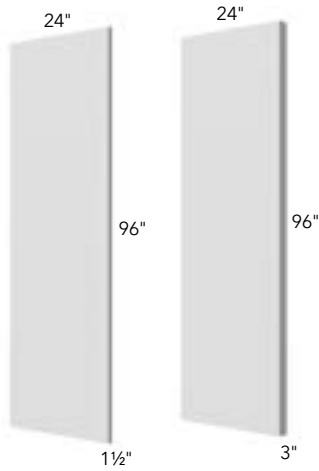
**ITEM**

DWR3

**ITEM**

DWR6

- Sides are flush finished (no 1/4" reveal)



**REFRIGERATOR END PANEL WITH RETURN**

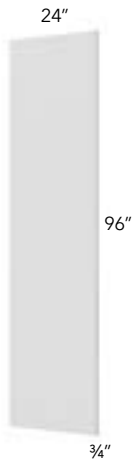
**ITEM**

REP1-1/2

**ITEM**

REP3

- Sides are flush finished (no 1/4" reveal)



**REFRIGERATOR END PANEL**

**ITEM**

REP2496

- Edge banded on both 96" sides.

## Panels



### WAINSCOT

#### ITEM

WP-BASE

WP-W30

WP-W36

WP-W42

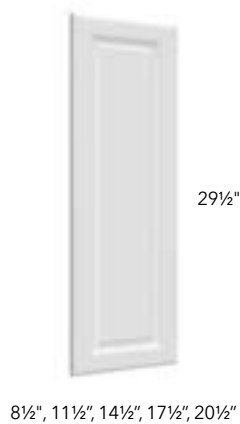
WP-T84

WP-T90

WP-T96

- Same profile as cabinet door (3/4" thick)
- BASE - 23-1/2" X 29-1/2"
- W30 - 11-1/2" X 28-5/8"
- W36 - 11-1/2" X 34-5/8"
- W42 - 11-1/2" X 40-5/8"
- TALL WIDTH - 11-3/4" each door
- TALL BOTTOM DOORS ARE 49-1/4"H

Tall panels can be used for 12"D Pantry by using 2 pieces from the set of 4.



### DECO DOOR

#### ITEM

DD B09FD

DD B12FD

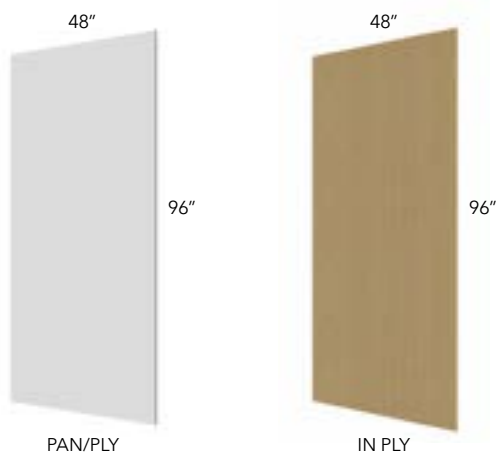
DD B15FD

DD B18FD

DD B21FD

- Door height is 29-1/2"
- Door width is same as door on cabinet

Wainscot Panels may come with hinge holes pre-drilled on the back of the door



### PLYWOOD

#### ITEM

PAN-1/4 \*

PLY-1/2 \*\*

PLY-3/4 \*\*

IN PLY 1/2

IN PLY 3/4

\* Finished on 1 side only; Moisture Resistant MDF will have visible green core

\*\* Finished on 2 sides only

## Paint & Touch Up Kits



### PAINT

#### ITEM

PAINT (PINT)

PAINT (QUART)

- Available in Frost
- Can be ordered by the Pint or Quart. Quart sizes will be shipped out in the equivalent amount of 1-Pint size cans to fulfill the order.

**DISCLAIMER:** Fabuwood takes no responsibility for improper application and/or imperfections caused by using this item. Touch-ups & Finishing applications are recommended to be completed by a qualified cabinet installer.



### PAINT SPRAY CAN

#### ITEM

PSC

- Available in Frost only
- Paint Spray Can can be used for general touch-ups. Suggested Uses: Spraying the edges of molding before installation, cosmetic touch-up after installation, spraying the edges of TK8 or loose PAN-1/4 finished end skins.
- Note: Not intended to be used to refinish a cabinet or accessory such as trim moldings.
- Due to the complexity of Fabuwood finishes, Paint Spray Cans are not available for stained finishes.

**DISCLAIMER:** Fabuwood takes no responsibility for improper application and/or imperfections caused by use of Paint Spray Can. Touch-ups are recommended to be completed by a qualified cabinet installer.



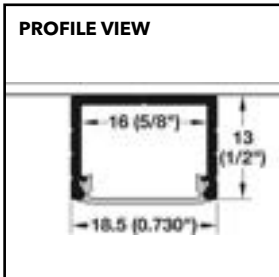
### TOUCH UP KIT

#### ITEM

TOUCH UP KIT

- Includes stick, marker, scraper & four shelf clips

## Cabinet Lighting



### UNDER CABINET LED

ITEM
LED W09
LED W12
LED W15
LED W18
LED W21
LED W24
LED W27
LED W30
LED W33
LED W36
LED W39

- Dimmable. Settings allow for adjustment between Warm White to Cool White lighting
- Light temperature range of 2700-5000K
- LED Lighting bars are designed to be surface-mounted underneath a wall cabinet
- Consists of an aluminum channel housing with diffuser cover
- Requires Driver, Mesh Connector, & Recommended Light Switch (purchased separately).

**Note:** Installation by a qualified cabinetry installer or electrician is recommended.



### FLOATING SHELF WITH LED - WALNUT

ITEM
LED FLS24 WALNUT
LED FLS30 WALNUT
LED FLS36 WALNUT
LED FLS42 WALNUT
LED FLS48 WALNUT
LED FLS54 WALNUT
LED FLS60 WALNUT

- Dimmable. Settings allow for adjustment between Warm White to Cool White lighting
- Light temperature range of 2700-5000K
- Floating shelves include a Light Bar with 6.5ft Lead and a 6.5ft Extension Lead
- LED Light Bar for Floating Shelves ship loose and are to be installed in the field
- Floating Shelves with LED are available in Stock Paint and Stain Finishes, Walnut and are to be specified at time of order. For Finishing to a custom color, must be ordered as Dove or Frost.
- Requires Driver, Mesh Connector, & Recommended Light Switch (purchased separately).

**Note:** Installation by a qualified cabinetry installer or electrician is recommended.



LED FLS30 WALNUT SHOWN

## Cabinet Lighting



### PUCK LIGHT SET

#### ITEM

LED 2-1/4" PUCK

- Designed to recess into the bottom of a cabinet or soffit box.
- Includes puck light, silver cover cap, and lead
- Light temperature range of 2700-5000K
- Requires Driver, Mesh Connector, & Recommended Light Switch (purchased separately).

*Note: Installation by a qualified cabinetry installer or electrician is recommended.*

### LED INTERIOR CABINET LIGHTING

#### ITEM

LED CAB INT 48" STRIP



- Flexible LED Lighting Strip designed for interior cabinet lighting.
- Strip can be trimmed in 2" intervals to fit as needed
- Medium Intensity lighting
- Requires Driver, Mesh Connector, & Recommended Light Switch (purchased separately).

*Note: Installation by a qualified cabinetry installer or electrician is recommended.*

### LED INTERIOR CABINET LIGHTING

#### ITEM

LED STRIP TUNABLE WHITE 10MM



- Flexible LED Lighting Strip designed for ambient cabinet lighting.
- Full length is 86-9/16"
- Includes two pre-attached 78-3/4" leads, one on each end
- Features uniform light output: LED dots are not visible
- Encased in a silicone sleeve eliminating the need for a profile
- Strip can be trimmed in 2" intervals to fit as needed
- Requires Driver, Mesh Connector, & Recommended Light Switch (purchased separately).

*Note: Installation by a qualified cabinetry installer or electrician is recommended.*

## Cabinet Lighting



### DRIVER

#### ITEM

LED DRIVER

- 90w Driver 24V
- Includes power cord

*Installation by a qualified cabinetry installer or electrician is recommended*



### MESH CONNECTOR

#### ITEM

LED MESH CONNECTOR

- 4-Port Mesh Distribution Box
- Bluetooth-enabled (Can pair with Wall Switch)

*Installation by a qualified cabinetry installer or electrician is recommended*



#### ITEM

LED WLS SWITCH

- Leviton Decora-style Wall Switch with Dimmer Function

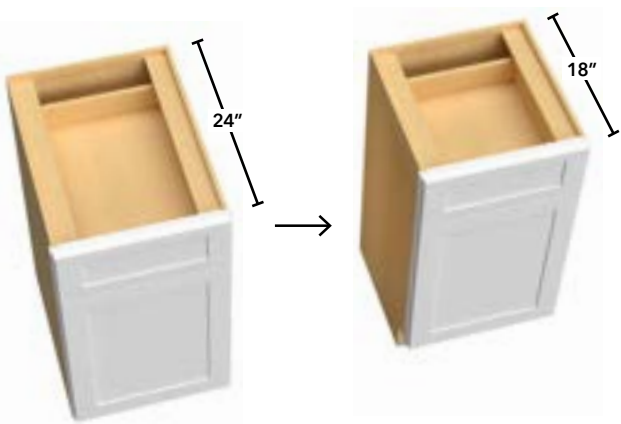
*Note: Installation by a qualified cabinetry installer or electrician is recommended.*

# **Modifications**

## Cut Modifications

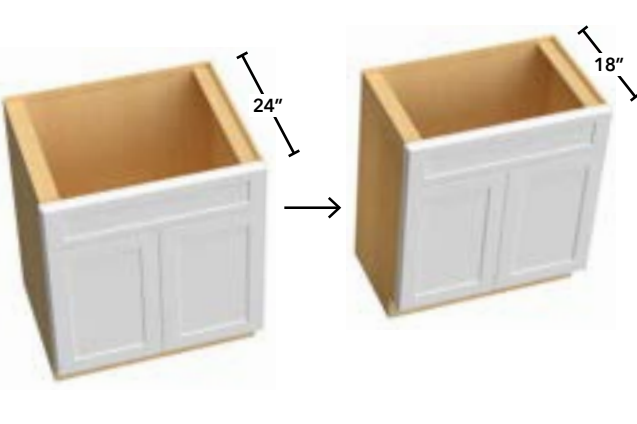
**ITEM**  
CUT-BASE

- Reduce depth of base cabinet (min. depth 12")



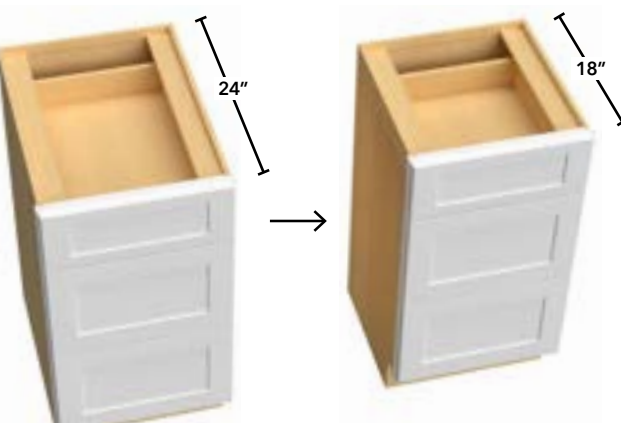
**ITEM**  
CUT-SBASE

- Reduce depth of sink base cabinet (no min.)



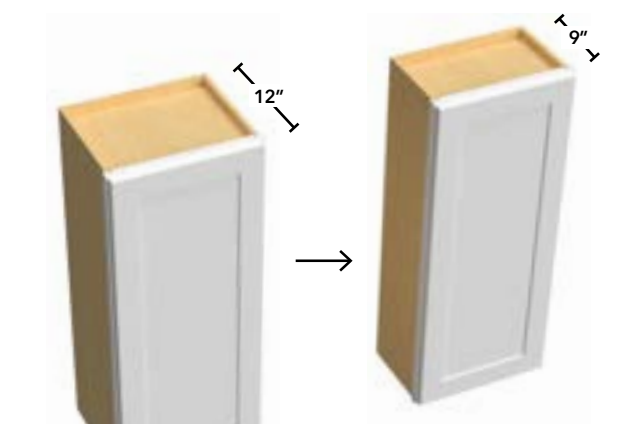
**ITEM**  
CUT-DBASE

- Reduce depth of drawer base cabinet (min. depth 12")



**ITEM**  
CUT-WALL

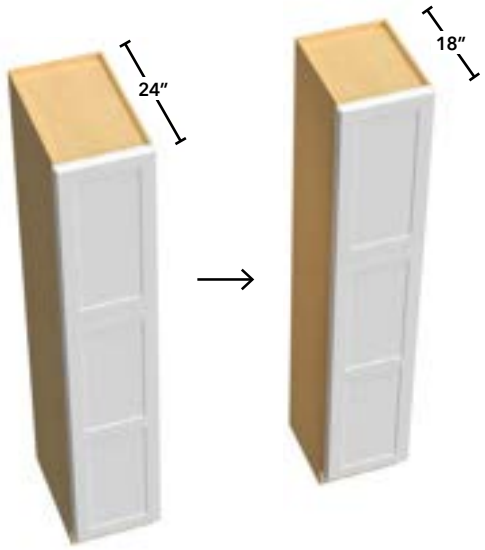
- Reduce depth of wall cabinet (4" min.)



## Cut Modifications

**ITEM**  
CUT-TALL

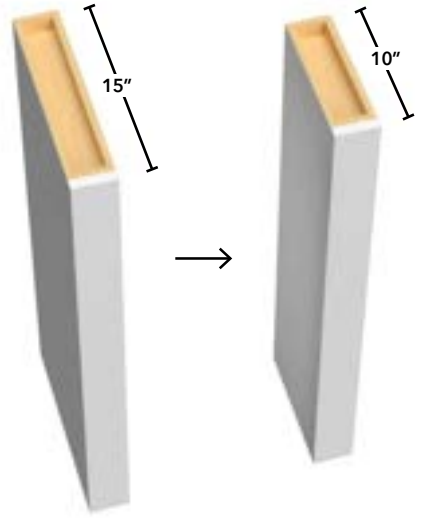
- Reduce depth of tall cabinet (no min.)



The diagram illustrates a modification to a tall cabinet. On the left, a 3D perspective view of a tall cabinet is shown with a depth dimension of 24 inches. An arrow points to the right, where the same cabinet is shown after being cut to a depth of 18 inches.

**ITEM**  
CUT-COLUMN


- Reduce depth of column (specify depth)



The diagram illustrates a modification to a cabinet column. On the left, a 3D perspective view of a cabinet column is shown with a depth dimension of 15 inches. An arrow points to the right, where the same column is shown after being cut to a depth of 10 inches.

**ITEM**  
CUT-DOOR

- Cut out center panel of door for glass insert (per door, glass not included)
- MATCH-INTERIOR must be added separately
- Not available for Luna



The diagram illustrates a modification to a cabinet door. On the left, a 3D perspective view of a solid cabinet door is shown. An arrow points to the right, where the same door is shown with the center panel removed, leaving a rectangular opening for a glass insert.

**ITEM**  
CUT-BASE HEIGHT

- Reduce height of base cabinet by cutting off top drawer (total base height: 28-1/8")
- Designed to create a base cabinet that can be used with a Range Top appliance

**NOTE:** Modification is only available for Base cabinets with a standard top drawer. Not available for 2-Drawer Base, Farm Sink, or File Drawer.

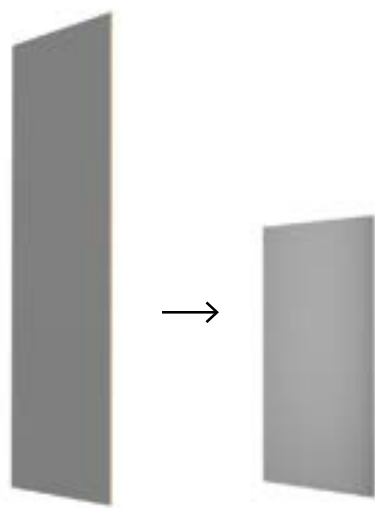


The diagram illustrates a modification to a base cabinet. On the left, a 3D perspective view of a base cabinet with a top drawer is shown with a total height dimension of 34 1/2 inches. An arrow points to the right, where the same cabinet is shown after the top drawer has been removed, resulting in a total height of 28 1/8 inches.

## Cut Modifications

ITEM
CUT-TK
<ul style="list-style-type: none"> <li>• Reduce toe kick height</li> <li>• Specify total cabinet height when selecting modification.</li> <li>• Will ship Toe Kick loose if full height of toe kick is removed.</li> </ul>

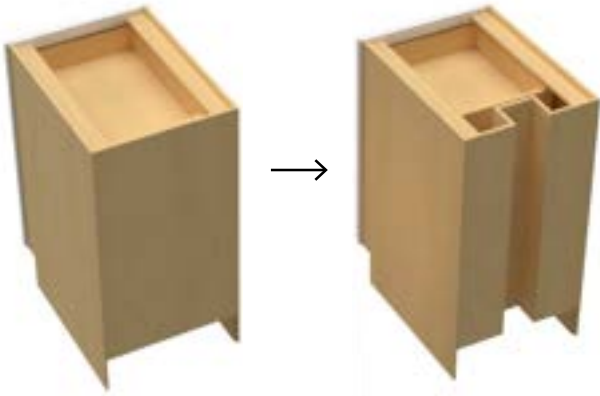

ITEM
CUT-ROD
<ul style="list-style-type: none"> <li>• Reduce depth of rollout drawer (specify depth of cabinet)</li> <li>• CUT-ROD modification will be automatically added when CUT-____ depth reduction has been applied to a cabinet with a ROD accessory selected.</li> <li>• Roll Out Drawer is trimmed from the back to new depth. Back panel will no longer be dovetailed.</li> </ul> <p><i>Note: to add CUT-ROD on ROD Roll Out Drawers being ordered loose, please contact your Customer Service Teams for assistance.</i></p>


ITEM
CUT-PANEL
<ul style="list-style-type: none"> <li>• Cut down a panel to any size</li> </ul> <p><i>Note: cut sides do not include edge-banding. Contact Customer Service to request application via Custom Shop, or add EDGE-BANDING (QTY per L.F.) as a loose accessory item for field application.</i></p>


## Pipe Chase

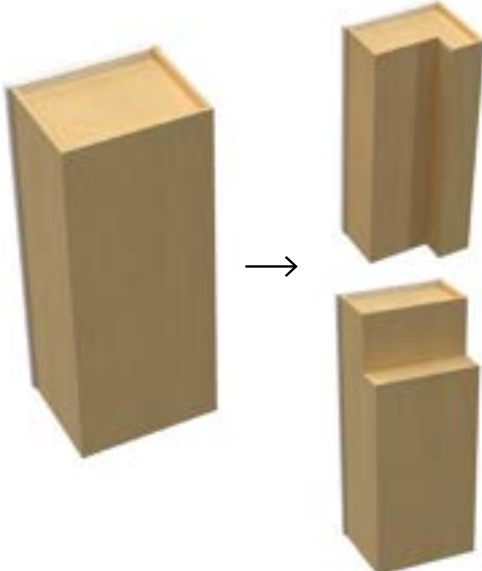
**ITEM**  
CHASE-BASE

- *Make chase in base cabinet*
- **Must supply a drawing for all chase modifications.**



**ITEM**  
CHASE-WALL

- *Make chase in wall cabinet*
- **Must supply a drawing for all chase modifications.**



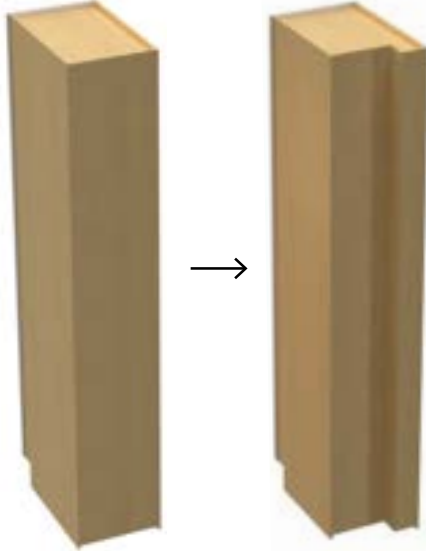
**ITEM**  
CHASE-DBASE

- *Make chase in drawer base cabinet*
- **Must supply a drawing for all chase modifications.**



**ITEM**  
CHASE-TALL

- *Make chase in tall cabinet*
- **Must supply a drawing for all chase modifications.**

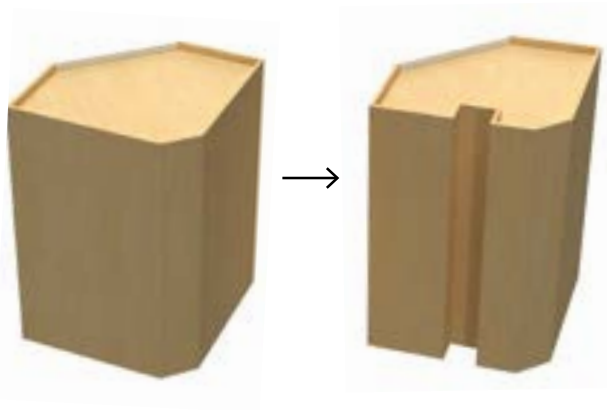


## Pipe Chase

ITEM

CHASE-CORNER

- *Make chase in corner cabinet (WDC, WPC & ERB only)*
- **Must supply a drawing for all chase modifications.**



## Custom Doors

### ITEM

CUSTOM DOOR

CUSTOM DRAWER FRONT

CUSTOM DECO PANEL

Custom Doors, Drawer Fronts & Deco Panels available to order on EZ-Pricing Online.

- Available in 1/16" increments.
- Sizing and availability subject to restrictions & door style selected.

**NOTE: Oversize items will receive a Warranty Disclaimer and will not be covered under Fabuwood's Warranty.**

#### Lead Time:

All custom order doors, fronts & deco panels receive extended lead times. Lead times to be advised at time of order placement & may be subject to change.

\* CUSTOM DOOR offers the following configuration options:

#### 1. Center Panel:

- Standard Center-Panel
- Prepped for Glass

#### 2. Hinging:

- With hinge holes
- With hinge holes on top as Lift-up
- With no hinge holes

#### Additional custom options available:

For custom panel configurations, modified stile & rail widths, Wine Cooler Door Overlays or other non-standard requests please email [customquotes@fabuwood.com](mailto:customquotes@fabuwood.com) for pricing.

Refer to Selling Sheet for more information.

## Customizations

**ITEM**

**HAMPER**

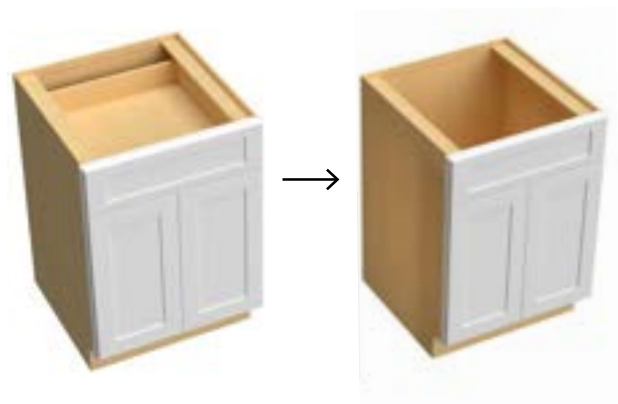
- Install door mounted pull out wood hamper in cabinet (cabinet not incl.)
- 18"high Hamper is constructed of natural plywood
- Installed with Undermount Ball-Bearing slides
- Custom height at 21" can be requested through Custom Quotes



**ITEM**

**REMOVE-DRAWER**

- Remove cabinet drawer to create false drawer front



**ITEM**

**INSTALL-ACCES**

- Accessories not included
- Email [customquotes@fabuwood.com](mailto:customquotes@fabuwood.com) for quote
- Specify any Third Party accessory for Fabuwood to order & install in a cabinet. Dealer to provide Manufacturer & Model Number.
- Accessory pricing and installation cost vary by item.
- Accessory lead times & availability may vary & are subject to change depending on item(s) selected.

**ITEM**

**EDGE BAND**

- Apply edge band on selected side of panel

**ITEM**

**CLOSE-BLIND**

- Close open section of a blind wall or base cabinet



## Customizations

**ITEM**

**ATTACH-TK**

- Attach toe kick on wall cabinet
- Choose from the following options: *FLUSH TK, Recess Right, Recess Left (or a combination or all three options)*



The diagram illustrates the 'ATTACH-TK' customization. On the left, a white wall cabinet is shown without a toe kick. An arrow points to the right, where the same cabinet is shown with a light-colored wooden toe kick attached to its base.

**ITEM**

**INSERT DIVIDER**

- Inserts 1/2" vertical trays into standard wall or base cabinet from 9"W - 36"W
- Widths 9" - 18": QTY 1 only
- Widths 21" - 24": QTY 1, 2
- Widths 27" - 30": QTY 1, 2, 3
- Widths 33" - 36": QTY 1, 2, 3, 4



The diagram illustrates the 'INSERT DIVIDER' customization. The top image shows an open cabinet with two shelves. An arrow points down to the second image, which shows the same cabinet with a vertical divider inserted into the shelf, creating three compartments.

## Modifications

**ITEM**

**RECESS-TK**

- Recess toe kick of base cabinet (must supply a drawing)
- Choose from the following options: Left, Right, Back or a combination of all three.



**ITEM**

**PEN-CABINET**

- Create a peninsula cabinet from 2 cabinets
- Peninsula side will include standard Recessed Toe Kick



**ITEM**

**CHOOSE-INTERIOR**

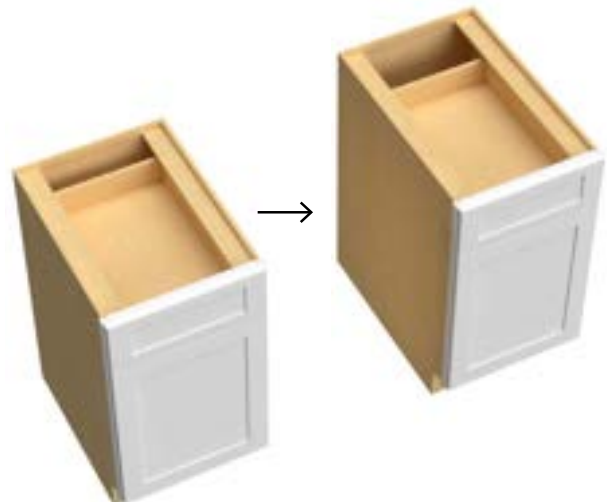
- Finish interior of cabinet to selected paint or stain.
- Finished ends must still be specified
- Not available for NDW, WOS, WR/WC/WO cabinets, Vanities, and TP's.



**ITEM**

**INCREASE-BASE**

- Increase depth on base cabinet
- Increased depth of Rollout drawers are by custom request only and is not included in modification. Custom quote required.

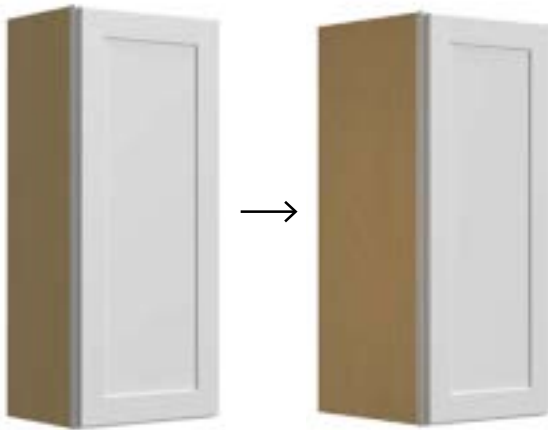


## Modifications

**ITEM**

**INCREASE-WALL**

- Increase depth on wall cabinet
- Increased depth of Rollout drawers are by custom request only and is not included in modification. Custom quote required.



**ITEM**

**MATCH-INTERIOR**

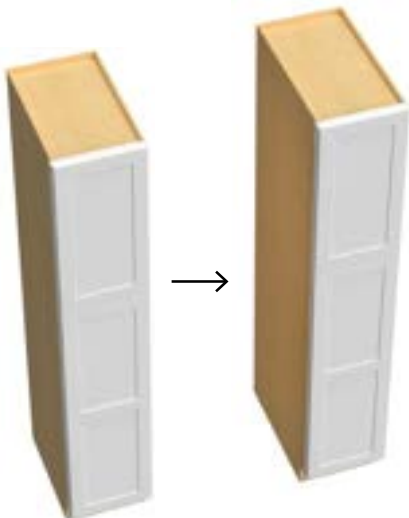
- Finish interior of cabinet to match exterior
- Finished ends must still be specified



**ITEM**

**INCREASE-TALL**

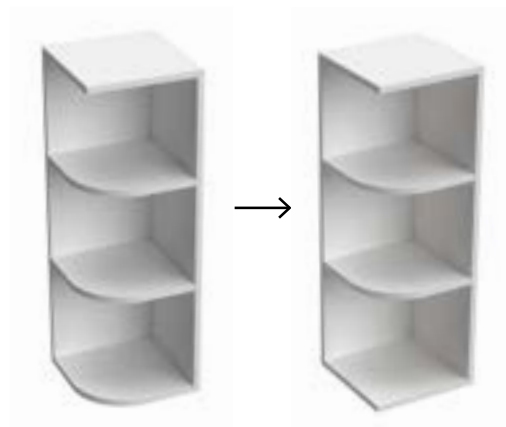
- Increase depth on tall cabinet
- Increased depth of Rollout drawers are by custom request only and is not included in modification. Custom quote required.



**ITEM**

**CREATE- SQ BOTTOM**

- Create square bottom shelf for open end cabinet to allow the use of light rail molding

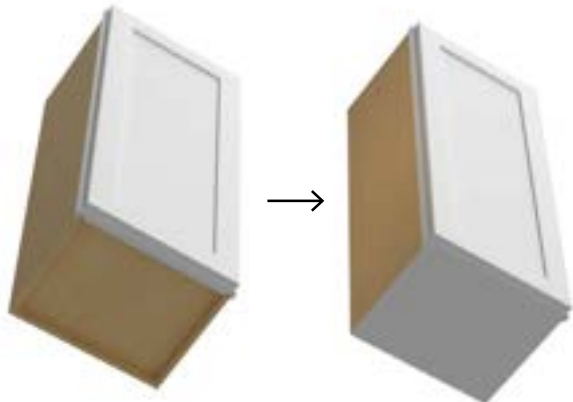


## Modifications

**ITEM**

**FLUSH-WALL BOTTOM**

- Flush the bottom of a wall cabinet
- Bottom will be finished to match exterior finish



**ITEM**

**FULL-DOORS**

- For Full Height Single Door Base - Value Premium Full-Height Base available using FULL-DOORS modification
- For Full Height Double Door Base - Value Premium Full-Height Door Modification is not available in EZPO for cabinets 24" wide and up. CUSTOM DOORS are required for cabinets 24" wide and up. Please email [customquotes@fabuwood.com](mailto:customquotes@fabuwood.com) to request a Full-Height Door Custom Cabinet through custom quotes.



**ITEM**

**FLUSH-TOE KICK**

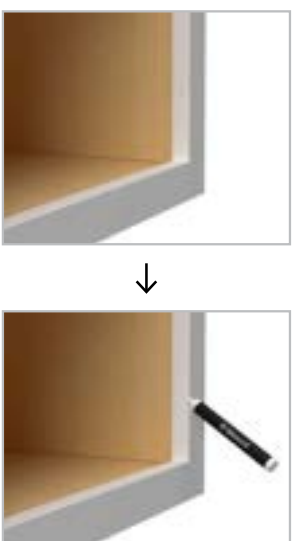
- Flush toe kick of base cabinet to face frame (sides not finished)



**ITEM**

**FILL HINGE-SEAM**

- Fills hinge holes with touch-up, seam will still be visible\*
- Hinges are removed; doors will still be included and are packaged inside the cabinet



## Modifications

**ITEM**

**CONNECT DOORS**

- *Connect doors of tall cabinet with dowels to create one larger door.*
- *CUT-DOOR & FILL HINGE-SEAM modifications cannot be used in conjunction with CONNECT DOORS*



---

## Upgrades

**GLAZE**

ITEM	DESCRIPTION
GLAZE	Custom glazes available for a charge

## Loose Parts

### LOOSE PARTS

ITEM	DESCRIPTION
SK BASE	Skin for base cabinet with adhesion
SK MC	Skin for microwave wall cabinet with adhesion
SK TALL	Skin for tall cabinet with adhesion
SK W30	Skin for 30" high wall cabinet with adhesion
SK W36	Skin for 36" high wall cabinet with adhesion
SK W42	Skin for 42" high wall cabinet with adhesion
STEM BUMPER	Individual Stem Bumper
EDGE-BAND	Additional edge banding (price per linear foot)

### RESTRICTOR CLIPS

ITEM	DESCRIPTION
BLUM-COMPACT RES CLIP 10PK	PACK OF 10 BLUM-COMPACT ANGLE RESTRICTION CLIP
BLUM-LBS RES CLIP 2PK	PACK OF 2 BLUM LSB ANGLE RESTRICTION CLIP

- *Compact Angle Restrictor Clip:*
  - BLUM Angle Restriction Clip for COMPACT BLUMOTION and COMPACT CLIP hinges.
  - Reduces swing from 110-deg to 86-deg
  - One clip required per every two hinges. For a 30" high door, use 1 clip. For 36" to 42" high Door, use 2 clips.
  - Installation Tip: Remove the door from the cabinet prior to installing the angle restriction clip. Insert the clip into the back of the cup hinge arm while it is in a 'closed' position.



BLUM-COMPACT RES CLIP

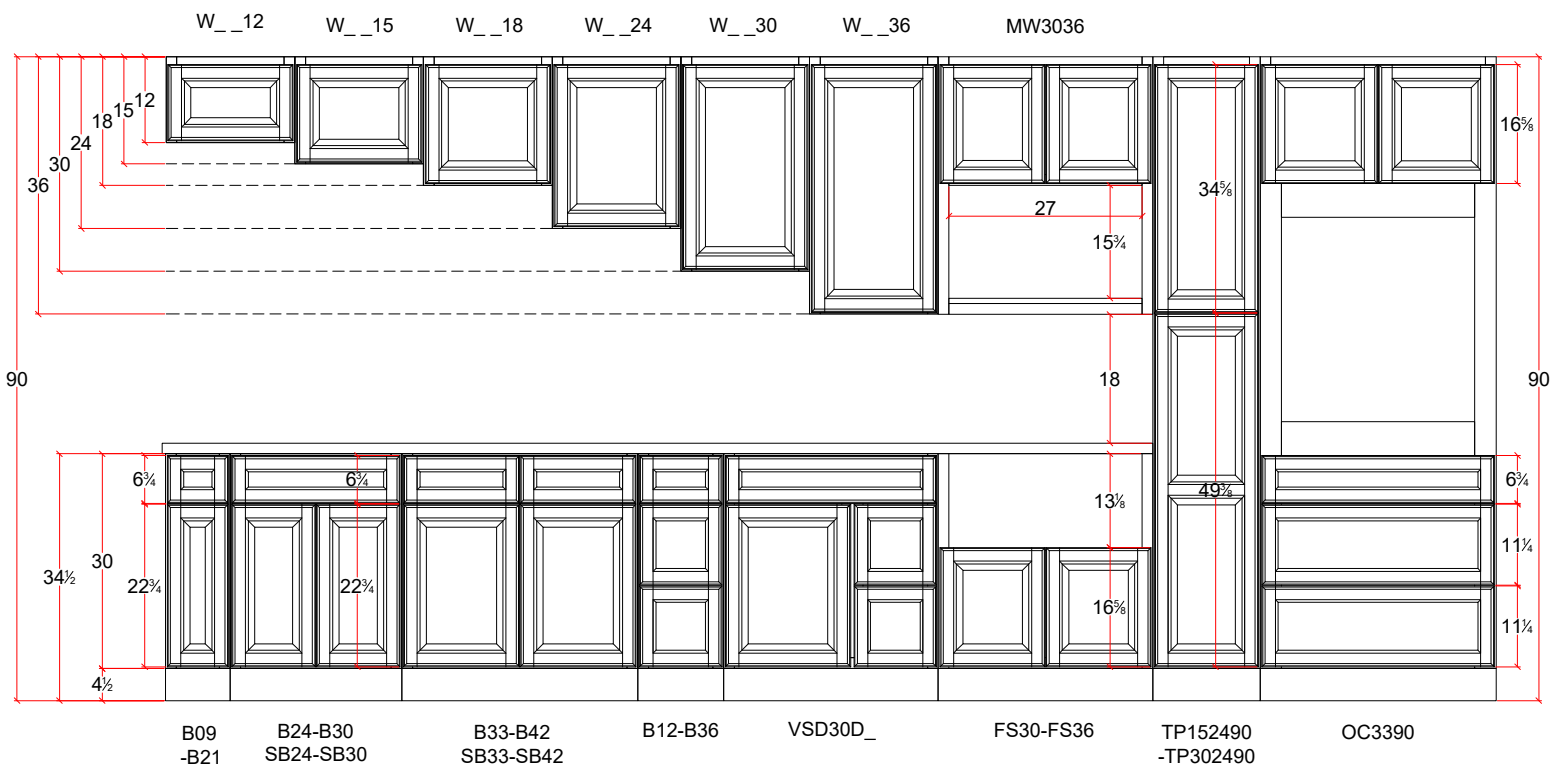


STEM BUMPER

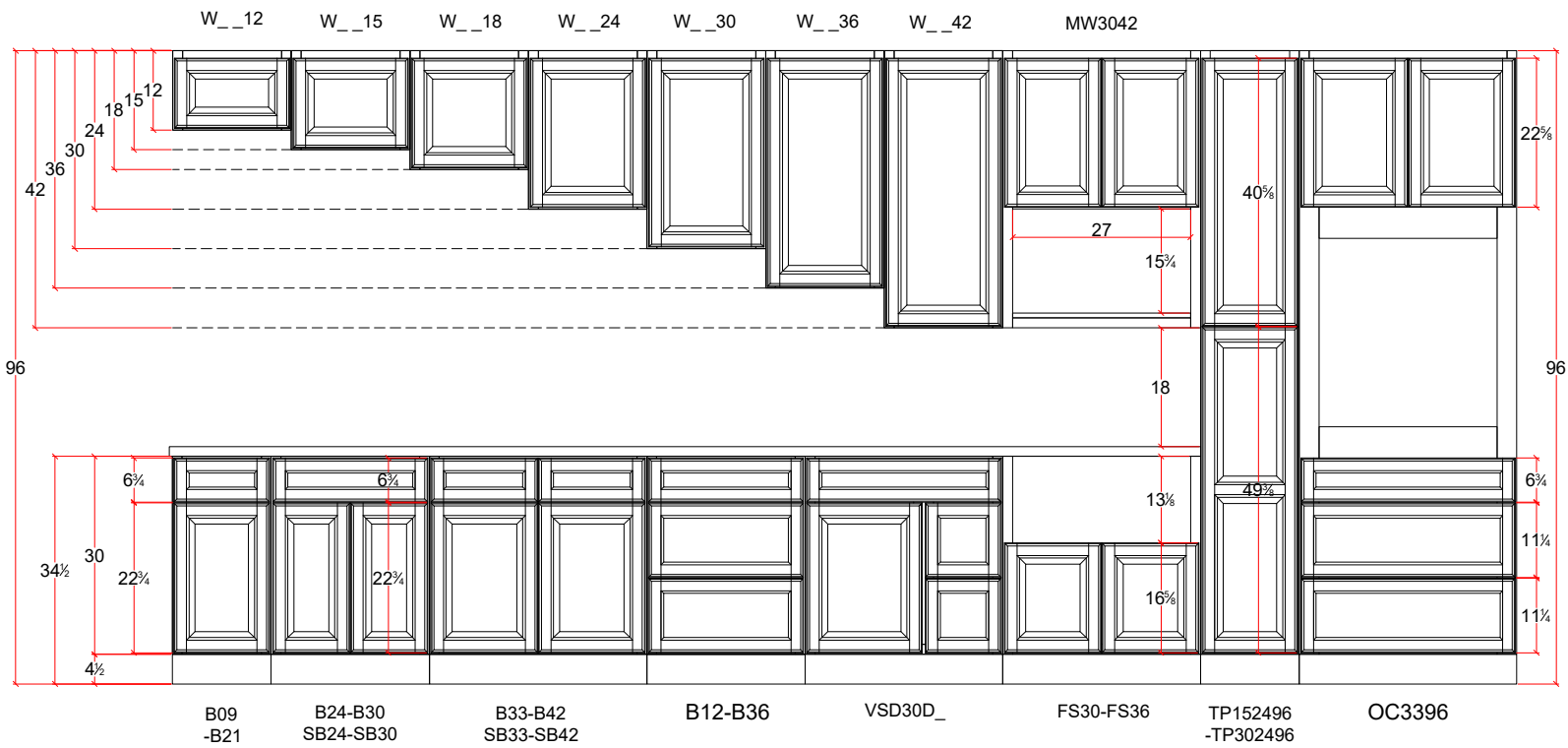
# **Height Alignment Guide**



## 90" Height Alignment



## 96" Height Alignment







Copyright © 2026 by Fabuwood Cabinetry Corp.

All rights reserved.

No part of this publication may be reproduced, distributed, or transmitted in any form or by any means, including photocopying, scanning, or other electronic or mechanical methods, including online sharing, without the prior written permission of Fabuwood Cabinetry Corp.

